

Lenovo Converged HX5510 and HX5510-C Appliances Product Guide (withdrawn product)

Lenovo Converged HX Series Nutanix Appliances are designed to help you simplify IT infrastructure, reduce costs, and accelerate time to value. These hyperconverged appliances from Lenovo combine industry-leading hyperconvergence software from Nutanix with Lenovo enterprise platforms that feature Intel Xeon processor E5-2600 v4 product family.

Several common uses for the Lenovo Converged HX5000 Series appliances that are optimized for storage-heavy workloads include file servers, on-cluster backups, and big data. Starting with as few as three nodes to keep your acquisition costs down, the HX Series is capable of immense scalability as your needs grow.

The Lenovo Converged HX5510 or HX5510-C appliance is shown in the following figure.



Figure 1. Lenovo Converged HX5510 or HX5510-C appliance

Did you know?

The Lenovo Converged HX Series appliances are built on industry-leading Lenovo servers that feature enterprise-class reliability, management, and security.

The Lenovo Converged HX Series appliances deliver the industry's most feature-rich hyperconverged infrastructure to enterprise datacenters, bringing the benefits of web-scale technologies to enterprise applications through enterprise storage, data protection, infrastructure resilience, management and analytics, and security.

Key features

The Lenovo Converged HX Series Nutanix Appliances deliver the industry's most feature-rich hyperconverged infrastructure to enterprise datacenters (shown in the following figure). Nutanix brings the benefits of web-scale technologies to enterprise applications through enterprise storage, data protection, infrastructure resilience, management and analytics, and security.

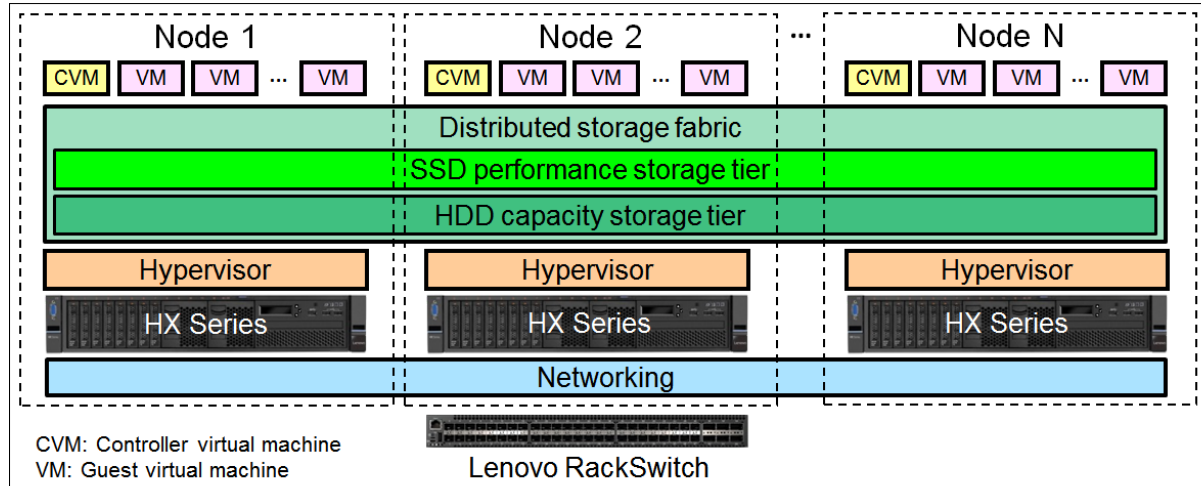


Figure 2. HX Series hyperconverged infrastructure

The Lenovo Converged HX Series appliances offer the following key features:

- Enterprise storage

The Lenovo Converged HX Series Nutanix Appliances deliver enterprise data storage as an on-demand service by employing highly distributed software architecture. The Nutanix Software eliminates the need for traditional SAN and NAS solutions, and delivers a rich set of software-defined services that are entirely VM-centric, including snapshots, high availability, disaster recovery, deduplication and more.

- Inline and post-process compression at the sub-block level increase effective storage capacity by up to four times.
- Redirect-on-write snapshots and writeable clones at the granularity of a single VM increase efficiency.
- Distributed caching of VM data improves performance in multi-reader scenarios, such as VDI with linked clones.
- Inline deduplication in the read cache and post-process deduplication in the capacity tier improve performance and effective capacity.
- Powerful acceleration capabilities such as caching, automatic data tiering and data locality speed storage performance.

- Data protection

The Nutanix Software offers a natively integrated solution for data protection and continuous availability at VM granularity. It gives administrators an affordable range of options to meet the recovery point objectives (RPO) and recovery time objectives (RTO) for different applications.

- Unlimited local backups using VM-centric snapshots and integrated workflows delivering RPO in minutes.
- Natively integrated solution for disaster recovery enables simple VM-centric backup, recovery and replication with application-level consistency.
- Built-in Cloud Connect hybrid cloud technology enables seamless backup of data to public cloud services.
- Metro availability feature provides continuous availability of data across different sites during planned maintenance or disasters through synchronous replication.
- Support for Microsoft Volume Shadow Services (VSS), VMware vStorage API for Data Protection (VADP), and seamless integration with third-party backup providers.

- Infrastructure resilience

The platform for the Lenovo Converged HX Series Nutanix Appliances is fault resistant, with no single point of failure and no bottlenecks. The system uses a shared-nothing architecture, where all data, metadata and services are distributed to all nodes within the cluster, and is built to detect, isolate and recover from failures anywhere in the system. Lenovo hyperconverged appliances deliver always-on operation, and can survive system hardware, software and hypervisor issues and maintain 100% availability to applications and data.

- Intelligent data placement in different physical failure domains, or availability domains, (for example, separate racks or power sources) delivers greater fault tolerance.
- Data and metadata replicated across multiple nodes provide user-defined resilience against hardware failures.
- Multiple copies of data ensure 100% data availability in the event that a Nutanix controller VM is unavailable due to failure or maintenance.
- Automatic integrity checks during reads and silent at-rest error detection for data consistency.

- Management and analytics

The platform for the Lenovo Converged HX Series Nutanix Appliances marries web-scale capabilities with an intuitive user-centric management experience to simplify every aspect of the IT infrastructure lifecycle. Nutanix Prism provides a single pane of glass to monitor and control one or more Nutanix clusters, with simplified workflows and rich automation for common administrative tasks.

- Elegantly simple management framework with intuitive workflows delivers radical simplicity and powerful control to IT management.
- Single pane of glass delivers centralized visibility and management of multiple Nutanix clusters across the world.
- Rich automation and intuitive workflows simplify deployment, provisioning, orchestration and maintenance of Nutanix clusters.
- End-to-end visibility of VMs, nodes and disks and the ability to visually diagnose potential issues gives administrators total infrastructure control.
- Programmatic control of every aspect of cluster management, including deployment, upgrades, data protection, and performance management enables powerful automation.
- Streamlined management for hypervisor and virtual machines on Nutanix.

- Security

Nutanix software combines powerful features, such as two-factor authentication and data-at-rest encryption, with a security development lifecycle that is integrated into product development to help customers meet the most stringent security requirements.

- Security incorporated into every step of the software development process enables verifiably secure software releases.
- Encryption of sensitive data with self-encrypting drives (SEDs) that are FIPS 140-2 Level 2 conformant supports stringent encryption requirements (support for SEDs is planned for future).
- Two-step authentication using a client certificate and username/password, along with cluster lockdown, provides protection against unauthorized access.

Components and connectors

The following figure shows the front view of the HX5510 or HX5510-C appliance.

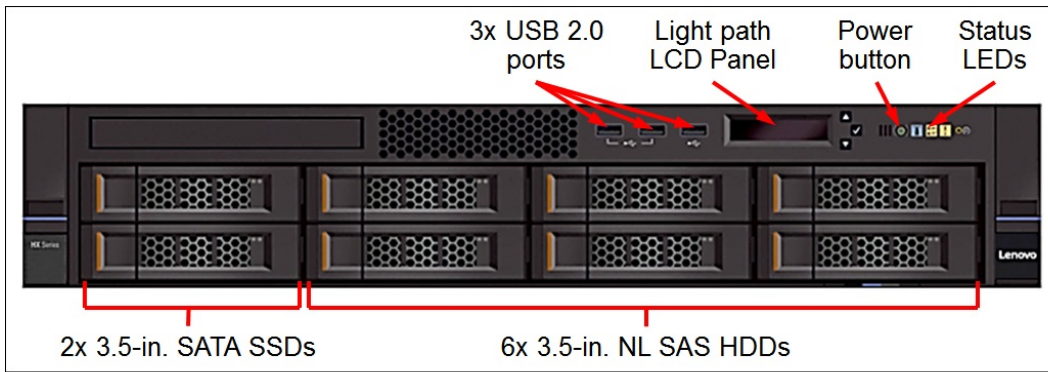


Figure 3. HX5510 or HX5510-C front view

The following figure shows the rear view of the HX5510 or HX5510-C appliance.

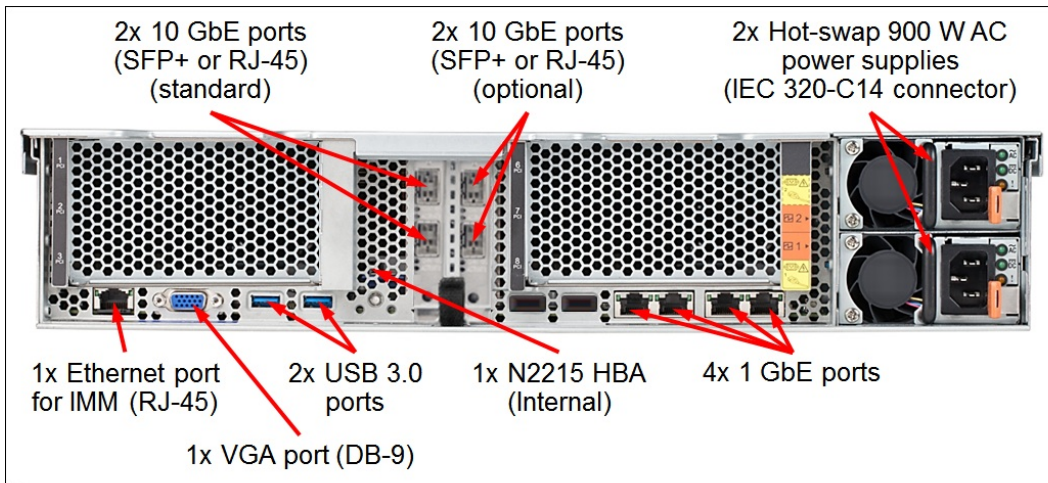


Figure 4. HX5510 or HX5510-C rear view

System specifications

The following table lists the system specifications of the Converged HX5000 Series appliances.

Table 1. System specifications

Components	Specification
Form factor	2U Rack-mount (Machine Type 8695).
Processor	<ul style="list-style-type: none"> ● HX5510: Two processors of the Intel Xeon processor E5-2600 v4 product family: <ul style="list-style-type: none"> ○ Up to 18 cores (2.3 GHz core speeds) ○ Up to 2.4 GHz core speeds (14 cores) ○ Two QPI links up to 9.6 GT/s each ○ Up to 45 MB cache ○ Up to 2400 MHz memory speed ● HX5510-C: One Intel Xeon processor E5-2630 v4.
Chipset	Intel C612.
Memory	24 DIMM sockets. Support for 16 GB and 32 GB RDIMMs or 64 GB LRDIMMs. Memory speed up to 2400 MHz.
Memory capacity	<ul style="list-style-type: none"> ● HX5510: Up to 1536 GB with 24x 64 GB LRDIMMs. ● HX5510-C: 64 GB.
Memory protection	ECC and Chipkill.
Drive bays	8x 3.5-inch SAS/SATA hot-swap
Storage capacity	<ul style="list-style-type: none"> ● HX5510: Up to 36 TB (HDD) + up to 3.2 TB (SSD) ● HX5510-C: Up to 36 TB (HDD) + 960 GB (SSD)
Storage controller	1x N2215 (12 Gbps SAS/6 Gbps SATA)
Network interfaces	<ul style="list-style-type: none"> ● One or two dual-port 10 GbE SFP+ (Intel X520) or 10GBASE-T (Intel X550-T2) adapters. ● Four integrated RJ-45 Gigabit Ethernet 1000BASE-T ports (BCM5719). ● One RJ-45 GbE systems management port.
Boot drive	1x Embedded 64 GB SSD (6 Gbps SATA DOM) connected to the onboard PCH SATA controller.
I/O expansion slots	Three slots. The slots are as follows: <ul style="list-style-type: none"> ● Slot 4: PCIe 3.0 x8; low profile (for the first 10 GbE network adapter) ● Slot 5: PCIe 3.0 x8; low profile (for the second 10 GbE network adapter) ● Slot 9: PCIe 3.0 x8 (for the N2215 storage controller)
Ports	<ul style="list-style-type: none"> ● Front: 3x USB 2.0. ● Rear: 2x USB 3.0, 1x DB-15 VGA.
Cooling	Calibrated Vectored Cooling with six redundant hot-swap system fans; two fan zones with N+1 fan redundancy.
Power supply	Two redundant hot-swap 900 W (100 - 240 V) High Efficiency Platinum AC power supplies.
Video	Matrox G200eR2 with 16 MB memory integrated into the IMM2.1. Maximum resolution is 1600x1200 at 75 Hz with 16 M colors.
Hot-swap parts	SSDs and HDDs, power supplies, and fans.
Systems management	UEFI, Integrated Management Module II (IMM2.1) (based on Renesas SH7758) with Advanced Upgrade, Predictive Failure Analysis, light path diagnostics, Lenovo XClarity, Nutanix Prism.
Security features	Power-on password, administrator's password, Trusted Platform Module (TPM) 2.0-ready.
Software	Nutanix Acropolis: Starter, Pro, and Ultimate editions.

Components	Specification
Hypervisors	<ul style="list-style-type: none"> Nutanix Acropolis Hypervisor (default factory preload). VMware ESXi 5.5 Update 3, 6.0 Update 1, and 6.0 Update 2 (optional factory preload). Optional support for Microsoft Windows Server 2012 R2 Datacenter Edition (Hyper-V) (field-installable option only).
Hardware warranty	Three-year or five-year customer-replaceable unit and onsite limited warranty with selectable service levels: 9x5 next business day (NBD), 24x7x4, and 24x7x2.
Software maintenance	Three-year or five-year software support and subscription (matches the duration of the selected warranty period).
Dimensions	Height: 87 mm (3.4 in), width: 446 mm (17.5 in), depth: 800 mm (31.5 in)
Weight	Maximum configuration: 34 kg (75 lb)

Models

The Converged HX5000 Series appliances are factory-integrated offerings; they are configured by using one of the following configuration tools:

- Lenovo Enterprise Solutions Configurator (LESC):
<http://lesc.lenovo.com>
- System x and Cluster Solutions Configurator (x-config):
<http://lesc.lenovo.com/products/hardware/configurator/worldwide/bhui/asit/>

During the configuration process, you are selecting one of the base models first, and then you are adding components (processors, memory, drives, and network adapters) to the selected model according to the output from the Nutanix Sizer tool:

<http://services.nutanix.com/>

Note: You are required to engage a Lenovo representative in the project that includes the Converged HX Series appliances.

The following table lists the base models of the Lenovo Converged HX5000 Series appliances.

Table 2. Base models of the Lenovo Converged HX5000 Series appliances

Description	Machine Type-Model
HX5510 Nutanix Appliance	8695-AC1
HX5510-C Nutanix Appliance	8695-AC2

The following table lists the default configurations of each appliance.

Table 3. Default configurations

Model	Intel Xeon processor	Memory	Storage controllers	Drives	NIC
HX5510	2x E5-2630 v4	256 GB (8x 32 GB RDIMMs)	1x N2215	6x 2 TB 3.5" HDDs 2x 480 GB 3.5" SSDs 1x 64 GB Embedded SSD (hypervisor)	2x 10 GbE
HX5510-C	1x E5-2620 v4	64 GB (4x 16 GB RDIMMs)	1x N2215	6x 4 TB 3.5" HDDs 2x 480 GB 3.5" SSDs 1x 64 GB Embedded SSD (hypervisor)	2x 10 GbE

The Lenovo Converged HX5000 Series appliances ship with the following items:

- Documentation package
- Enterprise Slides Kit
- Enterprise 2U Cable Management Arm (CMA)
- Two 2.8 m IEC 320-C13 to C14 rack power cables

It is possible to perform a hardware upgrade after the initial deployment, such as adding more memory or network adapters, by purchasing the hardware upgrade option listed in the following table.

Table 4. Hardware upgrade option

Description	Part number	Quantity
Nutanix HW Upgrade	01KT971	1

Configuration note: You should request a quote for the Nutanix HW Upgrade part number from Lenovo and provide additional details on the existing installation and planned upgrade.

Processors

The Lenovo Converged HX5510 appliance ships with two processors, and the Lenovo Converged HX5510-C appliance ships with one processor. The following table lists the processor options that are available for selection.

Table 5. Processor options

Description	Quantity	HX5510	HX5510-C
Intel Xeon Processor E5-2620 v4 8C 2.1GHz 20MB Cache 2133MHz 85W	1	N	Y
Intel Xeon Processor E5-2620 v4 8C 2.1GHz 20MB Cache 2133MHz 85W	2	Y	N
Intel Xeon Processor E5-2630 v4 10C 2.2GHz 25MB Cache 2133MHz 85W	2	Y	N
Intel Xeon Processor E5-2650 v4 12C 2.2GHz 30MB Cache 2400MHz 105W	2	Y	N
Intel Xeon Processor E5-2680 v4 14C 2.4GHz 35MB Cache 2400MHz 120W	2	Y	N
Intel Xeon Processor E5-2697 v4 18C 2.3GHz 45MB Cache 2400MHz 145W	2	Y	N

Memory

The Lenovo Converged HX5000 Series appliances support Lenovo TruDDR4 memory. TruDDR memory is selected, tested and tuned to maximize performance and reliability, and it enables extended memory performance features to support memory speeds that exceed industry standards.

The appliances support up to 24 DIMMs (12 DIMMs per processor). Each processor has four memory channels, and there are three DIMMs per channel.

The following memory protection technologies are supported:

- ECC
- Chipkill

The following table lists the memory options that are available for selection.

Table 6. Memory options

Selection option	Description	Quantity	HX5510	HX5510-C
RDIMMs				
64 GB	16GB TruDDR4 Memory (2Rx4, 1.2V) PC4-19200 CL17 2400MHz LP RDIMM	4	N	Y
128 GB	16GB TruDDR4 Memory (2Rx4, 1.2V) PC4-19200 CL17 2400MHz LP RDIMM	8	Y	N
256 GB	32GB TruDDR4 Memory (2Rx4, 1.2V) PC4-19200 CL17 2400MHz LP RDIMM	8	Y	N
384 GB	16GB TruDDR4 Memory (2Rx4, 1.2V) PC4-19200 CL17 2400MHz LP RDIMM	24	Y	N
512 GB	32GB TruDDR4 Memory (2Rx4, 1.2V) PC4-19200 CL17 2400MHz LP RDIMM	16	Y	N
768 GB	32GB TruDDR4 Memory (2Rx4, 1.2V) PC4-19200 CL17 2400MHz LP RDIMM	24	Y	N
LRDIMMs				
1024 GB	64GB TruDDR4 Memory (4Rx4, 1.2V) PC4-19200 PC4 2400MHz LP LRDIMM	16	Y	N
1536 GB	64GB TruDDR4 Memory (4Rx4, 1.2V) PC4-19200 PC4 2400MHz LP LRDIMM	24	Y	N

The following table lists supported memory configurations and maximum operating speeds.

Note: Cells highlighted with a gray background indicate when the number of DIMMs per channel allows the DIMMs to operate faster than Intel processor specifications define, while still maintaining world-class reliability.

Table 7. Maximum memory speeds

Memory capacity	DIMMs per channel	Maximum memory speed	
		2133 MHz memory controller (E5-2620 v4, E5-2630 v4)	2400 MHz memory controller (E5-2650 v4, E5-2680 v4, E5-2697 v4)
RDIMMs			
64 GB	1	2133 MHz	Not applicable
128 GB	1	2133 MHz	2400 MHz
256 GB	1	2133 MHz	2400 MHz
384 GB	3	1866 MHz	1866 MHz
512 GB	2	2133 MHz	2400 MHz
768 GB	3	1866 MHz	1866 MHz
LRDIMMs			
1024 GB	2	2133 MHz	2400 MHz
1536 GB	3	2133 MHz	2133 MHz

Internal storage

The Lenovo Converged HX5000 Series appliances support the internal drive bay configurations that are listed in the following table.

Table 8. Internal drive bay configurations

Model	Hot-swap front drive bays (main storage)		Hypervisor boot drive	
	Quantity, form factor, drive types	Storage controller	Quantity, form factor, drive type	Storage controller
HX5510	8x 3.5-inch: 6x NL SAS HDDs + 2x SATA SSDs	1x N2215	1x Embedded 64 GB SSD (6 Gbps SATA DOM)	Onboard 6 Gbps SATA
HX5510-C	8x 3.5-inch: 6x NL SAS HDDs + 2x SATA SSDs	1x N2215	1x Embedded 64 GB SSD (6 Gbps SATA DOM)	Onboard 6 Gbps SATA

The following table summarizes features of the N2215 storage controller.

Table 9. N2215 storage controller features and specifications summary

Feature	Specification
Form factor	PCIe low profile
Controller chip	LSI SAS3008
Host interface	PCIe 3.0 x8
Port interface	12 Gbps SAS
Number of ports	8
Port connectors	2x Mini-SAS HD x4 (SFF-8643)
Drive interface	SAS, SATA
Drive type	HDD, SSD
Drive form factor	SFF, LFF
RAID level	None
Cache	None

The following table lists the hard drive options that are available for selection.

Table 10. Hard drive options

Selection option	Description	Quantity	HX5510	HX5510-C
Hard drives without encryption				
12 TB	2TB 7.2K 12Gbps NL SAS 3.5" G2HS 512e HDD	6	Y	N
24 TB	4TB 7.2K 12Gbps NL SAS 3.5" G2HS 512e HDD	6	Y	Y
36 TB	6TB 7.2K 12Gbps NL SAS 3.5" G2HS 512e HDD	6	Y	Y
Self-encrypting hard drives				
12 TB	2TB 7.2K 12Gbps NL SAS 3.5" G2HS 512e FIPS 140-2 SED	6	Y	N
24 TB	4TB 7.2K 12Gbps NL SAS 3.5" G2HS FIPS 140-2 SED	6	Y	Y
36 TB	6TB 7.2K 12Gbps NL SAS 3.5" G2HS 512e FIPS 140-2 SED	6	Y	Y

The following table lists the solid-state drive options that are available for selection.

Table 11. Solid-state drive options

Selection option	Description	Quantity	HX5510	HX5510-C
Solid-state drives without encryption				
960 GB	Intel S3610 480GB Enterprise Mainstream SATA G3HS 3.5" SSD	2	Y	Y
1600 GB	Intel S3610 800GB Enterprise Mainstream SATA G3HS 3.5" SSD	2	Y	N
2400 GB	Intel S3610 1.2TB Enterprise Mainstream SATA G3HS 3.5" SSD	2	Y	N
3200 GB	Intel S3610 1.6TB Enterprise Mainstream SATA G3HS 3.5" SSD	2	Y	N
Self-encrypting solid-state drives				
800 GB	HGST SSC+ 400GB 12Gb SAS FIPS SED 3.5" Enterprise HS SSD	2	Y	Y
1600 GB	HGST SSC+ 800GB 12Gb SAS FIPS SED 3.5" Enterprise HS SSD	2	Y	N
3200 GB	HGST SSC+ 1.6TB 12Gb SAS FIPS SED 3.5" Enterprise HS SSD	2	Y	N

Note: Self-encrypting drives and drives without encryption (HDDs and SSDs) cannot be intermixed in the same appliance, that is, all drives in the appliance (HDDs and SSDs) should be either self-encrypting or without encryption.

Network connectivity

The Lenovo Converged HX5000 Series appliances provide two- or four-port 10 GbE network connectivity. 10 GbE network connectivity can be configured by selecting one or two Intel X520 adapters that provide two 10 GbE ports with SFP+ connectors each, or Intel X550-T2 adapters that provide two 10 GbE ports with RJ-45 connectors each.

The onboard 1 GbE network interface controller (NIC) that is based on the Broadcom BCM5719 chip provides four 10/100/1000 Mb Ethernet ports with RJ-45 connectors. 10 GbE ports are bonded with the 1 GbE ports on the system board.

The following table lists the 10 GbE network adapter options that are available for selection.

Note: The Intel X520 and X550-T2 adapters cannot be intermixed in the same appliance, that is, either X520 or X550-T2 adapter can be selected for the appliance, but not both adapter types.

Table 12. Network adapter options

Description	Quantity (min / max)
Intel X520 2x10GbE SFP+ Adapter (SFP+ connectors)	1 / 2
Intel X550-T2 Dual Port 10GBase-T Adapter (RJ-45 connectors)	1 / 2

The following table summarizes features of the 10 GbE network adapters.

Table 13. 10 GbE network adapter features and specifications summary

Feature	X520	X550-T2
Form factor	PCIe low profile	PCIe low profile
Controller chip	Intel 82559	Intel X550
Host interface	PCIe 2.0 x8	PCIe 3.0 x4
Port interface	10 GbE	10 GbE
Number of ports	2	2
Port connector	SFP+	RJ-45
Port speeds	10 Gbps	100 Mbps, 1 Gbps, 10 Gbps

The SFP+ adapters require SFP+ transceivers or direct-attach copper (DAC) cables that must be ordered separately (two SFP+ transceivers or DAC cables per adapter). The following table lists supported SFP+ transceiver and cable options.

Table 14. SFP+ transceivers and cable options

Description	Part number	Feature code	Quantity per adapter
SFP+ transceivers - 10 GbE			
Lenovo 10GBASE-SR SFP+ Transceiver	46C3447	5053	2
QLogic 10Gb SFP+ SR Optical Transceiver	49Y4218	0064	2
Optical cables for 10 GbE SFP+ SR transceivers			
Lenovo 0.5m LC-LC OM3 MMF Cable	00MN499	ASR5	2
Lenovo 1m LC-LC OM3 MMF Cable	00MN502	ASR6	2
Lenovo 3m LC-LC OM3 MMF Cable	00MN505	ASR7	2
Lenovo 5m LC-LC OM3 MMF Cable	00MN508	ASR8	2
Lenovo 10m LC-LC OM3 MMF Cable	00MN511	ASR9	2
Lenovo 15m LC-LC OM3 MMF Cable	00MN514	ASRA	2
Lenovo 25m LC-LC OM3 MMF Cable	00MN517	ASRB	2
Lenovo 30m LC-LC OM3 MMF Cable	00MN520	ASRC	2
SFP+ passive direct-attach cables - 10 GbE			
Lenovo 0.5m Passive SFP+ DAC Cable	00D6288	A3RG	2
Lenovo 1m Passive SFP+ DAC Cable	90Y9427	A1PH	2
Lenovo 1.5m Passive SFP+ DAC Cable	00AY764	A51N	2
Lenovo 2m Passive SFP+ DAC Cable	00AY765	A51P	2
Lenovo 3m Passive SFP+ DAC Cable	90Y9430	A1PJ	2
Lenovo 5m Passive SFP+ DAC Cable	90Y9433	A1PK	2
Lenovo 7m Passive SFP+ DAC Cable	00D6151	A3RH	2

Hypervisors

The Lenovo Converged HX5000 Series appliances support the following hypervisors:

- Nutanix Acropolis Hypervisor (AHV)
- VMware ESXi 5.5 Update 3
- VMware ESXi 6.0 Update 1
- VMware ESXi 6.0 Update 2
- Microsoft Windows Server 2012 R2 DataCenter Edition (Hyper-V)

Notes:

- The HX Series appliances ship with Nutanix AHV (default) or VMware ESXi (optional) preloaded.
- Microsoft Hyper-V is supported as a field-installable option only.

Software

The Lenovo Converged HX5000 Series appliances can be configured with one of the Nutanix Software editions that are listed in the following table. The Starter edition is factory-preloaded and the appropriate license can be downloaded from the Nutanix website to match the serial number of the appliance.

Table 15. Nutanix software options

Description	Quantity
Nutanix Starter Edition	1
Nutanix Pro Edition (default selection)	1
Nutanix Ultimate Edition	1

The Starter edition offers the core set of Nutanix software functionality. This edition is ideal for small-scale deployments with a limited set of workloads.

The Pro edition offers rich data services, along with resilience and management features. This edition is ideal for enterprises running multiple applications or large-scale single workload on a Nutanix cluster.

The Ultimate edition offers the full suite of Nutanix software capabilities to tackle complex infrastructure challenges. This edition is ideal for multi-site deployments.

It is possible to upgrade a software edition after the installation by purchasing one of the software upgrade options listed in the following table.

Table 16. Nutanix software upgrade options

Description	Part number
Nutanix Starter to Pro Upgrade	01GU985
Nutanix Starter to Ultimate Upgrade	01GU986
Nutanix Pro to Ultimate Upgrade	01GU987

Configuration note: You should request a quote for the selected Nutanix SW Upgrade part number from Lenovo and provide additional details on the existing installation and planned upgrade.

The following table compares features of the Nutanix software editions.

Table 17. Nutanix software editions feature comparison

Feature	Nutanix software edition		
	Starter	Pro	Ultimate
Enterprise storage			
Cluster size	12 nodes max	Unlimited	Unlimited
Heterogeneous clusters	Yes	Yes	Yes
VM-centric snapshots and clones	Yes	Yes	Yes
Volume groups	Yes	Yes	Yes
Data tiering	Yes	Yes	Yes
Online cluster grow/shrink	Yes	Yes	Yes
Acropolis container services	Yes	Yes	Yes
Inline compression	Yes	Yes	Yes
Inline performance deduplication	Yes	Yes	Yes
MapReduce compression	No	Yes	Yes
MapReduce deduplication	No	Yes	Yes
Erasur Coding (EC-X)	No	Yes	Yes
Acropolis block services	No	Yes	Yes
Acropolis file services	No	No	Yes
VM Flash Mode (Pin to SSD)	No	No	Yes
Infrastructure resilience			
Data path redundancy	Yes	Yes	Yes
Redundancy factor	2 (Fixed)	2 or 3 (Tunable)	2 or 3 (Tunable)
Availability domains	No	Yes	Yes
Data protection			
Asynchronous replication and disaster recovery (DR)	Yes	Yes	Yes
Application-consistent snapshots	Yes	Yes	Yes
Time Stream (Converged local backups)	Yes	Yes	Yes
VSS integration	No	Yes	Yes
Cloud Connect (Backup to public clouds)	No	Yes	Yes
Self-service restore	No	Yes	Yes
Multiple site DR (many to many)	No	No	Yes
Metro availability	No	No	Yes
Synchronous replication and disaster recovery	No	No	Yes
Security			
Client authentication	Yes	Yes	Yes
Cluster lockdown	No	Yes	Yes
Data-at-rest encryption	No	No	Yes*
Management and analytics			
Prism Starter (Single- and multi-cluster management)	Yes	Yes	Yes
Pulse (Automated service agent)	Yes	Yes	Yes

Feature	Nutanix software edition		
	Starter	Pro	Ultimate
Cluster health	Yes	Yes	Yes
One-click upgrades (Nutanix OS and Hypervisor)	Yes	Yes	Yes
Rest APIs	No	Yes	Yes
Virtualization			
VMware vSphere support	Yes	Yes	Yes
Microsoft Hyper-V support	Yes	Yes	Yes
Built-in Acropolis Hypervisor	Yes	Yes	Yes
VM operations	Yes	Yes	Yes
Intelligent VM placement	Yes	Yes	Yes
Virtual network configuration	Yes	Yes	Yes
Host profiles	Yes	Yes	Yes
VM high availability	Yes	Yes	Yes
Self-service portal	Yes	Yes	Yes

* Data-at-rest encryption requires self-encrypting drives (SEDs).

Systems management

The Lenovo Converged HX5000 Series appliances support the following systems management tools:

- Integrated Management Module
- Light path diagnostics
- Lenovo XClarity Administrator
- Nutanix Prism
- Lenovo XClarity Energy Manager

Integrated Management Module

The Lenovo Converged HX5000 Series appliances contain Integrated Management Module II (IMM2.1), which provides advanced service-processor control, monitoring, and an alerting function. If an environmental condition exceeds a threshold or if a system component fails, the IMM2 lights LEDs to help you diagnose the problem, records the error in the event log, and alerts you to the problem. The Integrated Management Module Advanced Upgrade comes standard with the appliances, and it provides a virtual presence for remote management capabilities of the appliances.

The IMM provides remote appliance management through industry-standard interfaces:

- Intelligent Platform Management Interface (IPMI) Version 2.0
- Simple Network Management Protocol (SNMP) Version 3
- Common Information Model (CIM)
- Web browser

The remote presence feature provides the following functions:

- Remotely viewing video with graphics resolutions up to 1600x1200 at 75 Hz with up to 23 bits per pixel colors, regardless of the system state
- Remotely accessing the appliance using the keyboard and mouse from a remote client
- Mapping the CD or DVD drive, diskette drive, and USB flash drive on a remote client, and mapping ISO and diskette image files as virtual drives that are available for use by the appliance
- Uploading a diskette image to the IMM memory and mapping it to the appliance as a virtual drive

Light path diagnostics

The Lenovo Converged HX5000 Series include basic light path diagnostics, which includes system LEDs on the front of the appliance and LEDs near the monitored components (for example, the DIMM error LED on the system board).

The Lenovo Converged HX5000 Series also include a next-gen light path diagnostics LCD display panel. With LCD display, customers have quick access to system status, firmware, network, and health information.

Lenovo XClarity

Lenovo XClarity is a centralized systems management solution that helps administrators deliver infrastructure faster. This solution integrates easily with Lenovo System x M5 and X6 rack servers, Converged HX Series appliances, and Flex System, providing automated agent-less discovery, monitoring, firmware updates, configuration management, and bare metal deployment of operating systems and hypervisors across multiple systems.

Lenovo XClarity is an optional software component for the Lenovo Converged HX Series appliances which can be used to manage firmware upgrades outside of the Nutanix Prism software.

Notes:

- Lenovo XClarity Administrator can be downloaded and used at no charge to discover and monitor HX Series appliances and manage firmware upgrades for them.
- Optional Lenovo XClarity Pro subscription license that can be selected in the configurator provides software support for XClarity Administrator and XClarity Integrators for the duration of the selected warranty period. If Lenovo XClarity software support is required, the XClarity Pro option must be selected.

Lenovo XClarity Administrator is available from Lenovo at no charge, and it offers the following features:

- Auto-discovery and monitoring of Converged HX Series appliances
- Firmware updates and compliance enforcement
- External alerts and notifications via SNMP traps, syslog remote logging, and e-mail
- Secure connections to managed endpoints
- NIST 800-131A or FIPS 140-2 compliant cryptographic standards between the management solution and managed endpoints
- Integration into existing higher level management systems such as cloud automation and orchestration tools through REST APIs, providing extensive external visibility and control over hardware resources
- An intuitive, easy-to-use GUI
- Scripting support with Windows PowerShell, providing command-line visibility and control over hardware resources

In addition, Lenovo XClarity Administrator offers two software plug-in modules (Lenovo XClarity Integrators) at no charge:

- Lenovo XClarity Integrator for Microsoft System Center
- Lenovo XClarity Integrator for VMware vCenter

Lenovo XClarity Integrators allow administrators to manage physical infrastructure from leading external virtualization management software tools from Microsoft and VMware.

Lenovo XClarity Integrators offer the following additional features:

- Ability to discover, manage, and monitor Lenovo server hardware from VMware vCenter or Microsoft System Center
- Deployment of firmware updates to Converged HX Series appliances from the virtualization management tool
- Non-disruptive server maintenance in clustered environments that reduces workload downtime by dynamically migrating workloads from affected hosts during rolling server updates or reboots
- Greater service level uptime and assurance in clustered environments during unplanned hardware events by dynamically triggering workload migration from impacted hosts when impending hardware failures are predicted

Nutanix Prism

Nutanix Prism gives administrators a simple and elegant way to manage virtual environments. Powered by advanced data analytics and heuristics, Prism simplifies and streamlines common workflows within a datacenter eliminating the need to have disparate management solutions.

Nutanix Prism is a part of the Nutanix software preloaded on the appliances, and it includes the following components:

- Prism Starter (included in Starter, Pro, and Ultimate Nutanix software editions): Provides ability to configure, manage, and monitor a Nutanix cluster and centralized management of multiple local and remote Nutanix clusters.
- Prism Pro (Selectable software license; optional): Enables efficiency evaluation, capacity planning, expansion recommendations, custom dashboards, and advanced search capabilities.

The Prism Pro software license can be selected during the initial purchase. Also, Prism Starter can be upgraded to Prism Pro after the initial deployment by purchasing one of the software license options listed in the following table.

Table 18. Prism Pro software license options

Description	Part number	Quantity
Nutanix Prism Pro with 1Yr Support	01GU988	1
Nutanix Prism Pro with 2Yr Support	01GU989	1
Nutanix Prism Pro with 3Yr Support	01GU990	1
Nutanix Prism Pro with 4Yr Support	01GU991	1
Nutanix Prism Pro with 5Yr Support	01GU992	1

Configuration note: You should request a quote for the selected Prism Pro part number from Lenovo and provide additional details on the existing installation.

Nutanix Prism offers the following features:

- Single point of control
 - Accelerates enterprise-wide deployment
 - Manages capacity centrally
 - Adds nodes in minutes
 - Supports non-disruptive software upgrades with zero downtime
 - Integrates with REST APIs and PowerShell
- Monitoring and alerting
 - Tracks infrastructure utilization (storage, processor, memory)
 - Centrally monitors multiple clusters across multiple sites
 - Monitors per-VM performance and resource usage
 - Checks system health
 - Generates alerts and notifications
- Integrated data protection
 - Offers customizable RPO/RTO and retention policies
 - Supports configurable per-VM replication (1:1, 1:many and many:1)
 - Provides efficient VM recovery
 - Deploys affordable DR and backup to the cloud
- Diagnostics and troubleshooting
 - Provides time-based historical views of VM activity
 - Performs proactive alert analysis
 - Correlates alerts and events to quickly diagnose issues
 - Generates actionable alerts and reduces resolution times
 - Analyzes trending patterns for accurate capacity planning

Lenovo XClarity Energy Manager

Lenovo XClarity Energy Manager offers the following capabilities:

- Reports vital server information, such as power, temperature and resource utilization
- Monitors inlet temperature to locate hot spots, reducing the risk of data or device damage
- Provides finely-grained controls to limit platform power in compliance with IT policy
- Generates alerts when a user-defined threshold is reached

Lenovo XClarity Energy Manager is an optional, separately orderable software component for the Lenovo Converged HX Series appliances that is licensed on a per managed node basis; that is, each managed system requires a license.

The following table lists the geo-specific Lenovo XClarity Energy Manager software license options.

Table 19. Lenovo XClarity Energy Manager software options

Description	Part number (NA, AP, Japan)*	Part number (EMEA, LA)**
Lenovo XClarity Energy Manager, 1 Node w/ 1 Yr S&S	01DA225	01DA228
Lenovo XClarity Energy Manager, 5 Nodes w/ 1 Yr S&S	01DA226	01DA229
Lenovo XClarity Energy Manager, 50 Nodes w/ 1 Yr S&S	01DA227	01DA230

* NA = North America; AP = Asia Pacific

** EMEA = Europe, Middle East, Africa; LA = Latin America

Physical specifications

The Lenovo Converged HX5510 and HX5510-C appliances have the following dimensions and weight (approximate):

- Height: 87 mm (3.4 in.)
- Width: 446 mm (17.5 in.)
- Depth: 800 mm (31.5 in.)
- Weight (maximum): 34 kg (75 lb)

Operating environment

The Lenovo Converged HX5510 and HX5510-C appliances are supported in the following environment:

- Air temperature:
 - System on: 5 °C to 40 °C (41 °F to 104 °F); altitude: 0 to 950 m (3,117 ft); decrease the maximum system temperature by 1 °C for every 175-m increase in altitude above 950 m.
 - System off: 5 °C to 45 °C (41 °F to 113 °F)
 - Shipment: -40 °C to +60 °C (-40 °F to 140 °F) at up to 10,700 m (35,105 ft)
- Maximum altitude: 3,050 m (10,000 ft) at 5 °C to 28 °C (41 °F to 82 °F)
- Humidity:
 - System on: 8% to 85%, maximum dew point 24 °C, maximum rate of change 5 °C/hr
 - System off: 8% to 85%, maximum dew point 27 °C
- Design to ASHRAE Class A3, ambient of 36 °C to 40 °C (96.8 °F to 104 °F), with relaxed support:
 - Supports cloud-like workload with no performance degradation acceptable (Turbo-Off).
 - Under no circumstance can any combination of worst-case workload and configuration result in system shutdown or design exposure at 40 °C.
 - The worst-case workload (like Linpack, Turbo-On) might have performance degradation.
- Electrical:
 - 100 to 127 (nominal) V AC; 50 Hz or 60 Hz; 10.0 A
 - 200 to 240 (nominal) V AC; 50 Hz or 60 Hz; 5.0 A
 - Input kilovolt-amperes (kVA) (approximately): 1.188 kVA
- BTU output (maximum): 4053 Btu/hr (1188 watts)
- Noise level:
 - 6.6 bels (operating)
 - 6.4 bels (idle)

Regulatory compliance

The Lenovo Converged HX5510 and HX5510-C appliances conform to the following regulations:

- AS/NZS CISPR 22, Class A (Australia/New Zealand)
- BSMI CNS 13438, Class A; CNS 14336 (Taiwan)
- CCC GB 4943.1, GB 17625.1, GB 9254 Class A (China)
- CE Mark (European Union)
- CISPR 22, Class A
- EAC (Russia)
- EN 55022, Class A
- EN 55024
- EN/IEC 61000-3-2
- EN/IEC 61000-3-3
- EN/IEC/CSA/UL 60950-1
- Energy Star 2.0
- FCC Part 15, Class A (United States)
- GS/TUV (Germany)
- ICES-003/NMB-03, Class A (Canada)
- MSIP (Korea)
- NOM-019 (Mexico)
- Reduction of Hazardous Substances (ROHS)
- TUV S (Argentina)
- VCCI, Class A (Japan)

Hardware warranty

The Lenovo Converged HX5000 Series appliances can be configured with a three-year or five-year hardware warranty and software support with standard call center support and various levels of coverage with a well-defined scope of services, including service hours, response time, term of service, and service agreement terms and conditions.

The Lenovo local support centers perform problem determination and resolution for hardware-related issues and escalate to Nutanix, on behalf of the customer, for software-related problem determination. Nutanix will contact the customer and will own the software-related problem resolution until closure.

Note: Lenovo warranty service coverage levels are region-specific. Not all warranty service levels are available in every region.

The following table explains warranty service definitions in more detail.

Table 20. Warranty service definitions

Term	Description
Onsite Service	If a problem with your product cannot be resolved via telephone, a Service Technician will be dispatched to arrive at your location.
Parts Delivered	If a problem with your product cannot be resolved via telephone and a CRU part is required, Lenovo will send a replacement CRU to arrive at your location. If a problem with your product cannot be resolved via telephone and a FRU part is required, a Service Technician will be dispatched to arrive at your location.
Technician Installed Parts	If a problem with your product cannot be resolved via telephone, a Service Technician will be dispatched to arrive at your location.
Hours of coverage	<ul style="list-style-type: none"> • 9x5: 9 hours per day, 5 days per week, during normal business hours, excluding local public and national holidays • 24x7: 24 hours per day, 7 days per week, 365 days per year.

Term	Description
Response time target	2 hours, 4 hours, or Next Business Day: The time period from when the telephone based troubleshooting is completed and logged, to the delivery of the CRU or arrival of a Service Technician and part at the Customer's location for repair.
Committed Repair	6 hours: The time period between the service request registration in Lenovo's call management system and the restoration of the product to conformance with its specification by a Service Technician.

In general, the following Lenovo warranty service levels are available for the Converged HX Series appliances:

- Three or five years of 9x5 or 24x7 service coverage
- Parts delivered or technician installed parts from next business day to 4 or 2 hours
- Committed Service Repair
Committed Service Repair (CSR) enhances the level of Warranty Service Upgrade or Post Warranty/Maintenance Service offering associated with the selected systems. Offerings vary and are available in select regions.
 - Priority handling to meet defined time frames to restore the failing machine to good working condition
 - 24x7x6 committed repair: Service performed 24 hours per day, 7 days per week, within 6 hours
- YourDrive YourData
Lenovo's YourDrive YourData service is a multi-drive retention offering that ensures your data is always under your control, regardless of the number of drives that are installed in your Lenovo server. In the unlikely event of a drive failure, you retain possession of your drive while Lenovo replaces the failed drive part. Your data stays safely on your premises, in your hands. The YourDrive YourData service can be purchased in convenient bundles with Lenovo warranty upgrades and extensions.

Software maintenance

The Lenovo Converged HX5000 Series appliances include a three-year or five-year software support and subscription (matches the duration of the selected hardware warranty period) that entitles you to submit service requests to troubleshoot Nutanix software issues and receive code updates, including fixes, patches, and new software releases.

The Lenovo local support centers perform problem determination and resolution for hardware-related issues and escalate to Nutanix, on behalf of the customer, for software-related problem determination. Nutanix will contact the customer and will own the software-related problem resolution until closure.

Software support that is provided by Nutanix includes 24x7 phone and web coverage with the following target response times (priorities are assigned by Nutanix based on the impact on productivity):

- Priority 1 (Emergency: Productivity halted): 2 hours
- Priority 2 (Critical: Significant impact on productivity): 4 hours
- Priority 3 (Normal: Minimal impact on productivity): 8 hours (by next business day)

Ethernet LAN switches

The following table lists the Ethernet LAN switches that are offered by Lenovo that can be used in Lenovo Converged HX Series solutions.

Table 21. Ethernet LAN switches

Description	Part number	Feature code
1 Gb Ethernet switches (IPMI management and 1 GbE host connectivity)		
Lenovo RackSwitch G7028 (Rear to Front)	7159BAX	AT09
Lenovo RackSwitch G7052 (Rear to Front)	7159CAX	AT0A
Lenovo RackSwitch G8052 (Rear to Front)	7159G52	ASY2
10 Gb Ethernet switches (10 GbE host connectivity)		
Lenovo ThinkSystem NE1032 RackSwitch (Rear to Front)	7159A1X	AU3A
Lenovo ThinkSystem NE1032T RackSwitch (Rear to Front)	7159B1X	AU38
Lenovo ThinkSystem NE1072T RackSwitch (Rear to Front)	7159C1X	AU36
Lenovo RackSwitch G8124E (Rear to Front)	7159BR6	AT0B
Lenovo RackSwitch G8272 (Rear to Front)	7159CRW	ASRD
Lenovo RackSwitch G8296 (Rear to Front)	7159GR6	ASVM
40 Gb Ethernet switches (40 GbE aggregation layer; 10 GbE breakout host connectivity)		
Lenovo RackSwitch G8332 (Rear to Front)	7159BRX	ASY4
100 Gb Ethernet switches (40 GbE/100 GbE aggregation layer; 10 GbE breakout host connectivity)		
Lenovo ThinkSystem NE10032 RackSwitch (Rear to Front)	7159D1X	AV17

For more information, see the list of Product Guides in the Top-of-rack Switches category:

<http://lenovopress.com/servers/options/switches>

Rack cabinets

The following table lists the rack cabinets that are offered by Lenovo that can be used in Lenovo Converged HX Series solutions.

Table 22. Rack cabinets

Description	Part number	Feature code
25U S2 Standard Rack (1000 mm deep; 2 sidewall compartments)	93072RX	1042
25U Static S2 Standard Rack (1000 mm deep; 2 sidewall compartments)	93072PX	6690
42U S2 Standard Rack (1000 mm deep; 6 sidewall compartments)	93074RX	1043
42U 1100mm Enterprise V2 Dynamic Rack (6 sidewall compartments)	93634PX	A1RC
42U 1100mm Enterprise V2 Dynamic Expansion Rack (6 sidewall compartments)	93634EX	A1RD
42U 1200mm Deep Dynamic Rack (6 sidewall compartments)	93604PX	7649
42U 1200mm Deep Static Rack (6 sidewall compartments)	93614PX	7651
42U Enterprise Rack (1105 mm deep; 4 sidewall compartments)	93084PX	5621
42U Enterprise Expansion Rack (1105 mm deep; 4 sidewall compartments)	93084EX	5622

For more information, see the list of Product Guides in the Rack Cabinets category:
<http://lenovopress.com/servers/options/racks>

Power distribution units

The following table lists the power distribution units (PDUs) that are offered by Lenovo that can be used in Lenovo Converged HX Series solutions.

Table 23. Power distribution units

Description	Part number	Feature code
0U Basic PDUs		
0U 36 C13/6 C19 24A/200-240V 1 Phase PDU with NEMA L6-30P line cord	00YJ776	ATZY
0U 36 C13/6 C19 32A/200-240V 1 Phase PDU with IEC60309 332P6 line cord	00YJ777	ATZZ
0U 21 C13/12 C19 32A/200-240V/346-415V 3 Phase PDU with IEC60309 532P6 cord	00YJ778	AU00
0U 21 C13/12 C19 48A/200-240V 3 Phase PDU with IEC60309 460P9 line cord	00YJ779	ATZX
Switched and Monitored PDUs		
0U 20 C13/4 C19 Switched and Monitored 24A/200-240V/1Ph PDU w/ NEMA L6-30P cord	00YJ781	AU03
0U 20 C13/4 C19 Switched / Monitored 32A/200-240V/1Ph PDU w/ IEC60309 332P6 cord	00YJ780	AU01
0U 18 C13/6 C19 Sw. / Mon. 32A/200-240/346-415V/3Ph PDU w/ IEC60309 532P6 cord	00YJ782	AU02
0U 12 C13/12 C19 Switched / Monitored 48A/200-240V/3Ph PDU w/ IEC60309 460P9 cord	00YJ783	AU04
1U 9 C19/3 C13 Switched and Monitored DPI PDU (without line cord)	46M4002	5896
1U 9 C19/3 C13 Switched and Monitored 60A 3Ph PDU with IEC 309 3P+Gnd cord	46M4003	5897
1U 12 C13 Switched and Monitored DPI PDU (without line cord)	46M4004	5894
1U 12 C13 Switched and Monitored 60A 3 Phase PDU with IEC 309 3P+Gnd line cord	46M4005	5895
Ultra Density Enterprise PDUs (9x IEC 320 C13 + 3x IEC 320 C19 outlets)		
Ultra Density Enterprise C19/C13 PDU Module (without line cord)	71762NX	6050

Description	Part number	Feature code
Ultra Density Enterprise C19/C13 PDU 60A/208V/3ph with IEC 309 3P+Gnd line cord	71763NU	6051
C13 Enterprise PDUs (12x IEC 320 C13 outlets)		
DPI C13 Enterprise PDU+ (without line cord)	39M2816	6030
DPI Single Phase C13 Enterprise PDU (without line cord)	39Y8941	6010
C19 Enterprise PDUs (6x IEC 320 C19 outlets)		
DPI Single Phase C19 Enterprise PDU (without line cord)	39Y8948	6060
DPI 60A 3 Phase C19 Enterprise PDU with IEC 309 3P+G (208 V) fixed line cord	39Y8923	6061
Front-end PDUs (3x IEC 320 C19 outlets)		
DPI 30amp/125V Front-end PDU with NEMA L5-30P line cord	39Y8938	6002
DPI 30amp/250V Front-end PDU with NEMA L6-30P line cord	39Y8939	6003
DPI 32amp/250V Front-end PDU with IEC 309 2P+Gnd line cord	39Y8934	6005
DPI 60amp/250V Front-end PDU with IEC 309 2P+Gnd line cord	39Y8940	6004
DPI 63amp/250V Front-end PDU with IEC 309 2P+Gnd line cord	39Y8935	6006
Universal PDUs (7x IEC 320 C13 outlets)		
DPI Universal 7 C13 PDU (with 2 m IEC 320-C19 to C20 rack power cord)	00YE443	5950
NEMA PDUs (6x NEMA 5-15R outlets)		
DPI 100-127V PDU with fixed NEMA L5-15P line cord	39Y8905	5900
Line cords for PDUs that ship without a line cord		
DPI 30a Line Cord (NEMA L6-30P)	40K9614	6500
DPI 32a Line Cord (IEC 309 P+N+G)	40K9612	6502
DPI 32a Line Cord (IEC 309 3P+N+G)	40K9611	6504
DPI 60a Cord (IEC 309 2P+G)	40K9615	6501
DPI 63a Cord (IEC 309 P+N+G)	40K9613	6503
DPI Australian/NZ 3112 Line Cord (32A)	40K9617	6505
DPI Korean 8305 Line Cord (30A)	40K9618	6506

For more information, see the list of Product Guides in the Power Distribution Units category:
<http://lenovopress.com/servers/options/pdu>

Uninterruptible power supply units

The following table lists the uninterruptible power supply (UPS) units that are offered by Lenovo that can be used in Lenovo Converged HX Series solutions.

Table 24. Uninterruptible power supply units

Description	Part number	Feature code
RT1.5kVA 2U Rack or Tower UPS (100-125VAC) (8x NEMA 5-15R 12A outlets)	55941AX	A53S
RT1.5kVA 2U Rack or Tower UPS (200-240VAC) (8x IEC 320 C13 10A outlets)	55941KX	A53T
RT2.2kVA 2U Rack or Tower UPS (100-125VAC) (8x NEMA 5-20R 16A outlets)	55942AX	A53U
RT2.2kVA 2U Rack or Tower UPS (200-240VAC) (8x IEC 320 C13 10A, 1x C19 16A outlets)	55942KX	A53V
RT3kVA 2U Rack or Tower UPS (100-125VAC) (6x NEMA 5-20R 16A, 1x L5-30R 24A outlets)	55943AX	A53W
RT3kVA 2U Rack or Tower UPS (200-240VAC) (8x IEC 320 C13 10A, 1x C19 16A outlets)	55943KX	A53X
RT5kVA 3U Rack or Tower UPS (200-240VAC) (8x IEC 320 C13 10A, 2x C19 16A outlets)	55945KX	A540
RT6kVA 3U Rack or Tower UPS (200-240VAC) (8x IEC 320 C13 10A, 2x C19 16A outlets)	55946KX	A541
RT8kVA 6U Rack or Tower UPS (200-240VAC) (4x IEC 320-C19 16A outlets)	55948KX	A543
RT11kVA 6U Rack or Tower UPS (200-240VAC) (4x IEC 320-C19 16A outlets)	55949KX	A544
RT8kVA 6U 3:1 Phase Rack or Tower UPS (380-415VAC) (4x IEC 320-C19 16A outlets)	55948PX	A546
RT11kVA 6U 3:1 Phase Rack or Tower UPS (380-415VAC) (4x IEC 320-C19 16A outlets)	55949PX	A547

For more information, see the list of Product Guides in the Uninterruptible Power Supply Units category: <http://lenovopress.com/servers/options/ups>

Lenovo Financial Services

Lenovo Financial Services reinforces Lenovo's commitment to deliver pioneering products and services that are recognized for their quality, excellence, and trustworthiness. Lenovo Financial Services offers financing solutions and services that complement your technology solution anywhere in the world.

We are dedicated to delivering a positive finance experience for customers like you who want to maximize your purchase power by obtaining the technology you need today, protect against technology obsolescence, and preserve your capital for other uses.

We work with businesses, non-profit organizations, governments and educational institutions to finance their entire technology solution. We focus on making it easy to do business with us. Our highly experienced team of finance professionals operates in a work culture that emphasizes the importance of providing outstanding customer service. Our systems, processes and flexible policies support our goal of providing customers with a positive experience.

We finance your entire solution. Unlike others, we allow you to bundle everything you need from hardware and software to service contracts, installation costs, training fees, and sales tax. If you decide weeks or months later to add to your solution, we can consolidate everything into a single invoice.

Our Premier Client services provide large accounts with special handling services to ensure these complex transactions are serviced properly. As a premier client, you have a dedicated finance specialist who manages your account through its life, from first invoice through asset return or purchase. This specialist develops an in-depth understanding of your invoice and payment requirements. For you, this dedication provides a high-quality, easy, and positive financing experience.

For your region specific offers please ask your Lenovo sales representative or your technology provider about the use of Lenovo Financial Services. For more information, see the following Lenovo website:
<http://www.lenovofs.com>

Related publications and links

For more information, see these resources:

- Lenovo Converged HX Series appliances product page
<http://www3.lenovo.com/us/en/p/WMD00000036>
- Lenovo Enterprise Solutions Configurator (LESC):
<http://lesc.lenovo.com>
- System x and Cluster Solutions Configurator (x-config)
<http://lesc.lenovo.com/products/hardware/configurator/worldwide/bhui/asit/>
- Nutanix documentation
<http://portal.nutanix.com/#/page/docs>
- Lenovo Data Center Support
<http://datacentersupport.lenovo.com>
- Lenovo Converged HX Series TCO Calculator
<http://lenovo-hx.esgcalculator.com>
- Lenovo Hyperconverged Decision Tool
<http://www.lenovo.com/hxdecisiontool>

Related product families

Product families related to this document are the following:

- [Hyperconverged Infrastructure](#)
- [Nutanix Alliance](#)
- [ThinkAgile HX Series for Nutanix](#)

Notices

Lenovo may not offer the products, services, or features discussed in this document in all countries. Consult your local Lenovo representative for information on the products and services currently available in your area. Any reference to a Lenovo product, program, or service is not intended to state or imply that only that Lenovo product, program, or service may be used. Any functionally equivalent product, program, or service that does not infringe any Lenovo intellectual property right may be used instead. However, it is the user's responsibility to evaluate and verify the operation of any other product, program, or service. Lenovo may have patents or pending patent applications covering subject matter described in this document. The furnishing of this document does not give you any license to these patents. You can send license inquiries, in writing, to:

Lenovo (United States), Inc.
8001 Development Drive
Morrisville, NC 27560
U.S.A.
Attention: Lenovo Director of Licensing

LENOVO PROVIDES THIS PUBLICATION "AS IS" WITHOUT WARRANTY OF ANY KIND, EITHER EXPRESS OR IMPLIED, INCLUDING, BUT NOT LIMITED TO, THE IMPLIED WARRANTIES OF NON-INFRINGEMENT, MERCHANTABILITY OR FITNESS FOR A PARTICULAR PURPOSE. Some jurisdictions do not allow disclaimer of express or implied warranties in certain transactions, therefore, this statement may not apply to you.

This information could include technical inaccuracies or typographical errors. Changes are periodically made to the information herein; these changes will be incorporated in new editions of the publication. Lenovo may make improvements and/or changes in the product(s) and/or the program(s) described in this publication at any time without notice.

The products described in this document are not intended for use in implantation or other life support applications where malfunction may result in injury or death to persons. The information contained in this document does not affect or change Lenovo product specifications or warranties. Nothing in this document shall operate as an express or implied license or indemnity under the intellectual property rights of Lenovo or third parties. All information contained in this document was obtained in specific environments and is presented as an illustration. The result obtained in other operating environments may vary. Lenovo may use or distribute any of the information you supply in any way it believes appropriate without incurring any obligation to you.

Any references in this publication to non-Lenovo Web sites are provided for convenience only and do not in any manner serve as an endorsement of those Web sites. The materials at those Web sites are not part of the materials for this Lenovo product, and use of those Web sites is at your own risk. Any performance data contained herein was determined in a controlled environment. Therefore, the result obtained in other operating environments may vary significantly. Some measurements may have been made on development-level systems and there is no guarantee that these measurements will be the same on generally available systems. Furthermore, some measurements may have been estimated through extrapolation. Actual results may vary. Users of this document should verify the applicable data for their specific environment.

© Copyright Lenovo 2025. All rights reserved.

This document, LP0506, was created or updated on October 8, 2018.

Send us your comments in one of the following ways:

- Use the online Contact us review form found at:
<https://lenovopress.lenovo.com/LP0506>
- Send your comments in an e-mail to:
comments@lenovopress.com

This document is available online at <https://lenovopress.lenovo.com/LP0506>.

Trademarks

Lenovo and the Lenovo logo are trademarks or registered trademarks of Lenovo in the United States, other countries, or both. A current list of Lenovo trademarks is available on the Web at <https://www.lenovo.com/us/en/legal/copytrade/>.

The following terms are trademarks of Lenovo in the United States, other countries, or both:

Lenovo®
System x®
ThinkAgile®
ThinkSystem®
XClarity®

The following terms are trademarks of other companies:

Intel® and Xeon® are trademarks of Intel Corporation or its subsidiaries.

Microsoft®, Hyper-V®, PowerShell, Windows PowerShell®, Windows Server®, and Windows® are trademarks of Microsoft Corporation in the United States, other countries, or both.

Other company, product, or service names may be trademarks or service marks of others.