

# NeXtScale System M5 with Water Cool Technology (E5-2600 v4)

## Product Guide (withdrawn product)

The NeXtScale Water Cool Technology (WCT) system is the next generation of dense computing. It is an open, flexible, and simple data center solution for users of technical computing, grid deployments, analytics workloads, and large-scale cloud and virtualization infrastructures.

The NeXtScale n1200 WCT enclosure and NeXtScale nx360 M5 WCT server are designed to optimize density and performance within typical data center infrastructure limits. The 6U NeXtScale n1200 WCT enclosure fits in a standard 19-inch rack and up to 12 nx360 M5 WCT servers, on 6 WCT compute trays, can be installed into the enclosure. The nx360 M5 WCT is now based on Intel Xeon E5-2600 v4 processors.

The NeXtScale Water Cool Technology solution is designed to operate by using warm water, up to 45°C (113°F). Chillers are not needed for most customers, meaning even greater savings and a lower total cost of ownership (TCO).

The NeXtScale nx360 M5 WCT server is shown in the following figure.

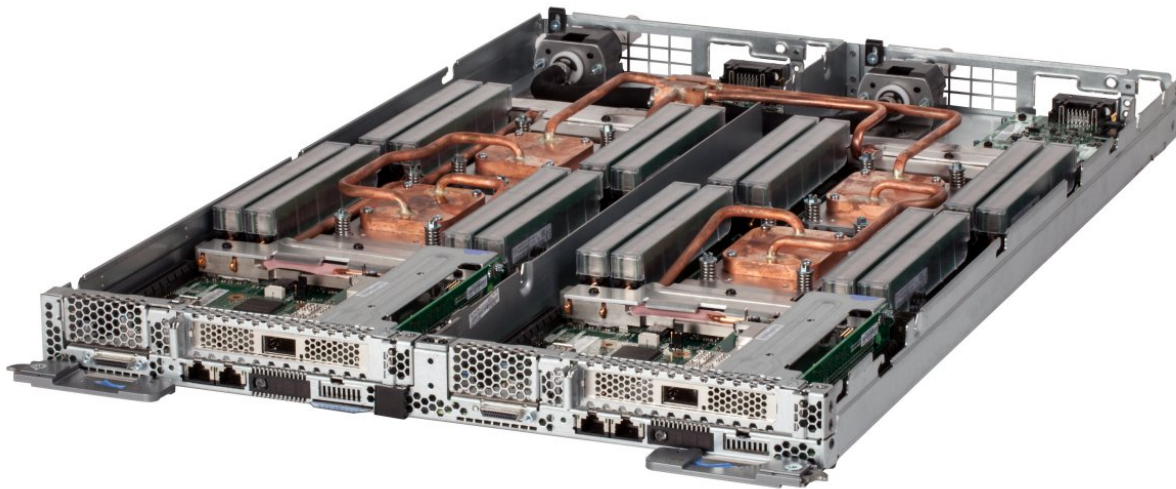


Figure 1. Two NeXtScale nx360 M5 WCT servers on the Compute Tray that provides water cooling

### Did you know?

The nx360 M5 WCT server and n1200 WCT enclosure with direct water cooling provide the ultimate in data center cooling efficiencies and performance. You can obtain upwards of 40% energy savings in data center expenses with the reduced need for air conditioning and air chillers. Direct water cooling means that the processors installed in the servers can enable the Intel Turbo Boost performance feature more often to further increase processor performance.

## Key features

NeXtScale System M5 Water Cool Technology (WCT) offering is a dense platform from Lenovo that achieves maximum performance with innovative warm-water cooling functionality. The NeXtScale WCT system includes a dense chassis, two half wide compute nodes on the WCT Compute Tray, all fitting in a standard rack. With NeXtScale WCT, Lenovo drives increased compute density, performance, and cooling efficiency for High Performance Computing and other workloads that require dense compute performance, such as Cloud, Grid, and Analytics.

Perhaps the most notable feature of WCT products is direct water cooling. Direct water cooling is achieved by circulating the cooling water directly through cold plates that contact the CPU thermal case, DIMMs, and other high-heat-producing components in the server.

One of the main advantages of direct water cooling is the water can be relatively warm and still be very effective, as water conducts heat much more effectively than air. Depending on the server configuration, 85 - 90% of the heat is removed by water cooling; the rest can easily be managed by a standard computer room air conditioner. With allowable inlet temperatures for the water being as high as 45°C (113°F), in many cases the water can be cooled by using ambient air and chilled water and a heat exchanger is not required.

The rear view of the nx360 M5 WCT with Intel Xeon E5-2600 v4 processors is shown in the following figure.

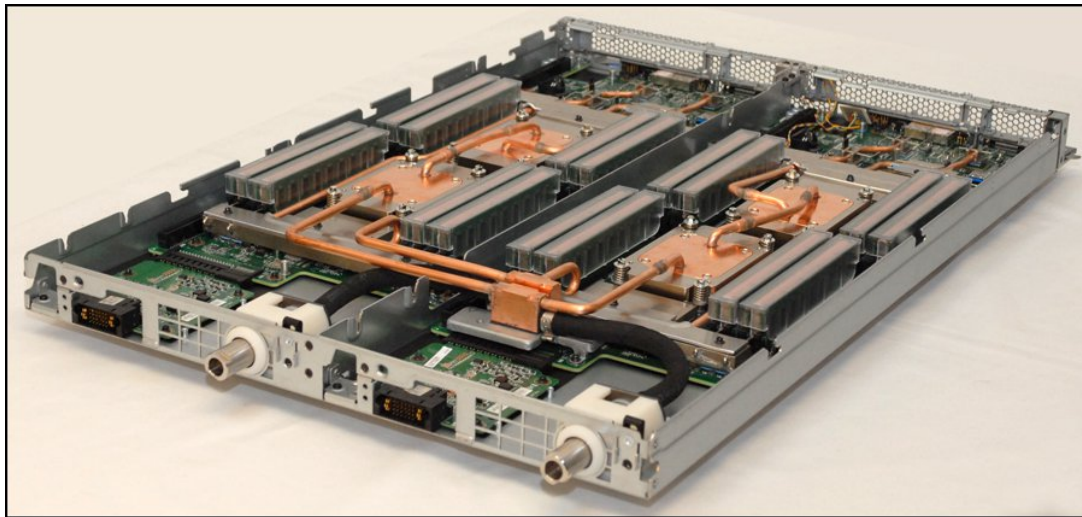


Figure 2. Rear view of the nx360 M5 WCT server showing the water inlet and outlet

Designed to industry-standards, NeXtScale Systems are general-purpose platforms that are designed to give customers a flexible IT infrastructure. Customized solutions can be configured to provide an application-appropriate platform with a choice of servers, networking switches, adapters, and racks.

NeXtScale nx360 M5 WCT servers provide a dense, flexible solution with a low TCO. The half-wide, dual-socket NeXtScale nx360 M5 server is designed for data centers that require high performance but are constrained by floor space. By taking up less physical space in the data center, the NeXtScale server enhances density and supports the Intel Xeon processor E5-2600 v4 series up to 145 W and 22-core processors, thus providing more performance per server. The nx360 M5 compute node contains only essential components in the base architecture to provide a cost-optimized platform.

The NeXtScale n1200 WCT Enclosure is an efficient, 6U, 12-node chassis with no built-in networking or switching capabilities; therefore, it requires no chassis-level management. Sensibly designed to provide shared, high-efficiency power and cooling for housed servers, the n1200 WCT enclosure is designed to scale with your business needs.

## Scalability and performance

The NeXtScale n1200 WCT chassis and the NeXtScale nx360 M5 WCT server offer the following features to boost performance, improve scalability, and reduce costs:

- Up to 12 compute nodes, each with two of the latest Xeon v4 processors, 16 DIMMs, and three PCIe slots, in 6U of rack space. It is a highly dense, scalable, and price-optimized offering.
- The Intel Xeon processor E5-2600 v4 product family improves productivity by offering superior system performance with 22-core processors, core speeds up to 3.5 GHz, L3 cache sizes up to 55 MB, DDR4 memory speeds up to 2400 MHz, and QPI interconnect links of up to 9.6 GTps.
- Two processors, up to 44 cores, and 88 threads maximize the concurrent execution of multi-threaded applications.
- Intelligent and adaptive system performance with Intel Turbo Boost Technology 2.0 allows CPU cores to run at maximum speeds during peak workloads by temporarily going beyond processor TDP.
- By providing better cooling than possible with air cooling, WTC servers optimize Turbo Boost 2.0 enablement. With water cooling, it may be possible to operate the processors in continuous Turbo mode.
- Intel Hyper-Threading Technology boosts performance for multi-threaded applications by enabling simultaneous multi-threading within each processor core, up to two threads per core.
- Intel Advanced Vector Extensions 2 (AVX2) doubles the number of floating-point operations per second (FLOPS) per clock cycle, enables 256 bit integer operation, and provides more instructions to improve performance for compute-intensive technical and scientific applications.
- A total of 16 DIMMs of registered 2400 MHz DDR4 ECC memory provide speed, high availability, and a memory capacity of up to 512 GB.
- Two useable PCIe slots internal to the nx360 M5, a full-height half-length x16 PCIe Gen 3 slot and a mezzanine LOM Generation 2 (ML2) slot, which is also x16 PCIe Gen 3.
- Two useable PCIe slots internal to the nx360 M5, a full-height half-length x16 PCIe Gen 3 slot and a mezzanine LOM Generation 2 (ML2) slot, which is also x16 PCIe Gen 3. These can be used for EDR InfiniBand or Intel's new Omni-Path Architecture (OPA) fabric, delivering ultra-high performance connectivity.
- Supports mezzanine LOM Generation 2 (ML2) cards for 40 Gb Ethernet and FDR InfiniBand that offer network performance in the smallest footprint.
- PCI Express 3.0 I/O expansion capabilities almost double (1.97x) the useable lane bandwidth compared with PCI Express 2.0.
- With Intel Integrated I/O Technology, the PCI Express 3.0 controller is integrated into the Intel Xeon processor E5 family, which reduces I/O latency and increases overall system performance.

### **Manageability and security**

The following powerful systems management features simplify local and remote management of the nx360 M5 WCT:

- The server includes an Integrated Management Module II (IMM2) to monitor server availability and perform remote management.
- The first standard 1 Gbps Ethernet port can be shared between the operating system and IMM2 for remote management or can be dedicated to the IMM2. The second standard Ethernet port provides 1 Gbps Ethernet connectivity.
- IMM2 functionality can be enhanced with optional Features on Demand upgrades. The first upgrade enables a browser based interface; the second upgrade adds remote console and media functionality.
- An integrated industry-standard Unified Extensible Firmware Interface (UEFI) enables improved setup, configuration, and updates and simplifies error handling.

- Integrated Trusted Platform Module (TPM) 1.2 support enables advanced cryptographic functions, such as digital signatures and remote attestation.
- Intel Trusted Execution Technology provides enhanced security through hardware-based resistance to malicious software attacks, which allows the application to run in its own isolated space that is protected from all other software that is running on a system.
- The Intel Execute Disable Bit function can prevent certain classes of malicious buffer overflow attacks when combined with a supporting operating system.
- The n1200 WCT chassis includes drip sensors that monitor the inlet and outlet manifold quick connect couplers; leaks are reported via the Fan and Power Controller (FPC).

### **Energy efficiency**

NeXtScale System offers the following energy efficiency features to save energy, reduce operational costs, increase energy availability, and contribute to a green environment:

- Water cooling eliminates power that is drawn by cooling fans in the chassis and dramatically reduces the required air movement in the server room, which also saves power. Savings as much as 40% are possible in the data center due to the reduced need for air conditioning.
- Water chillers may not be required with a WCT solution. Chillers are a major expense for most geographies and can be reduced or even eliminated because the water temperature can now be 45°C instead of 18°C in an air-cooled environment.
- 85-90% heat recovery is possible with the WCT design. Heat energy absorbed may be reused for heating buildings in the winter for further operating expense savings.
- The processors and other microelectronics are run at lower temperatures because they are water cooled, which uses less power.
- Support is available for S3 standby power states in the processor.
- Shared 80 Plus Platinum power supplies ensure energy efficiency.
- The Intel Xeon processor E5-2600 v4 product family offers better performance over the previous generation while fitting into the similar TDP limits. These processors have their voltage regulators in the processor die (as opposed to externally); therefore, although the TDP numbers increased as compared to the v3 products, overall system power consumption is reduced.
- Intel Intelligent Power Capability can power on and off individual processor elements as needed to reduce power draw.
- Low-voltage Intel Xeon processors draw less energy to satisfy the demands of power and thermally constrained data centers and telecommunication environments.
- Low-voltage 1.2 V DDR4 memory DIMMs use up to 20% less energy, compared to 1.35 V DDR3 DIMMs.
- There are power monitoring and power capping capabilities through the FPC in the chassis

### **Availability and serviceability**

NeXtScale n1200 WCT chassis and the nx360 M5 WCT server provide the following features to simplify serviceability and increase system uptime:

- The NeXtScale n1200 chassis supports N+N and N+1 power policies for its six power supplies, which means greater system uptime.
- The power supplies are hot-swappable.
- Toolless cover removal provides easy access to upgrades and serviceable parts, such as adapters and memory.
- Predictive Failure Analysis (PFA) detects when system components (processors, memory, and PCI devices) operate outside of standard thresholds and generates proactive alerts in advance of possible failure, which increases uptime.

- The built-in IMM2 continuously monitors system parameters, triggers alerts, and performs recovering actions if there are failures to minimize downtime.
- The IMM2 offers optional remote management capability and can enable remote keyboard, video, and mouse (KVM) control and remote media for the server.
- There is a three-year customer replaceable unit and onsite limited warranty, with next business day 9x5 coverage. Optional warranty upgrades and extensions are available.
- With water cooling, system fans are not required; only small power supply fans operate. This results in significantly reduced noise levels on the data center floor, a significant benefit to personnel having to work on site.

### Locations of key components and connectors

The front of the nx360 M5 WCT server is shown in the following figure.

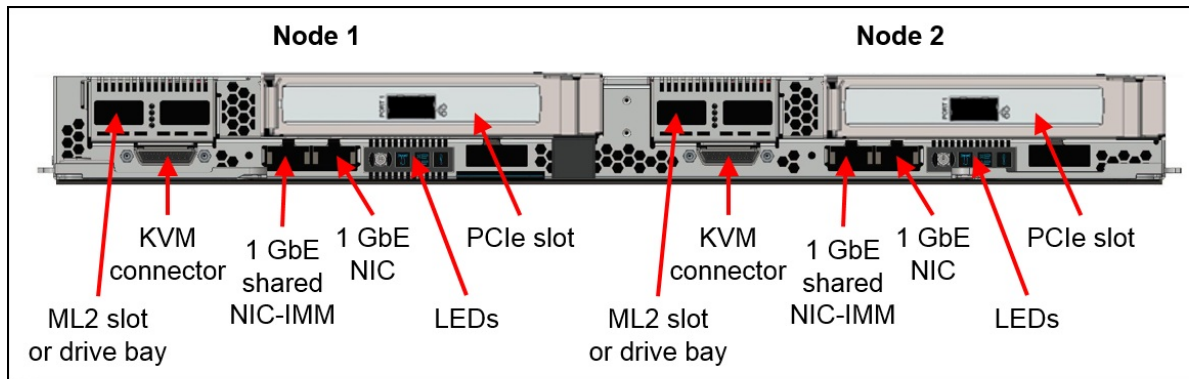


Figure 3. Front view of NeXtScale nx360 M5 WCT server.

The following figure shows the locations of key components inside the server.

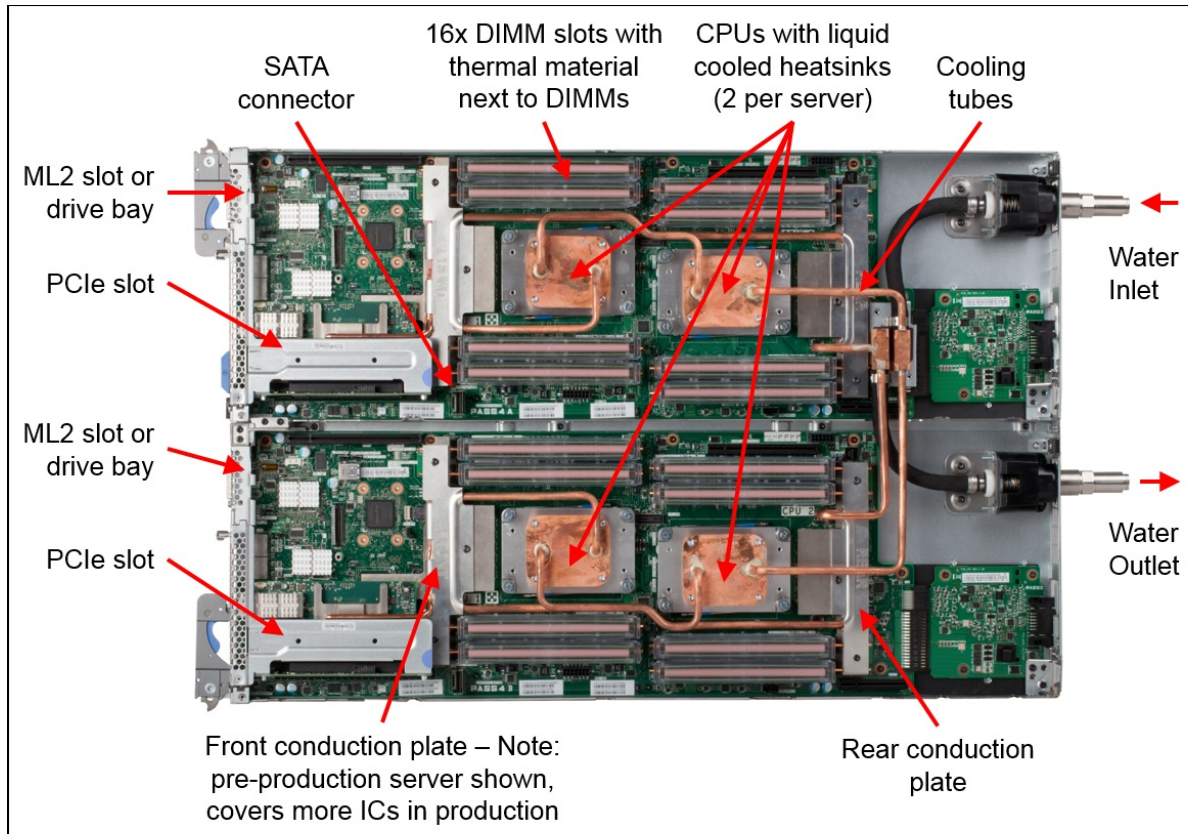


Figure 4. Inside view of the NeXtScale nx360 M5 WCT

The compute nodes are installed in the NeXtScale n1200 WCT enclosure, as shown in the following figure.

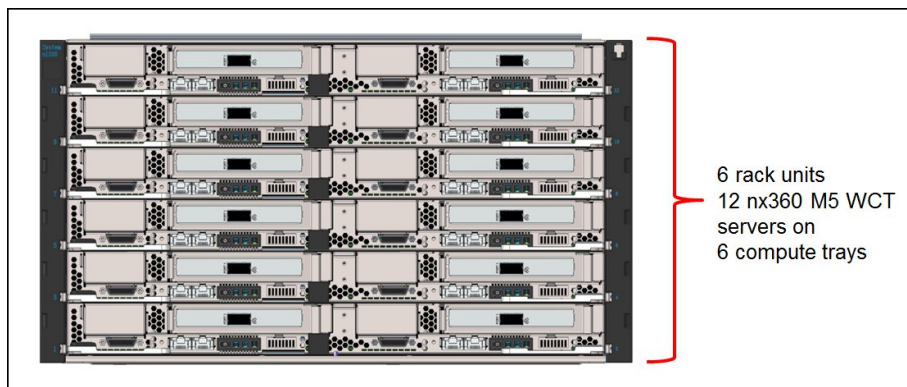


Figure 5. Front view of the NeXtScale n1200 WCT enclosure

The rear of the enclosure contains the power supplies, cooling water manifolds, and the Fan and Power Controller, as shown in the following figure.

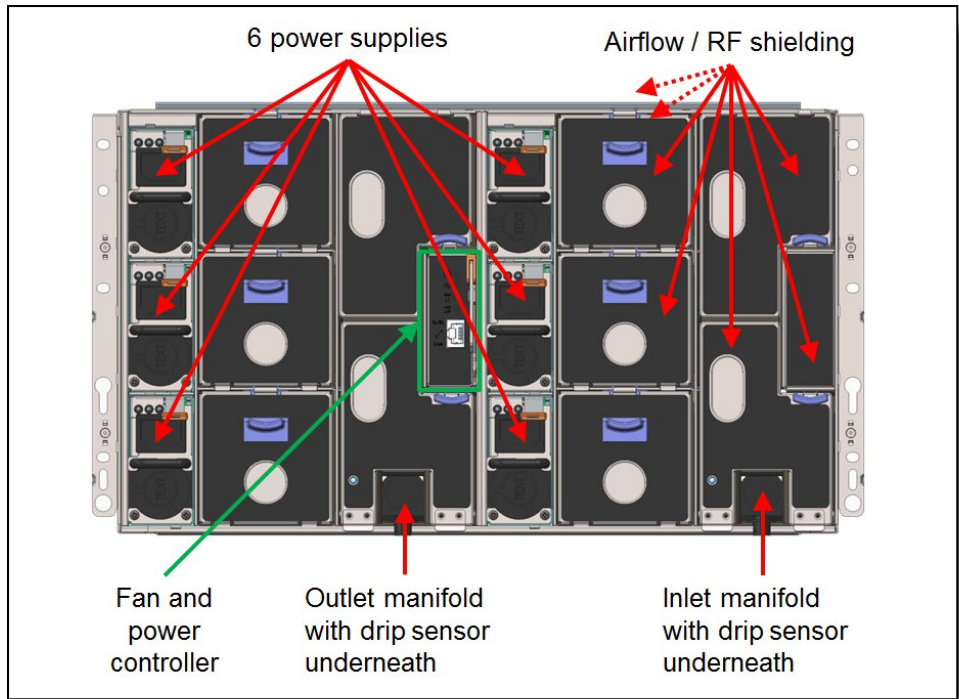


Figure 6. Rear view of the NeXtScale n1200 WCT enclosure

## Standard specifications - nx360 M5 WCT

The following table lists the standard specifications of the NeXtScale nx360 M5 WCT compute.

Table 1. Standard specifications - nx360 M5 WCT

Components	Specification
Machine type	5467
Form factor	Standard server: Half-wide, 1U compute node; 2 per full wide 1U compute tray.
Processor	Two Intel Xeon Processor E5-2600 v4 series processors; Available processors with between 4 cores and 22 cores, up to 55 MB L3 cache and up to 3.5 GHz core speed. QuickPath Interconnect (QPI) links speed up to 9.6 GTps. Hyper-Threading Technology and Turbo Boost Technology. Intel C612 chipset.
Memory	Up to 16 DIMM sockets (8 DIMMs per processor) supporting DDR4 DIMMs up to 2400 MHz memory speeds. Four memory channels per processor (two DIMMs per channel).
Memory maximum	Up to 512 GB memory with 16x 32 GB RDIMMs and two processors.
Memory protection	Chipkill (x4 memory options only) and ECC.
Disk drive bays	1 internal 2.5-inch drive bay (non-hot-swap) supporting a SATA HDD or SSD. Mutually exclusive with the ML2 adapter slot.
Maximum internal storage	2 TB using a NL SATA HDD or 960 GB using a SATA SSD.
Optical drive bays	The server does not support an internal optical drive option, however, you can connect an external USB optical drive. See <a href="http://support.lenovo.com/en/documents/pd011281">http://support.lenovo.com/en/documents/pd011281</a> for information about available external optical drives from Lenovo.
Tape drive bays	No internal bays. Use an external USB drive.
Network interfaces	Integrated two-port Gigabit Ethernet (Broadcom BCM5717) with RJ45 connectors. One port dedicated for use by the operating system and one configurable as shared by the operating system and IMM or as dedicated to the IMM. Optionally, a single port FDR InfiniBand PCIe x16 adapter, or two 40 Gb Ethernet/FDR InfiniBand ports through a Mezzanine LOM Gen 2 (ML2) adapter slot. ML2 adapters support shared access to the IMM.
PCI Expansion slots	<ul style="list-style-type: none"> <li>One PCIe 3.0 x16 Mezzanine LOM Gen 2 (ML2) adapter slot, mutually exclusive with the internal drive bay.</li> <li>One PCIe 3.0 x16 full-height half-length slot.</li> </ul>
Ports	Front of the server: KVM connector; with the addition of a console breakout cable (1 cable standard with the chassis) supplies one RS232 serial port, one VGA port, and two USB 1.1 ports for local console connectivity. Two 1 Gbps Ethernet ports with RJ45 connectors. More Ethernet port for in the Fan and Power Controller at the rear of the chassis.
Video	Matrox G200eR2 video core with 16 MB DDR3 video memory that is integrated into the IMM2. Maximum resolution is 1600x1200 with 16M colors (32 bpp) at 75 Hz, or 1680x1050 with 16M colors at 60 Hz.
Security features	Power-on password, administrator's password, and Trusted Platform Module 1.2.
Operating systems supported	Microsoft Windows Server 2012 and 2012 R2, 2016, SUSE Linux Enterprise Server 11 SP4 and 12, Red Hat Enterprise Linux 6 U6 and 7 U1, VMware vSphere 5.5 and 6.0.



Components	Specification
Limited warranty	Three-year customer-replaceable unit and onsite limited warranty with 9x5/NBD.
Service and support	Optional service upgrades are available through Lenovo Services: 4-hour or 2-hour response time, 8-hour fix time, 1-year or 2-year warranty extension, remote technical support for hardware and some Lenovo and OEM software.
Dimensions	Compute tray width:432 mm (17 in.), height: 41.0 mm (1.6 in.), depth: 658.8 mm (25.9 in.).
Weight	Compute tray (2 servers): 13.3 kg (29.3 lb)

The nx360 M5 servers are shipped with the following items:

- Statement of Limited Warranty
- Important Notices
- Documentation flyer that contains the *Installation and Service Guide*

## Standard specifications - n1200 WCT enclosure

The following table lists the standard specifications of the NeXtScale n1200 WCT enclosure.

Table 2. Standard specifications:NeXtScale n1200 WCT

Components	Specification
Machine type	5468
Form factor	6U rack-mounted chassis.
Maximum number of servers supported	Up to 12 compute nodes (2 compute nodes on 1 compute tray) per chassis.
Servers per 42U rack	Up to 72 servers in six 6U chassis (36U total, leaving space for top-of-rack switches, UPS units, and so on)
Midplane	Passive midplane provides connections to the 12 servers in the front to the power supplies and fans at the rear. Provides signals to control fan speed, power consumption, and node throttling as needed.
Fan and Power Controller	The FPC module is the management device for the chassis. Provides integrated systems management functions and controls the power and cooling features of the enclosure. Hot-swappable. Browser and CLI-based user interfaces for remote access via the dedicated 10/100 Mbps Ethernet port. Internal USB memory key for logging and configuration data.
Ports	RJ45 port on the rear of the chassis for 10/100 Ethernet connectivity to the FPC for power and cooling management. Each server has RJ45 Ethernet connectors as well as a KVM connector for USB, video and serial connections.
I/O architecture	None integrated. Use top-of-rack networking and storage switches.
Power supplies	Up to six hot-swap power supplies either 900 W or 1300 W or 1500 W. The 900 W power supplies can operate at 200 V – 240 V or 100 V – 127 V. The 1300 W and 1500 W power supplies operate at 200 V – 240 V only. Power supplies installed at the rear of the chassis. Single power domain supplies power to all servers. Optional redundancy (N+1 or N+N) and oversubscription. Integrated 2500 RPM fan. 80 PLUS Platinum or Titanium certified Built-in overload and surge protection.
Cooling	Direct water cooling supplied by water manifolds connected from the rear of the chassis. Lower-power internal components cooled by power supply fans.

Components	Specification
System LEDs	FPC LEDs: Power, Activity, Locator, System error log, Ethernet port LEDs. Power supply LEDs: AC power, DC power, Fault LEDs. Servers have more LEDs.
Security features	Login password for remote connection. Secure Sockets Layer (SSL) security for remote management access. Supports LDAP for authorization. Trusted and signed firmware.
Systems management	Browser-based chassis management through an Ethernet port on the FPC at the rear of the enclosure. Servers provide more management features.
Temperature	Operating air temperature: <ul style="list-style-type: none"> <li>ASHRAE class A3 environment: 5°C - 40°C (41°F - 104°F)</li> <li>Derate maximum allowable temperature 1°C/175 m above 950 m</li> </ul>
Electrical power	1300 W power supplies: 200 V - 240 V ac input (nominal), 50 or 60 Hz 900 W power supplies: 100 V - 127V or 200 V - 240 V ac input (nominal), 50 or 60 Hz
Power consumption	7,800 W maximum
Power cords	One AC power cord for each power supply, 1.5 m 10 A, IEC320 C14 to C13
Limited warranty	Three-year customer-replaceable unit and onsite limited warranty with 9x5/NBD.
Dimensions	Height: 263.3 mm (10.4 in.) Depth: 914.5 mm (36 in.) Width: 447 mm (17.6 in.)
Weight	Fully configured: 122.4 kg (270 lb) (not including the weight of the manifold) Empty chassis: approximately 38 kg (84 lb) (including water manifold section)

## Standard models

There are no standard models; all NeXtScale nx360 M5 WCT servers must be configured by using the configure-to-order (CTO) process. The NeXtScale nx360 M5 WCT machine type is 5467.

**Tip:** This is the same machine type as the NeXtScale nx360 M5 WCT with E5-2600 v4 processors.

## NeXtScale n1200 WCT Enclosure models

There are no standard models; all NeXtScale n1200 WCT chassis must be configured by using the CTO process. The machine type is 5468.

The water manifold a separate machine type 5469.

The chassis ships with the following items:

- Rail kit
- Four detachable chassis lift handles
- One Console breakout cable (also known as a KVM Dongle)

The n1200 provides shared high-efficiency power supplies. As with BladeCenter® and Flex System®, the NeXtScale System compute nodes connect to a midplane. However, this connection is for power and control only; the midplane does not provide any I/O connectivity.

## Processor options

The nx360 M5 WCT supports the processor options that are listed in the following table.

Table 3. Processor support

Feature code	Intel Xeon processors*
AU93	Intel Xeon Processor E5-2603 v4 6C 1.7GHz 15MB Cache 1866MHz 85W
AU92	Intel Xeon Processor E5-2609 v4 8C 1.7GHz 20MB Cache 1866MHz 85W
AU91	Intel Xeon Processor E5-2620 v4 8C 2.1GHz 20MB Cache 2133MHz 85W
AU97	Intel Xeon Processor E5-2623 v4 4C 2.6GHz 10MB Cache 2133MHz 85W
AU90	Intel Xeon Processor E5-2630 v4 10C 2.2GHz 25MB Cache 2133MHz 85W
AU99	Intel Xeon Processor E5-2630L v4 10C 1.8GHz 25MB Cache 2133MHz 55W
AU96	Intel Xeon Processor E5-2637 v4 4C 3.5GHz 15MB Cache 2400MHz 135W
AU8Z	Intel Xeon Processor E5-2640 v4 10C 2.4GHz 25MB Cache 2133MHz 90W
AU95	Intel Xeon Processor E5-2643 v4 6C 3.4GHz 20MB Cache 2400MHz 135W
AU8Y	Intel Xeon Processor E5-2650 v4 12C 2.2GHz 30MB Cache 2400MHz 105W
AU98	Intel Xeon Processor E5-2650L v4 14C 1.7GHz 35MB Cache 2400MHz 65W
AU8X	Intel Xeon Processor E5-2660 v4 14C 2.0GHz 35MB Cache 2400MHz 105W
AU94	Intel Xeon Processor E5-2667 v4 8C 3.2GHz 25MB Cache 2400MHz 135W
AU8W	Intel Xeon Processor E5-2680 v4 14C 2.4GHz 35MB Cache 2400MHz 120W
AU8U	Intel Xeon Processor E5-2683 v4 16C 2.1GHz 40MB Cache 2400MHz 120W
AU8V	Intel Xeon Processor E5-2690 v4 14C 2.6GHz 35MB Cache 2400MHz 135W
AU8T	Intel Xeon Processor E5-2695 v4 18C 2.1GHz 45MB Cache 2400MHz 120W
AU8S	Intel Xeon Processor E5-2697 v4 18C 2.3GHz 45MB Cache 2400MHz 145W
AU9A	Intel Xeon Processor E5-2697A v4 16C 2.6GHz 40MB Cache 2400MHz 145W
AU8R	Intel Xeon Processor E5-2698 v4 20C 2.2GHz 50MB Cache 2400MHz 135W
AU8Q	Intel Xeon Processor E5-2699 v4 22C 2.2GHz 55MB Cache 2400MHz 145W

\* Processor detail: Model, core count, core speed, L3 cache, memory speed, and TDP power.

## Memory options

TruDDR4 Memory from Lenovo uses the highest quality components that are sourced from Tier 1 DRAM suppliers and only memory that meets the strict requirements of Lenovo is selected. It is compatibility tested and tuned on every System x server to maximize performance and reliability. TruDDR4 Memory has a unique signature that is programmed into the DIMM that enables Lenovo servers to verify whether the memory installed is qualified or supported. Because TruDDR4 Memory is authenticated, certain extended memory performance features can be enabled to extend performance over industry standards.

The NeXtScale nx360 M5 WCT supports up to 8 TruDDR Memory DIMMs when one processor is installed and up to 16 TruDDR Memory DIMMs when two processors are installed. Each processor has four memory channels, and there are two DIMMs per memory channel (2 DPC). LRDIMMs and UDIMMs currently are not supported.

With Intel Xeon E5-2600 v4 processors, the server supports 2400 MHz memory.

The supported memory that is available for the nx360 M5 WCT server is listed in the following table.

Table 4. Memory support

Feature code	Description	Maximum supported
ATC8	8GB TruDDR4 Memory (1Rx4, 1.2V) PC4-19200 CL17 2400MHz LP RDIMM	16
ATC9	8GB TruDDR4 Memory (2Rx8, 1.2V) PC4-19200 CL17 2400MHz LP RDIMM	16
ATCA	16GB TruDDR4 Memory (2Rx4, 1.2V) PC4-19200 CL17 2400MHz LP RDIMM	16
AVP0	16GB TruDDR4 Memory (2Rx8, 1.2V) PC4-19200 CL17 2400MHz LP RDIMM	16
ATCB	32GB TruDDR4 Memory (2Rx4, 1.2V) PC4-19200 CL17 2400MHz LP RDIMM	16

In the nx360 M5 WCT, the maximum memory channel speed is the lower of the following two values:

- Speed of the processor memory channels
- Speed of the memory DIMM

Memory operates at 2400 MHz per channel, with 1 or 2 DIMMs per channel (DPC), in the NeXtScale nx360 M5 WCT.

The following memory protection technologies are supported:

- ECC
- Chipkill (only available with x4 memory – eg. 1Rx4, 2Rx4, and 4Rx4)

## Internal storage

The NeXtScale nx360 M5 WCT server supports a single drive in the location otherwise occupied by the ML2 adapter. Supported drives are listed in the following table. The table also lists the drive cage that is required to mount the drive in the server.

**ML2 adapter slot:** The drive is installed in the same physical location as the ML2 adapter, so these components are mutually exclusive.

The drive is connected via a cable to the SATA port on the system board as shown in the [Locations of key components and connectors](#) section.

Table 5. Supported internal drives

Feature code	Description	Maximum supported
<b>Drive cage</b>		
ATT1	nx360 M5 WCT HDD cage	1
<b>NL SATA HDDs</b>		
A48C	1TB 7.2K 6Gbps SATA 2.5" HDD for NeXtScale System	1
AT83	2TB 7.2K 6Gbps NL SATA 2.5" 512e HDD for NeXtScale System	1
<b>Enterprise Entry SSDs (&lt;3 DWPD)</b>		
AXHK	5100 480GB Enterprise Entry SATA 2.5" SSD for NeXtScale	1
AXHL	5100 960GB Enterprise Entry SATA 2.5" SSD for NeXtScale	1
AXHM	5100 1.92TB Enterprise Entry SATA 2.5" SSD for NeXtScale	1
AXHN	5100 3.84TB Enterprise Entry SATA 2.5" SSD for NeXtScale	1
AXGH	Intel S3520 800GB Enterprise Entry SATA 2.5" SSD for NeXtScale	1
AXGJ	Intel S3520 1.2TB Enterprise Entry SATA 2.5" SSD for NeXtScale	1
AXGK	Intel S3520 1.6TB Enterprise Entry SATA 2.5" SSD for NeXtScale	1
AVHV	PM863a 240GB Enterprise Entry SATA 2.5" SSD for NeXtScale	1
AVHW	PM863a 480GB Enterprise Entry SATA 2.5" SSD for NeXtScale	1
AVHX	PM863a 960GB Enterprise Entry SATA 2.5" SSD for NeXtScale	1
AT9B	Intel S3510 480GB Enterprise Entry SATA 2.5" SSD for NeXtScale	1
AT9A	Intel S3510 120GB Enterprise Entry SATA 2.5" SSD for NeXtScale	1
AT90	240GB Enterprise Entry SATA 2.5" SSD for NeXtScale	1
AT92	960GB Enterprise Entry SATA 2.5" SSD for NeXtScale	1
<b>Enterprise Mainstream SSDs (3-5 DWPD)</b>		
AXHE	5100 240GB Enterprise Mainstream SATA 2.5" SSD for NeXtScale	1
AXHF	5100 480GB Enterprise Mainstream SATA 2.5" SSD for NeXtScale	1
AXHG	5100 960GB Enterprise Mainstream SATA 2.5" SSD for NeXtScale	1
AXHH	5100 1.92TB Enterprise Mainstream SATA 2.5" SSD for NeXtScale	1
AXHJ	5100 3.84TB Enterprise Mainstream SATA 2.5" SSD for NeXtScale	1
AU3M	Intel S3610 200GB Enterprise Mainstream SATA 2.5" SSD for NeXtScale	1
AU3N	Intel S3610 480GB Enterprise Mainstream SATA 2.5" SSD for NeXtScale	1
AU3P	Intel S3610 800GB Enterprise Mainstream SATA 2.5" SSD for NeXtScale	1

## Internal tape drives

The nx360 M5 WCT does not support internal tape drives.

## Optical drives

The server does not support an internal optical drive option, however, you can connect an external USB optical drive. See <http://support.lenovo.com/en/documents/pd011281> for information about available external optical drives from Lenovo.

## I/O expansion options

The nx360 M5 WCT offers the following I/O expansion options:

- One PCIe 3.0 x16 ML2 adapter slot (optional, front accessible)
- One PCIe 3.0 x16 full-height half-length slot (optional, front accessible)

### Notes:

- Each slot requires a riser card, as listed in the following table.
- The ML2 slot is not available if an internal drive is installed

The front accessible slots are shown in the following figure.

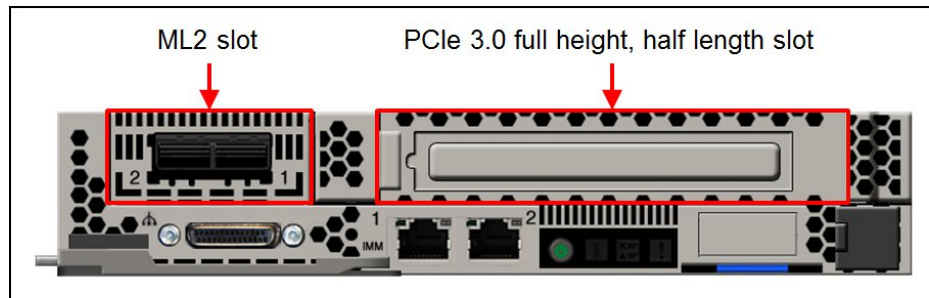


Figure 7. Optional front accessible PCIe slots

The ordering information for optional riser cards for the two slots is listed in the following table.

Table 6. Riser card options

Feature code	Description	Maximum supported
A5JV	nx360 M5 ML2 Riser	1
AS9R	nx360 M5 WCT Compute Node Front Riser	1

## Network adapters

The nx360 M5 WCT provides two Gigabit Ethernet ports standard, with the following features:

- Broadcom BCM5717 Gigabit Ethernet controller
- TCP/IP Offload Engine (TOE) support
- Wake on LAN support
- Receive side Scaling (RSS) and Transmit side Scaling (TSS) support
- MSI and MSI-X capability (up to five MSI-X vectors)
- VLAN tag support (IEEE 802.1Q)
- Layer 2 priority encoding (IEEE 802.1p)
- Link aggregation (IEEE 802.3ad)
- Full-duplex flow control (IEEE 802.3x)

- IP, TCP, and UDP checksum offload (hardware based) on Tx/Rx over IPv4/IPv6
- Hardware TCP segmentation offload over IPv4/IPv6
- Jumbo frame support
- NIC Teaming (Load Balancing and Failover)
- One port that is shared with IMM2 by using the Network Controller-Sideband Interface (NC-SI)

The nx360 M5 server supports a Mezzanine LOM Generation 2 (ML2) adapter with a dedicated slot at the front of the server, as shown in the previous figure. The usage of an ML2 adapter also requires the installation of the ML2 riser card. The riser card and supported adapter is listed in the following table.

Table 7. Mezzanine LOM Gen 2 (ML2) Adapters

Feature code	Description	Maximum supported
A5JV	nx360 M5 ML2 Riser	1
A5KL	Mellanox ConnectX-3 Pro 40GbE / FDR IB VPI ML2 for nx360 M5 WCT	1

The Mellanox ConnectX-3 Pro 40GbE / FDR IB VPI ML2 adapter has the following features:

- Two QSFP ports that support FDR-14 InfiniBand or 40 Gb Ethernet
- Mezzanine LOM Generation 2 (ML2) form factor
- Support for InfiniBand FDR speeds of up to 56 Gbps (auto-negotiation FDR-10, DDR, and SDR)
- Support for Virtual Protocol Interconnect (VPI), which enables one adapter for InfiniBand and 10/40 Gb Ethernet. Supports three configurations:
  - 2 ports InfiniBand
  - 2 ports Ethernet
  - 1 port InfiniBand and 1 port Ethernet
- SR-IOV support; 16 virtual functions that are supported by KVM and Hyper-V (OS-dependent) up to a maximum of 127 virtual functions that are supported by the adapter
- Enables Low Latency RDMA over 40 Gb Ethernet (supported with non-virtualized and SR-IOV enabled virtualized servers); latency as low as 1 ?s
- Microsoft VMQ/VMware NetQueue support
- Sub 1 μs InfiniBand MPI ping latency
- Support for QSFP to SFP+ for 10 Gb Ethernet support
- Traffic steering across multiple cores
- Legacy and UEFI PXE network boot support (Ethernet mode only)
- Offers NVGRE hardware offloads
- Offers VXLAN hardware offloads

The supported network adapters for use in the standard full-height half-length PCIe slot are listed in the following table. The use of an adapter in this slot also requires the installation of the PCIe riser card.

Table 8. Network adapters

Feature code	Description	Maximum supported
AS9R	nx360 M5 WCT Compute Node Front Riser	1
AS4V	Mellanox Single-Port Connect-IB PCIe x16 Adapter for nx360 M5 WCT	1
AUAQ	Mellanox Connect-IB Dual-Port EDR IB PCIe3.0 x16 HCA for WCT	1
AU0B	Intel Omni-Path OPA 100 Series Single-port PCIe 3.0 x16 HFA	1

## Storage host bus adapters

The nx360 M5 WCT server currently does not support storage host bus adapters.

## PCIe SSD adapters

The nx360 M5 WCT server currently does not support High IOPS SSD adapters.

## GPU and coprocessor adapters

The nx360 M5 WCT server currently does not support GPUs.

## Power supplies

The NeXtScale n1200 WCT enclosure supports up to six redundant hot-plug power supplies, which provides N+N or N+1 redundancy. Power policies with no redundancy also are supported. These power supplies are either 80 PLUS Platinum or Titanium certified to allow for the best efficiency values of your data center. The following table lists the supported power supplies.

Table 9. Power supplies

Feature code	Description	Min / Max supported
A41T	CFF 900W Power Supply (80 PLUS Platinum)	6 / 6
A4MM	CFF 1300W Power Supply (80 PLUS Platinum)	2 / 6
ASYH	NeXtScale n1200 1300W Titanium Power Supply (80 PLUS Titanium)	2 / 6
ASYJ	NeXtScale n1200 1500W Platinum Power Supply (80 PLUS Platinum)	2 / 6

The power supply options have the following features:

- Supports N+N or N+1 Power Redundancy, or Non-redundant power configurations to support higher density
- Power management controller and configured through the Fan and Power Controller
- Integrated 2500 RPM fan
- 80 PLUS Platinum or Titanium certified
- Built-in overload and surge protection

900 W power supply specifications:

- Supports dual-range voltage: 100 - 240 V
- 100 - 127 (nominal) V AC; 50 or 60 Hz; 6.8 A (maximum)
- 200 - 240 (nominal) V AC; 50 or 60 Hz; 5.0 A (maximum)

1300 W power supply specifications:

- Supports high-range voltage only: 200 - 240 V
- 200 - 240 (nominal) V AC; 50 or 60 Hz; 6.9 A (maximum)

## Integrated virtualization

The nx360 M5 WCT server does not support integrated virtualization.

## Local server management



The nx360 M5 WCT provides local console access through the KVM connector at the front of the server. A console breakout cable is used with this connector, which provides a VGA port, two USB ports, and a DB9 serial port. The cable is shown in the following figure.



Figure 8. Console breakout cable

One console breakout cable is shipped with the NeXtScale n1200 WCT enclosure. Additional cables can be ordered per the following table.

Table 10. Console breakout cable

Feature code	Description	Maximum supported
A4AK	Console breakout cable (KVM Dongle cable)	1

To aid with problem determination, the server includes light path diagnostics, which is a set of LEDs on the front of the server and inside the server that show you which component is failing. The LEDs are shown in the following figure.

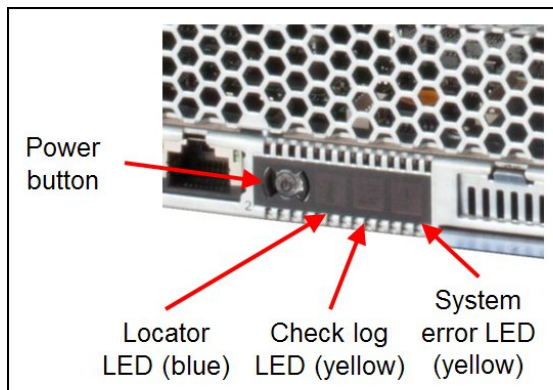


Figure 9. Power button and system LEDs (some front panel perforations will not be present on the production model)

When an error occurs, the system error LED lights up. Review the logs through the web interface of the IMMv2 (see the "Remote server management" section). If needed, power off the server and remove it from the enclosure. Then, press and hold the power button to activate the system board LEDs. The LED next to the failed component lights up.

## Remote server management

The server contains an Integrated Management Module II (IMM2), which provides advanced service-processor control, monitoring, and an alerting function. If an environmental condition exceeds a threshold or if a system component fails, the IMM2 lights LEDs to help you diagnose the problem, records the error in the event log, and alerts you about the problem. The server includes IMM2 Basic and can be upgraded to IMM2 Standard and IMM2 Advanced with Feature on Demand (FoD) licenses.

IMM2 Basic has the following features:

- Industry-standard interfaces and protocols
- Intelligent Platform Management Interface (IPMI) Version 2.0
- Common Information Model (CIM)
- Advanced Predictive Failure Analysis (PFA) support
- Continuous health monitoring
- Shared Ethernet connection
- Domain Name System (DNS) server support
- Dynamic Host Configuration Protocol (DHCP) support
- Embedded Dynamic System Analysis (DSA)
- LAN over USB for in-band communications to the IMM
- Serial over LAN
- Remote power control
- Server console serial redirection

IMM2 Standard (as enabled by using the Feature on Demand software license key using part number 90Y3900) has the following features in addition to the IMM2 Basic features:

- Remote access through a secure web console
- Access to server vital product data (VPD)
- Automatic notification and alerts
- Continuous health monitoring and control
- Email alerts
- Syslog logging support
- Enhanced user authority levels
- Event logs that are time stamped, saved on the IMM, and that can be attached to email alerts
- OS watchdogs
- Remote configuration through Advanced Settings Utility (ASU)
- Remote firmware updating
- User authentication using a secure connection to a Lightweight Directory Access Protocol (LDAP) server

IMM2 Advanced (as enabled by using the Feature on Demand software license key using part number 90Y3901) adds the following features on top of those of IMM Standard:

- Remotely viewing video with graphics resolutions up to 1600x1200 at 75 Hz with up to 23 bits per pixel color depths, regardless of the system state
- Remotely accessing the server by using the keyboard and mouse from a remote client
- Mapping the CD or DVD drive, diskette drive, and USB flash drive on a remote client, and mapping ISO and diskette image files as virtual drives that are available for use by the server
- Uploading a diskette image to the IMM memory and mapping it to the server as a virtual drive

The blue-screen capture feature captures the video display contents before the IMM restarts the server when the IMM detects an operating system hang condition. A system administrator can use the blue-screen capture to assist in determining the cause of the hang condition.

The following table lists the remote management options.

**Note:** The IMM2 Advanced upgrade requires the IMM2 Standard upgrade.

Table 11. Remote management options

Feature codes	Description	Maximum supported
A1MK	Integrated Management Module Standard Upgrade	1
A1ML	Integrated Management Module Advanced Upgrade (requires Standard Upgrade, A1MK)	1

The nx360 M5 provides two Ethernet ports standard, one of which (port 1) is configured in UEFI by default to be shared between the operating system and the IMM2. In shared mode, this port enables you to connect remotely to the IMM2 to perform systems management functions. The following figure shows the location of the ports.

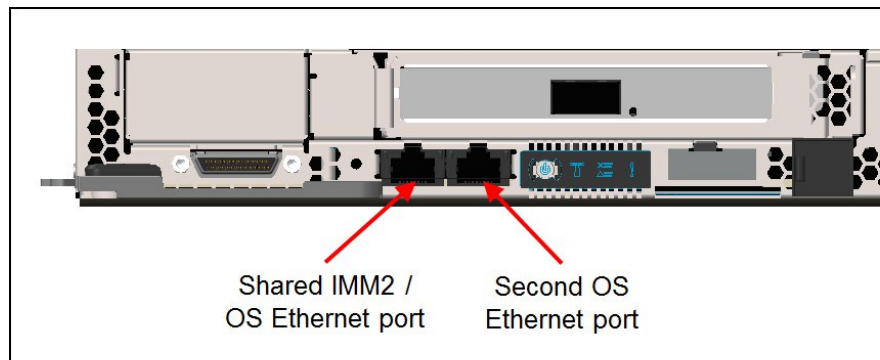


Figure 10. IMM port (some front panel perforations will not be present on the production model)

## Remote enclosure management

The NeXtScale n1200 WCT Enclosure offers a remote management capability through the FPC, which is at the back of the enclosure, as shown in the following figure.



Figure 11. Fan and Power Controller

The Fan and Power Controller has one external RJ45 port, which provides a 10/100 Mbps Ethernet connection for browser-based remote control.

The port provides the following interfaces:

- An HTTP (web browser) interface for remote management
- An IPMI interface to the IMM in each server
- An IPMI interface to higher managers, such as xCAT

The module provides the following functions:

- Power supply redundancy and over-subscription configuration
- Power capping/saving configuration
- Power restore policy
- Acoustic mode setting
- Configuration/log export to USB (a USB port is provided inside the module)
- IMM remote reset or Server remote reset (AC cycle)
- Status monitor: Power consumption, node status, power supply status, and fan status
- Network configuration

The FPC also includes a USB key that is housed inside the unit. The USB key stores the event log for the FPC plus power, cooling, and network configuration data.

## Supported operating systems

The server supports the following operating systems:

- Microsoft Windows Server 2012
- Microsoft Windows Server 2012 R2
- Microsoft Windows Server 2016
- Red Hat Enterprise Linux 6.6 (32-bit)
- Red Hat Enterprise Linux 6.6 (64-bit) including KVM
- Red Hat Enterprise Linux 7.1 (64-bit) including KVM
- SUSE Linux Enterprise Server 11 32-bit SP4
- SUSE Linux Enterprise Server 11 64-bit SP4
- SUSE Linux Enterprise Server 11 64-bit with Xen SP4
- SUSE Linux Enterprise Server 12 64-bit
- SUSE Linux Enterprise Server 12 with Xen
- VMware ESXi 6.0
- VMware ESXi 5.5

For the latest information about the specific versions and service levels that are supported and any other prerequisites, see the *Operating System Interoperability Guide*, <http://lenovopress.com/osig>

## Physical and electrical specifications

The NeXtScale nx360 M5 WCT compute tray features the following dimensions:

- Width: 432 mm (17.0 in.)
- Height: 41.0 mm (1.6 in.)
- Depth: 659 mm (25.9 in.)
- Weight (two servers on each compute tray): 13.3 kg (29.3 lb)

The NeXtScale n1200 WCT enclosure features the following dimensions:

- Width: 447 mm (17.6 in.)
- Height: 262.2 mm (10.3 in.)
- Depth : 915 mm (36.0 in.)
- Weight:
  - Fully configured: 122.4 kg (270 lb) (not including the weight of the manifold)
  - Empty chassis: approximately 38 kg (84 lb) (including water manifold section)

## Supported environment

The NeXtScale nx360 M5 WCT compute node complies with ASHRAE class A3 specifications. The node supports the following environments when it is powered on:

- Temperature: 5°C - 40°C (41°F - 104°F) up to 950 m (3,117 ft)
- Above 950m, de-rated maximum air temperature 1°C/175 m
- Humidity, non-condensing: -12°C dew point (10.4°F) and 8% - 85% relative humidity
- Maximum dew point: 24°C (75°F)
- Maximum altitude: 3050 m (10,000 ft) and 5°C - 28°C (41°F - 82°F)

The minimum humidity level for class A3 is the higher (more moisture) of the -12°C (10.4°F) dew point and the 8% relative humidity. These intersect at approximately 25°C (77°F). Below this intersection (approximately 25°C or 77°F), the dew point (-12°C or 10.4°F) represents the minimum moisture level, while above it relative humidity (8%) is the minimum.

Moisture levels lower than 0.5°C (32°F) dew point, but not lower -10 °C (14°F) dew point or 8% relative humidity, can be accepted if appropriate control measures are implemented to limit the generation of static electricity on personnel and equipment in the data center. All personnel and mobile furnishings and equipment must be connected to ground through an appropriate static control system.

The following items are considered the minimum requirements:

- All conductive flooring, conductive footwear on all personnel that go into the data center, and all mobile furnishings and equipment must be made of conductive or static dissipative materials.
- During maintenance on any hardware, a properly functioning wrist strap must be used by any personnel who come into contact with IT equipment.

To adhere to ASHRAE Class A3, Temperature: 36°C - 40°C (96.8°F - 104°F) with relaxed support, consider the following points:

- A support cloud like workload with no performance degradation is acceptable (Turbo-Off).
- Under no circumstance can any combination of worst case workload and configuration result in system shutdown or design exposure at 40°C (104°F).
- The worst case workload ( such as Linpack and Turbo-On) might have performance degradation.

The following specific component restrictions for the Intel Xeon Processor E5-2697 v3 and E5-2698A v3 :

- Temperature: 5°C - 35°C (41°F - 95°F)
- Altitude: 0 - 950 m (3,117 ft).

### **Cooling water requirements**

The water that is required to initially fill the system side cooling loop must be reasonably clean and bacteria-free water (less than 100 colony forming units [CFU]/ml), such as demineralized water, reverse osmosis water, deionized water, or distilled water. The water must be filtered with an in-line 50 micron filter. The water must be treated with antibiological and anticorrosion measures. The following requirements must be met:

- Minimum flow rate: 6 liters per minute
- Inlet water temperature :18° - 45°C (18°C - 35°C for Intel Xeon E5-2698A v3)

### **Electrical requirements**

The system operates at the following electrical specification:

- 100 - 127 (nominal) V AC; 50 Hz or 60 Hz; 6.8 A
- 200 - 240 (nominal) V AC; 50 Hz or 60 Hz; 5.0 A
- Input kilovolt-amperes (kVA) (approximately):
  - Minimum configuration: 0.1 kVA
  - Maximum configuration: 6.0 kVA

### **BTU output**

The system generates the following heat load:

- Minimum configuration: 341 Btu/hr (100 watts)
- Maximum configuration: 20,471 Btu/hr (6,000 watts)

**Noise level:** 7.0 bels (idle)

## Regulatory compliance

The server conforms to the following international standards:

- FCC - Verified to comply with Part 15 of the FCC Rules, Class A
- Canada ICES-003, issue 5, Class A
- UL/IEC 60950-1
- CSA C22.2 No. 60950-1
- NOM-019
- Argentina IEC60950-1
- Japan VCCI, Class A
- IEC 60950-1 (CB Certificate and CB Test Report)
- China CCC GB4943.1, GB9254, Class A, and GB17625.1
- Taiwan BSMI CNS13438, Class A; CNS14336-1
- Australia/New Zealand AS/NZS CISPR 22, Class A; AS/NZS 60950.1
- Korea KN22, Class A, KN24
- Russia/GOST ME01, IEC-60950-1, GOST R 51318.22, and GOST R 51318.24,
- GOST R 51317.3.2, GOST R 51317.3.3
- IEC 60950-1 (CB Certificate and CB Test Report)
- CE Mark (EN55022 Class A, EN60950-1, EN55024, and EN61000-3-2,
- EN61000-3-3)
- CISPR 22, Class A
- TUV-GS (EN60950-1/IEC 60950-1, and EK1-ITB2000)

## Warranty options

The system has a three-year customer-replaceable unit (CRU) and onsite (for field-replaceable units (FRUs) only) limited warranty with standard call center support during normal business hours and 9x5 Next Business Day Parts Delivered.

Also available are Lenovo Services warranty maintenance upgrades and post-warranty maintenance agreements, with a predefined scope of services, including service hours, response time, term of service, and service agreement terms and conditions.

Lenovo warranty service upgrade offerings are region-specific. Not all warranty service upgrades are available in every region. For more information about Lenovo warranty service upgrade offerings that are available in your region, go to the Data Center Advisor and Configurator website <http://dcsc.lenovo.com>, then do the following:

1. In the Customize a Model box in the middle of the page, select the **Services** option in the Customization Option dropdown menu
2. Enter the machine type & model of the system
3. From the search results, you can click either **Deployment Services** or **Support Services** to view the offerings

The following table explains warranty service definitions in more detail.

Table 12. Warranty service definitions

Term	Description
Onsite Service	If a problem with your product cannot be resolved via telephone, a Service Technician will be dispatched to arrive at your location.
Parts Delivered	If a problem with your product cannot be resolved via telephone and a CRU part is required, Lenovo will send a replacement CRU to arrive at your location. If a problem with your product cannot be resolved via telephone and a FRU part is required, a Service Technician will be dispatched to arrive at your location.
Technician Installed Parts	If a problem with your product cannot be resolved via telephone, a Service Technician will be dispatched to arrive at your location.
Hours of coverage	<ul style="list-style-type: none"> <li>● 9x5: 9 hours/day, 5 days/week, during normal business hours, excluding local public &amp; national holidays</li> <li>● 24x7: 24 hours per day, 7 days per week, 365 days per year.</li> </ul>
Response time target	2 hours, 4 hours, or Next Business Day: The time period from when the telephone based troubleshooting is completed and logged, to the delivery of the CRU or arrival of a Service Technician and part at the Customer's location for repair.
Committed Repair	6 hours: The time period between the service request registration in Lenovo's call management system and the restoration of the product to conformance with its specification by a Service Technician.

The following Lenovo warranty service upgrades are available:

- Warranty and maintenance service upgrades:
  - Three, four, or five years of 9x5 or 24x7 service coverage
  - Parts delivered or technician installed parts from next business day to 4 or 2 hours
  - Committed repair service
  - Warranty extension of up to 5 years
  - Post warranty extensions
- Committed Repair Service
 

Committed Repair Services enhances the level of Warranty Service Upgrade or Post Warranty/Maintenance Service offering associated with the selected systems. Offerings vary and are available in select countries.

  - Priority handling to meet defined time frames to restore the failing machine to good working condition
  - 24x7x6 committed repair: Service performed 24 hours per day, 7 days per week, within 6 hours
- YourDrive YourData
 

Lenovo's YourDrive YourData service is a multi-drive retention offering that ensures your data is always under your control, regardless of the number of drives that are installed in your Lenovo server. In the unlikely event of a drive failure, you retain possession of your drive while Lenovo replaces the failed drive part. Your data stays safely on your premises, in your hands. The YourDrive YourData service can be purchased in convenient bundles with Lenovo warranty upgrades and extensions.
- Microcode Support
 

Keeping microcode current helps prevent hardware failures and security exposure. There are two levels of service: analysis of the installed base and analysis and update where required. Offerings vary by region and can be bundled with other warranty upgrades and extensions.



- **Enterprise Software Support**  
Lenovo Enterprise Server Software Support can help you troubleshoot your entire server software stack. Choose support for server operating systems from Microsoft, Red Hat, SUSE, and VMware; Microsoft server applications; or both operating systems and applications. Support staff can help answer troubleshooting and diagnostic questions, address product compatibility and interoperability issues, isolate causes of problems, report defects to software vendors, and more.

In addition, you can access hardware “how to” support for System x servers. Staff can help resolve hardware problems not covered under warranty, refer you to the right documentation and publications, provide corrective service information for known defects, and transfer you to a hardware support call center if needed.

- **Hardware Installation Services**  
Lenovo experts can seamlessly manage the physical installation of your server, storage, or networking hardware. Working at a time convenient for you (business hours or off shift), the technician will unpack and inspect the systems on your site, install options, mount in a rack cabinet, connect to power and network, check and update firmware to the latest levels, verify operation, and dispose of the packaging, allowing your team to focus on other priorities. Your new systems will be configured and ready for your software installation.

## Rack cabinets

The NeXtScale n1200 WCT enclosure is supported in the following racks:

- 42U 1100 mm Enterprise V2 Deep Dynamic Rack
- 42U 1100 mm Dynamic Enterprise V2 Expansion Rack

For more information, see the list of Lenovo Press Product Guides in the Rack cabinets and options category:

<http://lenovopress.com/systemx/rack>

## KVM console options

The following table lists the supported KVM consoles, keyboards, and KVM switches.

Table 13. Console keyboards

Part number	Description
Consoles	
17238BX	1U 18.5" Standard Console (without keyboard)
Console keyboards	
00MW310	Lenovo UltraNav Keyboard USB - US Eng
46W6713	Keyboard w/ Int. Pointing Device USB - Arabic 253 RoHS v2
46W6714	Keyboard w/ Int. Pointing Device USB - Belg/UK 120 RoHS v2
46W6715	Keyboard w/ Int. Pointing Device USB - Chinese/US 467 RoHS v2
46W6716	Keyboard w/ Int. Pointing Device USB - Czech 489 RoHS v2
46W6717	Keyboard w/ Int. Pointing Device USB - Danish 159 RoHS v2
46W6718	Keyboard w/ Int. Pointing Device USB - Dutch 143 RoHS v2
46W6719	Keyboard w/ Int. Pointing Device USB - French 189 RoHS v2
46W6720	Keyboard w/ Int. Pointing Device USB - Fr/Canada 445 RoHS v2
46W6721	Keyboard w/ Int. Pointing Device USB - German 129 RoHS v2
46W6722	Keyboard w/ Int. Pointing Device USB - Greek 219 RoHS v2

<b>Part number</b>	<b>Description</b>
46W6723	Keyboard w/ Int. Pointing Device USB - Hebrew 212 RoHS v2
46W6724	Keyboard w/ Int. Pointing Device USB - Hungarian 208 RoHS v2
46W6725	Keyboard w/ Int. Pointing Device USB - Italian 141 RoHS v2
46W6726	Keyboard w/ Int. Pointing Device USB - Japanese 194 RoHS v2
46W6727	Keyboard w/ Int. Pointing Device USB - Korean 413 RoHS v2
46W6728	Keyboard w/ Int. Pointing Device USB - LA Span 171 RoHS v2
46W6729	Keyboard w/ Int. Pointing Device USB - Norwegian 155 RoHS v2
46W6730	Keyboard w/ Int. Pointing Device USB - Polish 214 RoHS v2
46W6731	Keyboard w/ Int. Pointing Device USB - Portuguese 163 RoHS v2
46W6732	Keyboard w/ Int. Pointing Device USB - Russian 441 RoHS v2
46W6733	Keyboard w/ Int. Pointing Device USB - Slovak 245 RoHS v2
46W6734	Keyboard w/ Int. Pointing Device USB - Spanish 172 RoHS v2
46W6735	Keyboard w/ Int. Pointing Device USB - Swed/Finn 153 RoHS v2
46W6736	Keyboard w/ Int. Pointing Device USB - Swiss F/G 150 RoHS v2
46W6737	Keyboard w/ Int. Pointing Device USB - Thai 191 RoHS v2
46W6738	Keyboard w/ Int. Pointing Device USB - Turkish 179 RoHS v2
46W6739	Keyboard w/ Int. Pointing Device USB - UK Eng 166 RoHS v2
46W6740	Keyboard w/ Int. Pointing Device USB - US Euro 103P RoHS v2
46W6741	Keyboard w/ Int. Pointing Device USB - Slovenian 234 RoHS v2
<b>Console switches</b>	
1754D2X	Global 4x2x32 Console Manager (GCM32)
1754D1X	Global 2x2x16 Console Manager (GCM16)
1754A2X	Local 2x16 Console Manager (LCM16)
1754A1X	Local 1x8 Console Manager (LCM8)
<b>Console switch cables</b>	
43V6147	Single Cable USB Conversion Option (UCO)
39M2895	USB Conversion Option (4 Pack UCO)
46M5383	Virtual Media Conversion Option Gen2 (VCO2)
46M5382	Serial Conversion Option (SCO)

For more information, see the list of Product Guides in the KVM Switches and Consoles category:  
<http://lenovopress.com/servers/options/kvm>

## Top-of-rack Ethernet switches

The server supports the top-of-rack Ethernet switches that are listed in the following table.

Table 14. Top-of-rack switches

Part number	Description
1 Gb top-of-rack switches	
715952F	Lenovo RackSwitch G8052 (Front to Rear)
10 Gb top-of-rack switches	
7159BF7	Lenovo RackSwitch G8124E (Front to Rear)
715964F	Lenovo RackSwitch G8264 (Front to Rear)
7159DFX	Lenovo RackSwitch G8264CS (Front to Rear)
7159CFV	Lenovo RackSwitch G8272 (Front to Rear)
7159GR5	Lenovo RackSwitch G8296 (Front to Rear)
40 Gb top-of-rack switches	
7159BFX	Lenovo RackSwitch G8332 (Front to Rear)

For more information, see the list of Product Guides in the Top-of-rack switches categories:

- 1 Gb Ethernet switches: <http://lenovopress.com/networking/tor/1gb?rt=product-guide>
- 10 Gb Ethernet switches: <http://lenovopress.com/networking/tor/10gb?rt=product-guide>
- 40 Gb Ethernet switches: <http://lenovopress.com/networking/tor/40gb?rt=product-guide>

Additional edge switches are offered as part of the Intelligent Cluster™ program, as listed in the following table.

Table 15. Switches in the Intelligent Cluster program

Feature code	Description
1 Gb top-of-rack switches	
2733	Cisco 2960G-48TC-L (48 port, Layer 2)
Not available	Juniper EX4200 (48 port, Layer 2/3)
6941	SMC 8126L2 (26 port, Layer 2)
6673	SMC 8150L2 (50 port, Layer 2)
10 Gb top-of-rack switches	
A1M6	Cisco 3750X-48T-L (48 port, Layer 2/3)

## Uninterruptible power supply units

The following table lists the uninterruptible power supply (UPS) units that are offered by Lenovo.

Table 16. Uninterruptible power supply units

Part number	Description
Rack-mounted or tower UPS units - 100-125VAC	
7DD5A001WW	RT1.5kVA 2U Rack or Tower UPS-G2 (100-125VAC)
55941AX	RT1.5kVA 2U Rack or Tower UPS (100-125VAC)
55942AX	RT2.2kVA 2U Rack or Tower UPS (100-125VAC)
7DD5A003WW	RT3kVA 2U Rack or Tower UPS-G2 (100-125VAC)
55943AX	RT3kVA 2U Rack or Tower UPS (100-125VAC)
Rack-mounted or tower UPS units - 200-240VAC	
7DD5A002WW	RT1.5kVA 2U Rack or Tower UPS-G2 (200-240VAC)
55941KX	RT1.5kVA 2U Rack or Tower UPS (200-240VAC)
55942KX	RT2.2kVA 2U Rack or Tower UPS (200-240VAC)
7DD5A005WW	RT3kVA 2U Rack or Tower UPS-G2 (200-240VAC)
55943KX	RT3kVA 2U Rack or Tower UPS (200-240VAC)
7DD5A007WW	RT5kVA 3U Rack or Tower UPS-G2 (200-240VAC)
55945KX	RT5kVA 3U Rack or Tower UPS (200-240VAC)
7DD5A008WW	RT6kVA 3U Rack or Tower UPS-G2 (200-240VAC)
55946KX	RT6kVA 3U Rack or Tower UPS (200-240VAC)
55948KX	RT8kVA 6U Rack or Tower UPS (200-240VAC)
7DD5A00AWW	RT11kVA 6U Rack or Tower UPS-G2 (200-240VAC)
55949KX	RT11kVA 6U Rack or Tower UPS (200-240VAC)
55943KT†	ThinkSystem RT3kVA 2U Standard UPS (200-230VAC) (2x C13 10A, 2x GB 10A, 1x C19 16A outlets)
55943LT†	ThinkSystem RT3kVA 2U Long Backup UPS (200-230VAC) (2x C13 10A, 2x GB 10A, 1x C19 16A outlets)
55946KT†	ThinkSystem RT6kVA 5U UPS (200-230VAC) (2x C13 10A outlets, 1x Terminal Block output)
5594XKT†	ThinkSystem RT10kVA 5U UPS (200-230VAC) (2x C13 10A outlets, 1x Terminal Block output)
Rack-mounted or tower UPS units - 380-415VAC	
55948PX	RT8kVA 6U 3:1 Phase Rack or Tower UPS (380-415VAC)
55949PX	RT11kVA 6U 3:1 Phase Rack or Tower UPS (380-415VAC)

† Only available in China and the Asia Pacific market.

For more information, see the list of Product Guides in the UPS category:

<https://lenovopress.com/servers/options/ups>

## Power distribution units

The following table lists the power distribution units (PDUs) that are offered by Lenovo.

Table 17. Power distribution units

Part number	Feature code	Description	ANZ	ASEAN	Brazil	EET	MEA	RUCIS	WE	HTK	INDIA	JAPAN	LA	NA	PRC
<b>0U Basic PDUs</b>															
4PU7A93176	C0QH	0U 36 C13 and 6 C19 Basic 32A 1 Phase PDU v2	Y	Y	Y	Y	Y	Y	Y	Y	Y	N	Y	Y	Y
4PU7A93169	C0DA	0U 36 C13 and 6 C19 Basic 32A 1 Phase PDU	Y	Y	Y	Y	Y	Y	Y	Y	Y	N	Y	Y	Y
4PU7A93177	C0QJ	0U 24 C13/C15 and 24 C13/C15/C19 Basic 32A 3 Phase WYE PDU v2	Y	Y	Y	Y	Y	Y	Y	Y	Y	Y	Y	Y	Y
4PU7A93170	C0D9	0U 24 C13/C15 and 24 C13/C15/C19 Basic 32A 3 Phase WYE PDU	Y	Y	Y	Y	Y	Y	Y	Y	Y	N	Y	Y	Y
00YJ776	ATZY	0U 36 C13/6 C19 24A 1 Phase PDU	N	Y	Y	N	N	N	N	N	N	Y	Y	Y	N
00YJ779	ATZX	0U 21 C13/12 C19 48A 3 Phase PDU	N	N	Y	N	N	N	Y	N	N	Y	Y	Y	N
00YJ777	ATZZ	0U 36 C13/6 C19 32A 1 Phase PDU	Y	Y	Y	Y	Y	Y	Y	Y	Y	N	N	Y	Y
00YJ778	AU00	0U 21 C13/12 C19 32A 3 Phase PDU	Y	Y	N	Y	Y	Y	Y	Y	Y	N	N	Y	Y
<b>0U Switched and Monitored PDUs</b>															
4PU7A93181	C0QN	0U 21 C13/C15 and 21 C13/C15/C19 Switched and Monitored 48A 3 Phase Delta PDU v2 (60A derated)	N	Y	N	N	N	N	N	Y	N	Y	N	Y	N
4PU7A93174	C0D5	0U 21 C13/C15 and 21 C13/C15/C19 Switched and Monitored 48A 3 Phase Delta PDU (60A derated)	N	Y	N	N	N	N	N	Y	N	N	N	Y	N
4PU7A93178	C0QK	0U 20 C13 and 4 C19 Switched and Monitored 32A 1 Phase PDU v2	Y	Y	Y	Y	Y	Y	Y	Y	Y	N	Y	Y	Y
4PU7A93171	C0D8	0U 20 C13 and 4 C19 Switched and Monitored 32A 1 Phase PDU	Y	Y	Y	Y	Y	Y	Y	Y	Y	N	Y	Y	Y
4PU7A93182	C0QP	0U 18 C13/C15 and 18 C13/C15/C19 Switched and Monitored 63A 3 Phase WYE PDU v2	Y	Y	Y	Y	Y	Y	Y	Y	Y	Y	Y	Y	Y
4PU7A93175	C0CS	0U 18 C13/C15 and 18 C13/C15/C19 Switched and Monitored 63A 3 Phase WYE PDU	Y	Y	Y	Y	Y	Y	Y	Y	Y	N	Y	Y	Y
4PU7A93180	C0QM	0U 18 C13/C15 and 18 C13/C15/C19 Switched and Monitored 32A 3 Phase WYE PDU v2	Y	Y	Y	Y	Y	Y	Y	Y	Y	Y	Y	Y	Y
4PU7A93173	C0D6	0U 18 C13/C15 and 18 C13/C15/C19 Switched and Monitored 32A 3 Phase WYE PDU	Y	Y	Y	Y	Y	Y	Y	Y	Y	N	Y	Y	Y
4PU7A93179	C0QL	0U 16 C13/C15 and 16 C13/C15/C19 Switched and Monitored 24A 1 Phase PDU v2 (30A derated)	N	Y	N	N	N	N	N	Y	N	Y	N	Y	N
4PU7A93172	C0D7	0U 16 C13/C15 and 16 C13/C15/C19 Switched and Monitored 24A 1 Phase PDU(30A derated)	N	Y	N	N	N	N	N	Y	N	N	N	Y	N
00YJ783	AU04	0U 12 C13/12 C19 Switched and Monitored 48A 3 Phase PDU	N	N	Y	N	N	N	Y	N	N	Y	Y	Y	N

Part number	Feature code	Description	ANZ	ASEAN	Brazil	EET	MEA	RUCIS	WE	HTK	INDIA	JAPAN	LA	NA	PRC
00YJ781	AU03	0U 20 C13/4 C19 Switched and Monitored 24A 1 Phase PDU	N	N	Y	N	Y	N	Y	N	N	Y	Y	Y	N
00YJ782	AU02	0U 18 C13/6 C19 Switched and Monitored 32A 3 Phase PDU	Y	Y	Y	Y	Y	Y	Y	Y	Y	N	Y	N	Y
00YJ780	AU01	0U 20 C13/4 C19 Switched and Monitored 32A 1 Phase PDU	Y	Y	Y	Y	Y	Y	Y	Y	Y	N	Y	N	Y
<b>1U Switched and Monitored PDUs</b>															
4PU7A90808	C0D4	1U 18 C19/C13 Switched and monitored 48A 3P WYE PDU V2 ETL	N	N	N	N	N	N	N	Y	N	Y	Y	Y	N
4PU7A81117	BNDV	1U 18 C19/C13 switched and monitored 48A 3P WYE PDU - ETL	N	N	N	N	N	N	N	N	N	N	N	Y	N
4PU7A90809	C0DE	1U 18 C19/C13 Switched and monitored 48A 3P WYE PDU V2 CE	Y	Y	Y	Y	Y	Y	Y	Y	Y	Y	Y	N	Y
4PU7A81118	BNDW	1U 18 C19/C13 switched and monitored 48A 3P WYE PDU – CE	Y	Y	Y	Y	Y	Y	Y	Y	Y	Y	Y	N	Y
4PU7A90810	C0DD	1U 18 C19/C13 Switched and monitored 80A 3P Delta PDU V2	N	N	N	N	N	N	N	Y	N	Y	Y	Y	N
4PU7A77467	BLC4	1U 18 C19/C13 Switched and Monitored 80A 3P Delta PDU	N	N	N	N	N	N	N	N	N	Y	N	Y	N
4PU7A90811	C0DC	1U 12 C19/C13 Switched and monitored 32A 3P WYE PDU V2	Y	Y	Y	Y	Y	Y	Y	Y	Y	Y	Y	Y	Y
4PU7A77468	BLC5	1U 12 C19/C13 switched and monitored 32A 3P WYE PDU	Y	Y	Y	Y	Y	Y	Y	Y	Y	Y	Y	Y	Y
4PU7A90812	C0DB	1U 12 C19/C13 Switched and monitored 60A 3P Delta PDU V2	N	N	N	N	N	N	N	Y	N	Y	Y	Y	N
4PU7A77469	BLC6	1U 12 C19/C13 switched and monitored 60A 3P Delta PDU	N	N	N	N	N	N	N	N	N	N	N	Y	N
46M4002	5896	1U 9 C19/3 C13 Switched and Monitored DPI PDU	Y	Y	Y	Y	Y	Y	Y	Y	Y	Y	Y	Y	Y
46M4004	5894	1U 12 C13 Switched and Monitored DPI PDU	Y	Y	Y	Y	Y	Y	Y	Y	Y	Y	Y	Y	Y
46M4003	5897	1U 9 C19/3 C13 Switched and Monitored 60A 3 Phase PDU	Y	Y	Y	Y	Y	Y	Y	Y	Y	Y	Y	Y	Y
46M4005	5895	1U 12 C13 Switched and Monitored 60A 3 Phase PDU	Y	Y	Y	Y	Y	Y	Y	Y	Y	Y	Y	Y	Y
<b>1U Ultra Density Enterprise PDUs (9x IEC 320 C13 + 3x IEC 320 C19 outlets)</b>															
71763NU	6051	Ultra Density Enterprise C19/C13 PDU 60A/208V/3PH	N	N	Y	N	N	N	N	N	N	Y	Y	Y	N
71762NX	6091	Ultra Density Enterprise C19/C13 PDU Module	Y	Y	Y	Y	Y	Y	Y	Y	Y	Y	Y	Y	Y
<b>1U C13 Enterprise PDUs (12x IEC 320 C13 outlets)</b>															
39M2816	6030	DPI C13 PDU+	Y	Y	Y	Y	Y	Y	Y	Y	Y	Y	Y	Y	Y
39Y8941	6010	Enterprise C13 PDU	Y	Y	Y	Y	Y	Y	Y	Y	Y	Y	Y	Y	Y
<b>1U C19 Enterprise PDUs (6x IEC 320 C19 outlets)</b>															
39Y8948	6060	Enterprise C19 PDU	Y	Y	Y	Y	Y	Y	Y	Y	Y	Y	Y	Y	Y

Part number	Feature code	Description	ANZ	ASEAN	Brazil	EET	MEA	RUCIS	WE	HTK	INDIA	JAPAN	LA	NA	PRC
39Y8923	6061	Enterprise C19 3 phase PDU (60a)	N	N	Y	N	N	N	Y	N	N	N	Y	Y	N
<b>1U Front-end PDUs (3x IEC 320 C19 outlets)</b>															
39Y8938	6002	DPI 30amp/125V Front-end PDU with NEMA L5-30P	Y	Y	Y	Y	Y	Y	Y	Y	Y	Y	Y	Y	Y
39Y8939	6003	DPI 30amp/250V Front-end PDU with NEMA L6-30P	Y	Y	Y	Y	Y	Y	Y	Y	Y	Y	Y	Y	Y
39Y8934	6005	DPI 32amp/250V Front-end PDU with IEC 309 2P+Gnd	Y	Y	Y	Y	Y	Y	Y	Y	Y	Y	Y	Y	Y
39Y8940	6004	DPI 60amp/250V Front-end PDU with IEC 309 2P+Gnd connector	Y	N	Y	Y	Y	Y	Y	N	N	Y	Y	Y	N
39Y8935	6006	DPI 63amp/250V Front-end PDU with IEC 309 2P+Gnd connector	Y	Y	Y	Y	Y	Y	Y	Y	Y	Y	Y	Y	Y
<b>1U NEMA PDUs (6x NEMA 5-15R outlets)</b>															
39Y8905	5900	DPI 100-127v PDU with Fixed Nema L5-15P line cord	Y	Y	Y	Y	Y	Y	Y	Y	Y	Y	Y	Y	Y
<b>Line cords for 1U PDUs that ship without a line cord</b>															
40K9611	6504	DPI 32a Cord (IEC 309 3P+N+G)	Y	Y	Y	Y	Y	Y	Y	Y	Y	Y	Y	Y	Y
40K9612	6502	DPI 32a Cord (IEC 309 P+N+G)	Y	Y	Y	Y	Y	Y	Y	Y	Y	Y	Y	Y	Y
40K9613	6503	DPI 63a Cord (IEC 309 P+N+G)	Y	Y	Y	Y	Y	Y	Y	Y	Y	Y	Y	Y	Y
40K9614	6500	DPI 30a Cord (NEMA L6-30P)	Y	Y	Y	Y	Y	Y	Y	Y	Y	Y	Y	Y	Y
40K9615	6501	DPI 60a Cord (IEC 309 2P+G)	N	N	Y	N	N	N	Y	N	N	Y	Y	Y	N
40K9617	6505	4.3m, 32A/230V, Souriau UTG to AS/NZS 3112 (Aus/NZ) Line Cord	Y	Y	Y	Y	Y	Y	Y	Y	Y	Y	Y	Y	Y
40K9618	6506	4.3m, 32A/250V, Souriau UTG Female to KSC 8305 (S. Korea) Line Cord	Y	Y	Y	Y	Y	Y	Y	Y	Y	Y	Y	Y	Y

For more information, see the Lenovo Press documents in the PDU category:  
<https://lenovopress.com/servers/options/pdu>

## Lenovo Financial Services

Why wait to obtain the technology you need now? No payments for 90 days and predictable, low monthly payments make it easy to budget for your Lenovo solution.

- **Flexible**

Our in-depth knowledge of the products, services and various market segments allows us to offer greater flexibility in structures, documentation and end of lease options.

- **100% Solution Financing**

Financing your entire solution including hardware, software, and services, ensures more predictability in your project planning with fixed, manageable payments and low monthly payments.

- **Device as a Service (DaaS)**

Leverage latest technology to advance your business. Customized solutions aligned to your needs. Flexibility to add equipment to support growth. Protect your technology with Lenovo's Premier Support service.

- **24/7 Asset management**

Manage your financed solutions with electronic access to your lease documents, payment histories, invoices and asset information.

- **Fair Market Value (FMV) and \$1 Purchase Option Leases**

Maximize your purchasing power with our lowest cost option. An FMV lease offers lower monthly payments than loans or lease-to-own financing. Think of an FMV lease as a rental. You have the flexibility at the end of the lease term to return the equipment, continue leasing it, or purchase it for the fair market value. In a \$1 Out Purchase Option lease, you own the equipment. It is a good option when you are confident you will use the equipment for an extended period beyond the finance term. Both lease types have merits depending on your needs. We can help you determine which option will best meet your technological and budgetary goals.

Ask your Lenovo Financial Services representative about this promotion and how to submit a credit application. For the majority of credit applicants, we have enough information to deliver an instant decision and send a notification within minutes.

## Related publications and links

For more information, see these resources:

- NeXtScale System home page  
<https://www3.lenovo.com/us/en/data-center/servers/high-density/NeXtScale-System-M5/p/77XS7DS7D11>
- *NeXtScale nx360 M5 WCT and n1200 WCT Installation and Service Guide*  
<https://support.lenovo.com/docs/UM103548>
- Power Configurator  
<https://support.lenovo.com/documents/LNVO-PWRCONF>
- Power planning documents  
<https://support.lenovo.com/documents/LNVO-POWINF>
- xREF - System x Reference  
<http://lenovopress.com/xref>



## Related product families

Product families related to this document are the following:

- [Supercomputing Servers](#)

## Notices

Lenovo may not offer the products, services, or features discussed in this document in all countries. Consult your local Lenovo representative for information on the products and services currently available in your area. Any reference to a Lenovo product, program, or service is not intended to state or imply that only that Lenovo product, program, or service may be used. Any functionally equivalent product, program, or service that does not infringe any Lenovo intellectual property right may be used instead. However, it is the user's responsibility to evaluate and verify the operation of any other product, program, or service. Lenovo may have patents or pending patent applications covering subject matter described in this document. The furnishing of this document does not give you any license to these patents. You can send license inquiries, in writing, to:

Lenovo (United States), Inc.  
8001 Development Drive  
Morrisville, NC 27560  
U.S.A.  
Attention: Lenovo Director of Licensing

LENOVO PROVIDES THIS PUBLICATION "AS IS" WITHOUT WARRANTY OF ANY KIND, EITHER EXPRESS OR IMPLIED, INCLUDING, BUT NOT LIMITED TO, THE IMPLIED WARRANTIES OF NON-INFRINGEMENT, MERCHANTABILITY OR FITNESS FOR A PARTICULAR PURPOSE. Some jurisdictions do not allow disclaimer of express or implied warranties in certain transactions, therefore, this statement may not apply to you.

This information could include technical inaccuracies or typographical errors. Changes are periodically made to the information herein; these changes will be incorporated in new editions of the publication. Lenovo may make improvements and/or changes in the product(s) and/or the program(s) described in this publication at any time without notice.

The products described in this document are not intended for use in implantation or other life support applications where malfunction may result in injury or death to persons. The information contained in this document does not affect or change Lenovo product specifications or warranties. Nothing in this document shall operate as an express or implied license or indemnity under the intellectual property rights of Lenovo or third parties. All information contained in this document was obtained in specific environments and is presented as an illustration. The result obtained in other operating environments may vary. Lenovo may use or distribute any of the information you supply in any way it believes appropriate without incurring any obligation to you.

Any references in this publication to non-Lenovo Web sites are provided for convenience only and do not in any manner serve as an endorsement of those Web sites. The materials at those Web sites are not part of the materials for this Lenovo product, and use of those Web sites is at your own risk. Any performance data contained herein was determined in a controlled environment. Therefore, the result obtained in other operating environments may vary significantly. Some measurements may have been made on development-level systems and there is no guarantee that these measurements will be the same on generally available systems. Furthermore, some measurements may have been estimated through extrapolation. Actual results may vary. Users of this document should verify the applicable data for their specific environment.

© Copyright Lenovo 2025. All rights reserved.

This document, LP0544, was created or updated on October 15, 2017.

Send us your comments in one of the following ways:

- Use the online Contact us review form found at:  
<https://lenovopress.lenovo.com/LP0544>
- Send your comments in an e-mail to:  
[comments@lenovopress.com](mailto:comments@lenovopress.com)

This document is available online at <https://lenovopress.lenovo.com/LP0544>.

## Trademarks

Lenovo and the Lenovo logo are trademarks or registered trademarks of Lenovo in the United States, other countries, or both. A current list of Lenovo trademarks is available on the Web at <https://www.lenovo.com/us/en/legal/copytrade/>.

The following terms are trademarks of Lenovo in the United States, other countries, or both:

Lenovo®

BladeCenter®

NeXtScale System®

System x®

ThinkSystem®

UltraNav®

The following terms are trademarks of other companies:

Intel® and Xeon® are trademarks of Intel Corporation or its subsidiaries.

Linux® is the trademark of Linus Torvalds in the U.S. and other countries.

Microsoft®, Hyper-V®, Windows Server®, and Windows® are trademarks of Microsoft Corporation in the United States, other countries, or both.

Interconnect® is a trademark of IBM in the United States, other countries, or both.

Other company, product, or service names may be trademarks or service marks of others.