



## Lenovo 0U Switched & Monitored PDUs

### Product Guide

The Lenovo zero-U (0U) Switched and Monitored power distribution units (PDUs) are the ideal solutions when you need flexible, reliable, easy-to-deploy power distribution with branch circuit protection to minimize downtime. These rack-dense units distribute power to up to 42 outlets. 0U PDUs are designed to be installed vertically in the rear channel or side pockets of a Lenovo rack, thereby not consuming any horizontal rack space that otherwise be used by servers, storage and network switches (hence the term 0U).

The following figure displays the 0U Switched and Monitored PDUs.

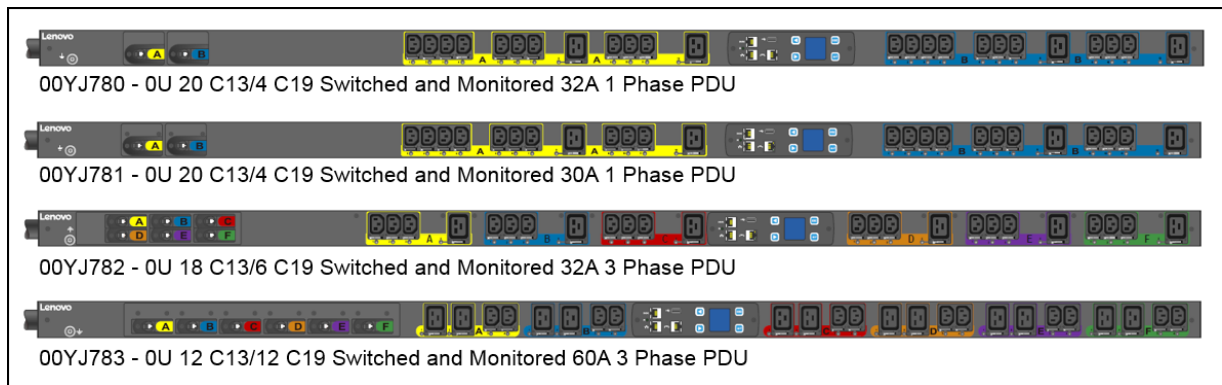


Figure 1. Lenovo 0U Switched and Monitored PDUs

### Did you know?

With ever growing power densities in today's rack environments, it is all too easy to add load in the wrong place and trigger an overload event. The 0U Switched and Monitored PDU offerings can minimize this impact, providing the ability to quickly recover with resettable circuit breakers for each designated bank of receptacles, referred to as load groups. Breakers are color coded to the receptacles in a particular load group to aid in configuration, installation, and maintenance. Furthermore, these PDUs also offer individual outlet remote monitoring and switching (on/off), which allows for remote power sequencing and further helping to prevent unintended PDU overloading.

## Introduction to PDUs

A power distribution unit (PDU) is a highly reliable, multiple outlet power strip designed to consolidate line cords within the rack and distribute conditioned power from an uninterruptible power supply (UPS) or utility power to servers and other IT equipment. The PDU efficiently distributes power within the rack and provides fault-tolerant power redundancy for high availability requirements.

There are three types of PDUs available from Lenovo: basic, monitored, and switched & monitored. The PDUs covered in this document are of the switched & monitored type.

- **Basic PDUs:** The simplest and most cost-effective power distribution. Available with various outlet configurations and line cord options to support different systems and load requirements.
- **Monitored PDUs:** provides the same benefits as a Basic PDU, but adds additional advanced PDU power monitoring down to the load group. This enables businesses to have a cross-platform rack-level power and thermal view for trending analysis to improve power management
- **Switched & monitored PDUs:** These are advanced power management solutions, providing power monitoring at the outlet level, with increased accuracy at low amperages, for more precise views of power consumption down to the individual server level instead of at the consolidated load group. These PDUs also offer management via a web-based interface which includes individual outlet switching (on/off). Outlet switching allows for remote power sequencing and helps prevent unintended PDU overloading.

## Part number information

The following table provides the ordering part numbers and feature codes for the 0U Switched and Monitored PDUs.

Table 1. Ordering part numbers and feature codes

Part number	Feature code	Description	Region availability*
00YJ781	AU03	0U 20 C13/4 C19 Switched and Monitored 24A 1 Phase PDU (30A derated)	North America

\* See region availability below

## Region availability

PDUs indicated in Table 1 as available for North America are available in the following countries:

- United States
- Canada
- Mexico
- Saudi Arabia
- Japan
- Philippines
- Some of Brazil

PDUs indicated in Table 1 as available Internationally are available in these regions:

- Europe
- Africa
- Most of the Middle East
- Most of Asia
- Australia/New Zealand
- Most of South America

## Included with the PDUs

The PDUs include the following items:

- One Power Distribution Unit with an attached power cord
- Two spare black plastic key hole buttons for securing clip feet on rack
- Mounting hardware
- Adhesive power feed labels: 1x blue arrow and 1x red arrow (to indicate power source flow)
- PDU warranty poster
- Safety CD
- Important notice
- Quick start guide
- Serial cable (RJ-45 to DB9)
- Ethernet cable, 60cm
- RJ-45 Y-splitter adapter for daisy chaining PDUs
- MAC Address information

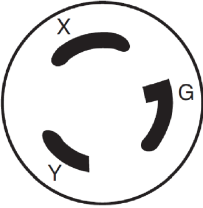
## **Features and specifications**

The 0U Switched & Monitored PDUs have the following common features:

- Address-specific IP security masks to prevent unauthorized access
- Comprehensive power management and flexible configuration through a web browser, NMS, Telnet, SNMP, or HyperTerminal (console)
- Configurable user-security control
- Daily history report through email
- Detailed data-logging for statistical analysis and diagnostics
- Easy-to-use interface to display input and output status
- Event notification through SNMP trap or email alerts
- Monitoring of the PDU locally or remotely through a console or network
- Remote monitoring of connected devices and sensors
- Support for Uninterruptable Power Supply Protector (UPP) and Uninterruptable Power Supply Manager (UPM) software.

The following table compares the technical and environmental specifications of the 0U Switched and Monitored PDUs.

Table 2. PDU specifications

Feature	0U 20 C13/4 C19 Switched and Monitored 24A 1 Phase PDU
Part Number	00YJ781
Feature Code	AU03
Region	North America
<b>Input power</b>	
Number of phases	Single phase input
Line cord	Attached line cord, 3 m length (9-ft, 10-in)
Line cord connector	NEMA L6-30P
Plug design	
Input voltage	200-240V
Input current	24A (derated from 30A)
Maximum power rating	5760 VA
<b>Output power</b>	
Number of C13 outlets	20
Number of C19 outlets	4
Output voltage rating at 50/60Hz	200-240V
Output current rating	Each C13 outlet: 10 amps; Each C19 outlet: 16 amps
Circuit breakers	Two double-pole branch rated circuit breakers rated at 16A
Number of load groups	2 (A, B)
Number of outlets per load group	A = 10x C13, 2x C19 B = 10x C13, 2x C19
Capacity per load group (Amps)	A = 20 A B = 20 A
Capacity per phase (Amps)	Not applicable
Capacity per PDU (Amps)	24 A
<b>Mechanical and environmental</b>	
Physical dimensions (DxWxH)	2.5 x 2.0 x 66.4 in 66 x 52 x 1689 mm
Weight	5.1 kg / 11.2 lb
Operating temperature	10° C to 55° C 50° F - 122° F
Operating humidity	5% to 95% without condensation

## Connectors and load groups

The 0U Switched and Monitored PDUs with 20 C13 connectors and 4 C19 connectors (part number 00YJ781) has the components and controls as shown in the following figure.

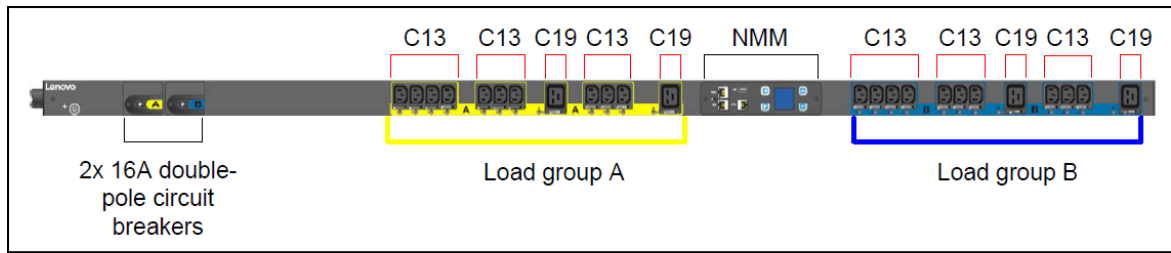


Figure 2. Load groups for part number 00YJ781

## Management interface

The switched and managed PDUs include Network Management Module (NMM) that provides the interface and connectors to manage the PDU. The following figure shows the LCD screen and the ports of the NMM. The LCD interface provides information about the load status, events, measurements, identification, and settings.

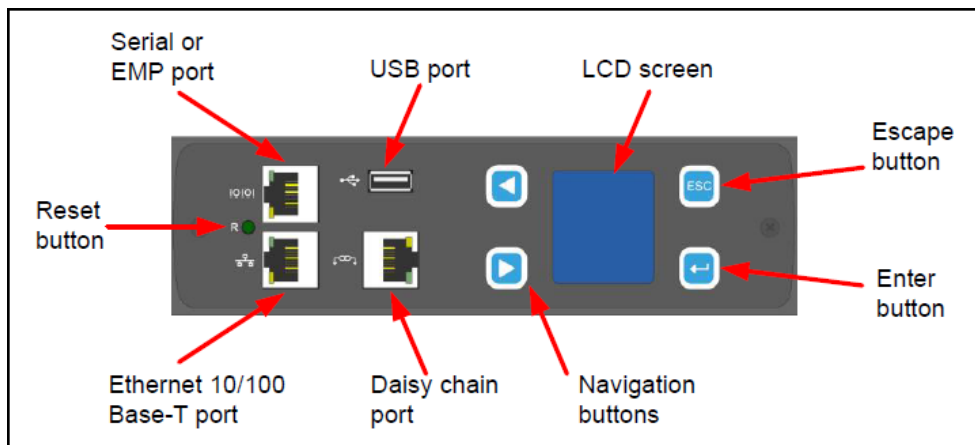


Figure 5. Interface of the Network Management Module

The components of the NMM are as follows:

- **LCD screen and navigation buttons** : There are four buttons surrounding the LCD screen that control the display; press the up and down buttons to navigate the menus; press the Enter button to select the current menu or option; press the ESC button return to the previous menu without saving. The LCD screen in a dual color display and rotates 90°, 180°, and 270° for enhanced reading capability.
- **Reset button**: Use this button to reset the PDU for communication purposes only. Resetting the PDU does not affect the outlets/loads.
- **Serial or EMP port**: Use this port to open a serial connection to the PDU from your laptop. This port is also used to connect the Environmental Monitoring Probe (EMP) to the PDU. Note: the EMP is now withdrawn from marketing.
- **USB port**: Use the USB connection to upgrade firmware and configuration file download/upload.
- **Ethernet 10/100 Base-T port**. Use this connector to configure the PDU through a LAN. The Ethernet connector supports a 10/100 auto sensing network connection.

- **Daisy chain port:** Use this port to daisy chain two PDUs together. This enables multiple PDUs to connect over one Ethernet port. Up to eight PDUs can be daisy chained using an external 'Y' RJ45 adapter. The following figure shows how the RJ-45 Y-splitter adapters (one included with each PDU) can be used. In the figure, the use of two Y-splitters and three Ethernet cables means that four PDUs can be daisy chained together and all managed from the one network connection.

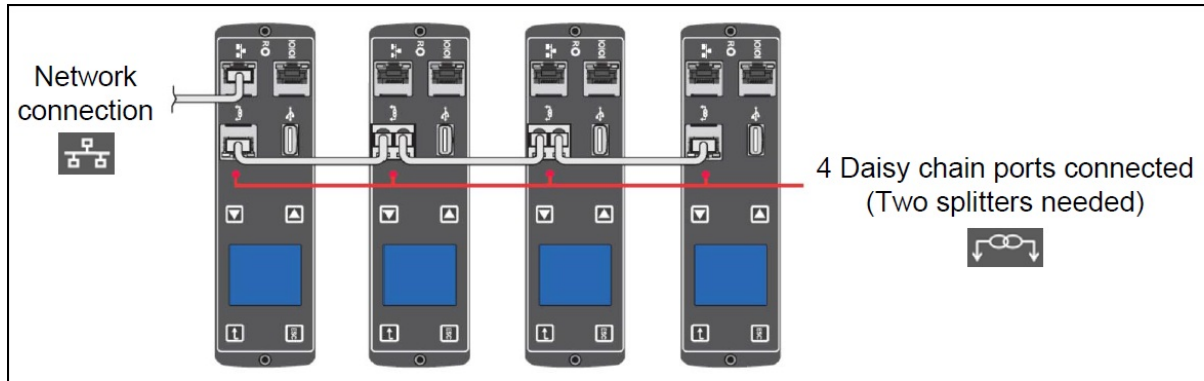


Figure 6. Daisy chaining example

## Browser interface

The PDU provides a graphical user interface that you can view from a web browser. Using a web browser, you can access and monitor the PDU power outlets and output devices remotely from a computer.

The following tasks can be performed through browser interface:

- Control individual outlets (On/Off)
- Display PDU current, watts, output power in VA, power factor, and frequency
- Display outlet level voltage, power factor and cumulative KW hour output
- Set outlet alarm thresholds
- View temperature and humidity status where the PDU is located and set thresholds to trigger alarm notifications
- View EMP temperature and humidity status where the EMP is located (Note: The EMP is now withdrawn from marketing)
- Access a graphical historical view of PDU data for statistical trend analysis
- View PDU Alarms
- View Event/System Logs

## Selecting the right PDU

To avoid over sizing or under sizing power, it is important to understand the power requirements of the hardware that will be powered by the PDU(s). The tool can be leveraged online from <https://datacentersupport.lenovo.com/us/en/solutions/invo-lcp>

Likewise, to avoid over sizing or under sizing PDUs it is also important to understand the PDU capabilities and capacities.

Consider the following for capabilities:

- Do you require monitoring and/or outlet switching? If so, then consider the switched and monitored PDUs described here. If not, consider the Basic PDUs described at <http://lenovopress.com/lp0576>.
- Do you require environmental monitoring capabilities? If so, then consider the switched and monitored PDUs described here. If not, consider the Basic PDUs described at <http://lenovopress.com/lp0576>.
- Does the PDU have the right type of power for your scenario? For example, 16A, 30A, 32A, 63A and single or three phase power?
- Does the PDU have enough of the correct type of outlets for your scenario?

Consider the following for capacities:

- Will each outlet be able to support the load being connected to it? For example, C13 outlets have a 10A limit.
- Will each load group be able to support the hardware being connected to it?
- Will each phase, where applicable, be able to support the hardware being connected to it?
- Is the overall power capacity of the PDU able to support the hardware being connected to it?
- Do you have enough PDUs to be N+N or N+1 redundancy if this is required?

The Lenovo Capacity Planner (LCP) is a useful tool to determine the power draw of other devices such as storage and switching that will be attached to the PDUs, refer to the products user manual for the maximum power draw.

## Supported rack cabinets

The 0U Switched and Monitored PDUs can be installed in all 19 inch rack cabinets.

- For specifications about racks supporting 0U PDUs, see the Lenovo Rack Cabinet Reference, available from: <https://lenovopress.lenovo.com/lp1287-lenovo-rack-cabinet-reference#0u-pdu-support=0U%2520PDU>

Each PDU has a universal mounting bracket that enables the PDU to be mounted in a variety of different racks that are outside of the Lenovo portfolio.

The PDU is designed to be mounted without the use of tools. Mounting buttons are pre-installed on the rear of the PDU at the factory. The mounting buttons allow for three mounting methods for installing the 0U Switched and Monitored PDUs vertically in a rack.

- Using factory-installed buttons on the PDU to mount the PDU in keyhole openings in the rack frame
- Using buttons on clip feet to mount the PDU in keyhole openings in the rack frame
- Using clip feet and cage nuts secured to the rack to mount the PDU onto the clip

For additional information on racking the 0U Switched and Monitored PDUs, refer to User's Guide for the PDUs.

## Warranty

The 0U Switched and Monitored PDUs are offered with a three-year limited warranty. At Lenovo discretion this warranty will be either CRU service (customer replaceable unit) or a Lenovo employee, subcontractor or reseller will be assigned to repair the failing item. Proof and date of purchase is required for warranty claims.

## Agency approvals

The PDUs conform to the following standards:

- Circuit breaker UL489 approval
- Circuit breaker IEC/EN60934 approval
- Outlet standard: IEC C13-C19: UL498 and IEC 60320
- 00YJ781 - cUL-US, CB, FCC, VCCI

## Related publications and links

For more information, see the following documents:

- User Manual  
[http://systemx.lenovofiles.com/help/topic/com.lenovo.sysx.racks.doc/0U\\_Strip\\_PDU.html?cp=0\\_6\\_1\\_1\\_0](http://systemx.lenovofiles.com/help/topic/com.lenovo.sysx.racks.doc/0U_Strip_PDU.html?cp=0_6_1_1_0)
- Lenovo Capacity Planner (LCP):  
<https://datacentersupport.lenovo.com/us/en/solutions/Invo-lcp>
- Lenovo Rack Cabinet Reference  
<https://lenovopress.com/lp1287-lenovo-rack-cabinet-reference>

## Related product families

Product families related to this document are the following:

- [Power Distribution Units](#)



## Notices

Lenovo may not offer the products, services, or features discussed in this document in all countries. Consult your local Lenovo representative for information on the products and services currently available in your area. Any reference to a Lenovo product, program, or service is not intended to state or imply that only that Lenovo product, program, or service may be used. Any functionally equivalent product, program, or service that does not infringe any Lenovo intellectual property right may be used instead. However, it is the user's responsibility to evaluate and verify the operation of any other product, program, or service. Lenovo may have patents or pending patent applications covering subject matter described in this document. The furnishing of this document does not give you any license to these patents. You can send license inquiries, in writing, to:

Lenovo (United States), Inc.  
8001 Development Drive  
Morrisville, NC 27560  
U.S.A.  
Attention: Lenovo Director of Licensing

LENOVO PROVIDES THIS PUBLICATION "AS IS" WITHOUT WARRANTY OF ANY KIND, EITHER EXPRESS OR IMPLIED, INCLUDING, BUT NOT LIMITED TO, THE IMPLIED WARRANTIES OF NON-INFRINGEMENT, MERCHANTABILITY OR FITNESS FOR A PARTICULAR PURPOSE. Some jurisdictions do not allow disclaimer of express or implied warranties in certain transactions, therefore, this statement may not apply to you.

This information could include technical inaccuracies or typographical errors. Changes are periodically made to the information herein; these changes will be incorporated in new editions of the publication. Lenovo may make improvements and/or changes in the product(s) and/or the program(s) described in this publication at any time without notice.

The products described in this document are not intended for use in implantation or other life support applications where malfunction may result in injury or death to persons. The information contained in this document does not affect or change Lenovo product specifications or warranties. Nothing in this document shall operate as an express or implied license or indemnity under the intellectual property rights of Lenovo or third parties. All information contained in this document was obtained in specific environments and is presented as an illustration. The result obtained in other operating environments may vary. Lenovo may use or distribute any of the information you supply in any way it believes appropriate without incurring any obligation to you.

Any references in this publication to non-Lenovo Web sites are provided for convenience only and do not in any manner serve as an endorsement of those Web sites. The materials at those Web sites are not part of the materials for this Lenovo product, and use of those Web sites is at your own risk. Any performance data contained herein was determined in a controlled environment. Therefore, the result obtained in other operating environments may vary significantly. Some measurements may have been made on development-level systems and there is no guarantee that these measurements will be the same on generally available systems. Furthermore, some measurements may have been estimated through extrapolation. Actual results may vary. Users of this document should verify the applicable data for their specific environment.

© Copyright Lenovo 2024. All rights reserved.

This document, LP0575, was created or updated on July 16, 2024.

Send us your comments in one of the following ways:

- Use the online Contact us review form found at:  
<https://lenovopress.lenovo.com/LP0575>
- Send your comments in an e-mail to:  
[comments@lenovopress.com](mailto:comments@lenovopress.com)

This document is available online at <https://lenovopress.lenovo.com/LP0575>.

## Trademarks

Lenovo and the Lenovo logo are trademarks or registered trademarks of Lenovo in the United States, other countries, or both. A current list of Lenovo trademarks is available on the Web at <https://www.lenovo.com/us/en/legal/copytrade/>.

The following terms are trademarks of Lenovo in the United States, other countries, or both:  
Lenovo®

Other company, product, or service names may be trademarks or service marks of others.