

## Lenovo ThinkSystem DM5200H Unified Storage Array Product Guide

Lenovo ThinkSystem DM5200H Unified Storage Array is a hybrid flash unified storage system, designed to provide performance, simplicity, capacity, security, and high availability for medium-sized enterprises. Powered by the ONTAP storage management software, the DM5200H delivers enterprise-class storage management capabilities with a wide choice of host connectivity options and enhanced data storage solutions. The DM5200H is a perfect fit for a wide range of enterprise workloads, including artificial intelligence, archive / backup, big data and analytics, Compliance Data, Databases, Data Consolidation, File Shares, engineering and design, enterprise applications, and other storage I/O-intensive applications.

ThinkSystem DM5200H models are 2U rack-mount enclosure that includes two controllers, with 128 GB of RAM and 2x 2TB Flash Cache drives. Each controller provides adapter support for 25/10 GbE, 100/40 GbE, 12G SAS, or 64/32/16 Gb Fibre Channel (FC) ports for host connectivity, depending on configuration.

A single ThinkSystem DM5200H Storage Array scales up to 480 NLSAS drives with the attachment of 8x DM600S 4U60 LFF expansion enclosures. Also depending on the expansions attached DM5200H supports up to 120 SSD drives. The DM5200H supports up to 144 TiB of Flash Cache.

**Note:** Currently DM5200H will support only 2 Flash Cache drives in the controller enclosure.



Figure 1. Lenovo ThinkSystem DM5200H Unified Storage Array

### Did you know?

Lenovo ThinkSystem DM5200H Unified Storage Array offers end-to-end hybrid flash storage connectivity.

- 2U/24 NVMe Controller
- Simplify at scale by tiering, backup, and creating an air-gapped cyber vault on the same ONTAP as the rest of your hybrid cloud environment. Scales from 12 to 480 drives
- NVMe and NLSAS support only
- Further reduce reboots during ONTAP® upgrades
  - Single reboot for new systems with ONTAP 9.16.1
  - Significant reduction in time required for ONTAP upgrade

## Key features

The ThinkSystem DM5200H offers the following key features and benefits

- Available as a Unified storage platform - allowing NAS, SAN, and Object workloads.
- All systems are available with either the Essentials or Complete software feature offerings which provide feature flexibility.
- Compact NVMe Flash storage system delivering high-performance and low-latency at an affordable price point, enabling customers of all sizes to enhance their analytics and AI deployments and accelerate applications' access to data.
- All-flash array capabilities to meet the demand for higher speed storage and provide higher IOPs and bandwidth with lower power usage and total cost of ownership than hybrid or HDD-based solutions.
- All-flash storage with dual active/active controller configurations for high availability and performance.
- A rich set of storage management functions available, including snapshots, volume cloning, quality of service, thin provisioning, compression, deduplication, encryption, disk-based backup, application- and virtual machine-aware backup, quick data recovery, clustering, synchronous replication, and asynchronous replication.
- Improved performance and data protection with RAID-DP and RAID-TEC, as well as support for traditional RAID 4.
- Flexible host connectivity to match diverse client needs with support for unified NAS, SAN, and object storage protocols, including 25/10 GbE NAS and iSCSI, 64/32/16 Gb Fibre Channel connectivity, and 64 Gb NVMe over Fibre Channel (NVMe/FC).
- SAS drive-side connectivity with multipathing with 2.5-inch small form factor (SFF) drives in the expansion enclosure. Supported expansions are: 20x DM120S (7D7X), 5x DM240S (7D7Y), 8x DM600S (7D7Z).
- Intuitive, web-based GUI for easy system setup and management.
- Lenovo XClarity support for centralized systems management of Lenovo x86 servers, switches, and storage, which provides automated agent-less discovery, inventory, monitoring, and additional platform-specific functions across multiple systems.
- Designed for 99.9999% availability with redundant hot-swap components, including controllers and I/O modules, power supplies, and non-disruptive firmware upgrades.

The DM5200H supports only 2 Flash Cache drives in the controller enclosure. All expansion enclosure drives are dual-port and hot-swappable. Base units support attachment of either DM120S, DM240S or DM600S expansion enclosures and drives are designed to be added dynamically, which helps to quickly and seamlessly respond to ever-growing capacity demands.

The base units offer high levels of system and data availability with the following features:

- Dual-active controllers (high availability pair) with automatic load balancing and failover
- Mirrored, battery-backed controller NVMEM (16 GB per controller)
- Dual-port SSDs with automatic drive failure detection and rebuild
- Redundant, hot-swappable and customer replaceable hardware components, including transceivers, controllers, I/O modules, power supplies, and drives
- Automated failover for the data path between the host and the drives with multipathing
- Non-disruptive controller and drive firmware upgrades
- Scale-out clustering
- Persistent write log; NVlog written to flash if unplanned power loss occurs
- MCC IP

## Components and connectors

The following figure shows the front of the DM5200H.

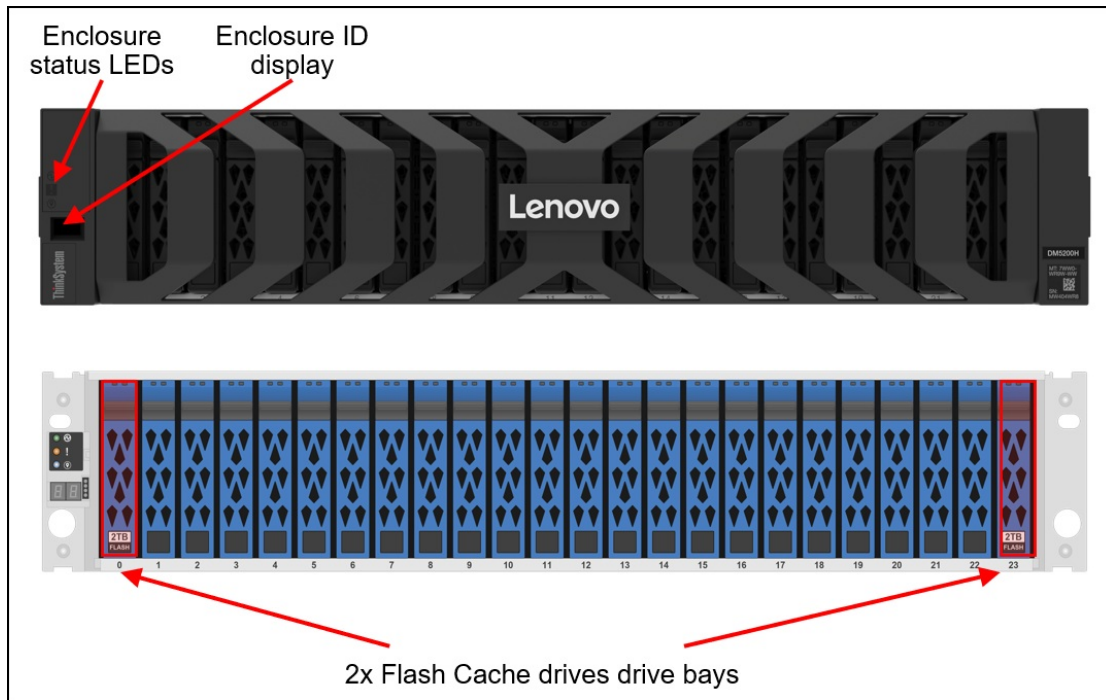


Figure 2. ThinkSystem DM5200H front view

The following figure shows the components of both controllers for DM5200H

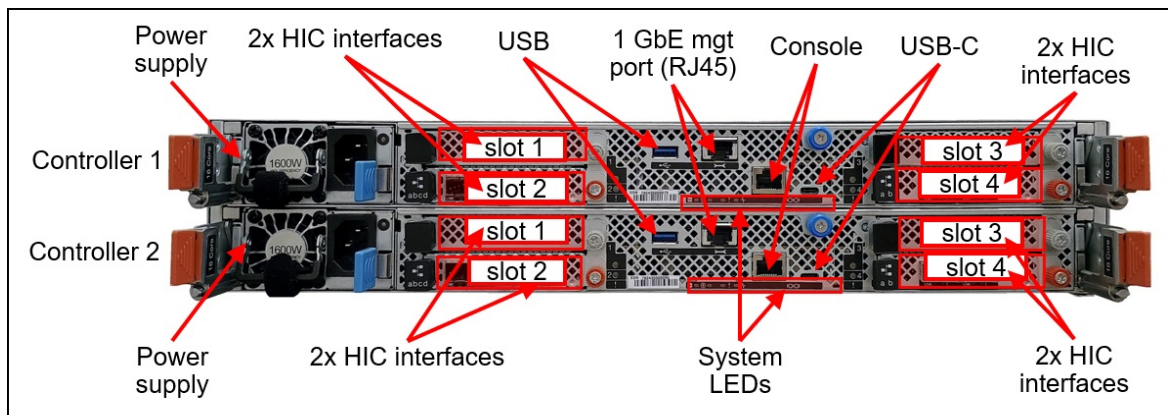


Figure 3. ThinkSystem DM5200H enclosure rear view

A single DM5200H controller includes the following components:

- 1 x redundant hot-swap power supply
- 4x Host Interface Card (HIC) slots:
  - Slot 1 for host connections and storage expansion
  - Slot 2 for host connections
  - Slot 3 host connections or storage expansion
  - Slot 4 for Cluster interconnect 100 GbE on the DM5200H
- USB port
- 1GbE management port (RJ45)
- System LEDs
- Console port

Per controller, the four Host Interface Cards provide one of the following combinations of ports:

- 4-port 10GBase-T RJ45 (10Gbs, 1Gbs, and 100Mbs)
- 2-port 25/10 GbE
- 4-port 25/10 GbE
- 2-port 100/40 GbE (and for expansion storage 2pt 100 GbE ports)
- 4-port, 64Gb Fiber Channel, SFP+ (64Gbs, 32Gbs, and 16 Gbs)
- 4-port, 32Gb Fiber Channel, SFP+ (32Gbs, 16Gbs, and 8 Gbs)

All HICs require SFPs and optical cable or DAC cables.

The following figure shows the front of the ThinkSystem DM120S 2U LFF expansion enclosure (NLSAS HDDs).

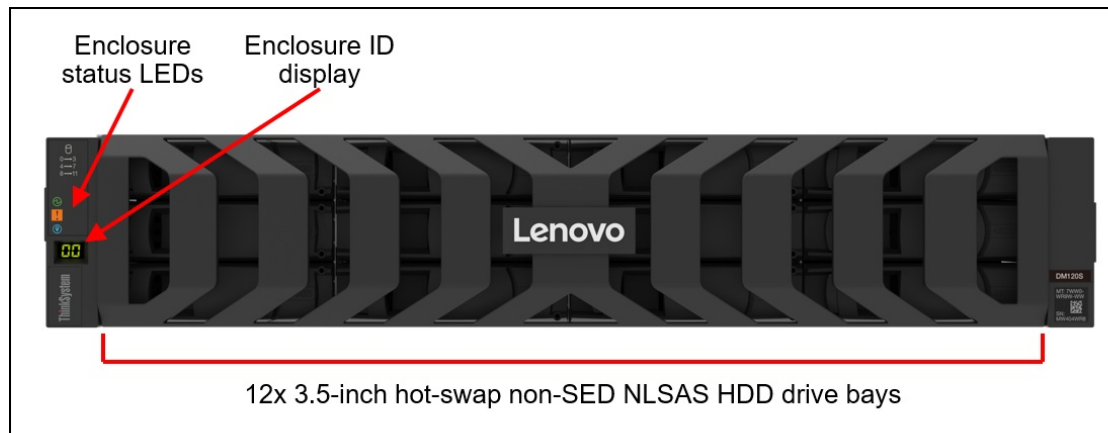


Figure 4. ThinkSystem DM120S 2U LFF expansion enclosure front view

The following figure shows the front of the ThinkSystem DM240S 2U SFF expansion enclosure (NVMe SSDs).

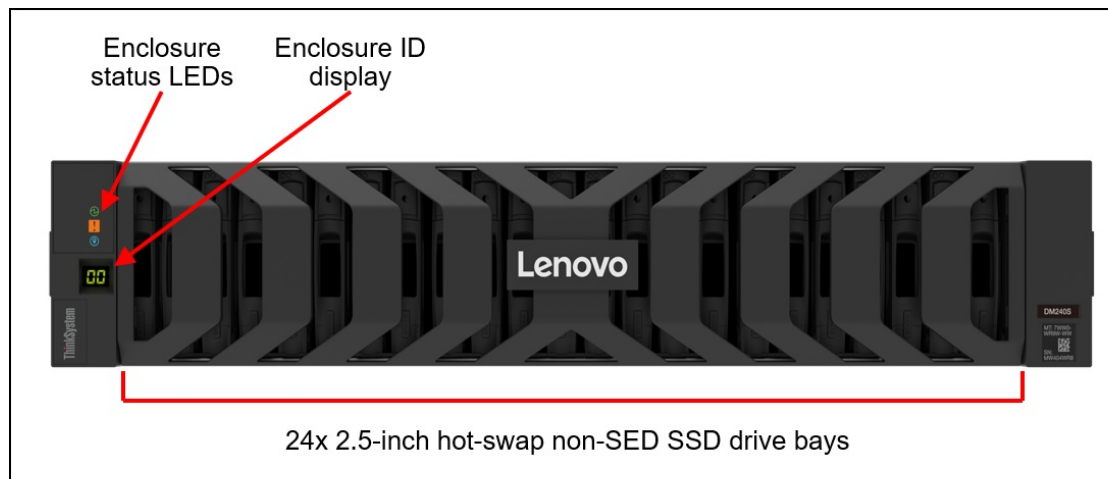


Figure 5. ThinkSystem DM240S 2U SFF expansion enclosure front view

The following figure shows the rear of the DM120S or DM240S expansion enclosure.

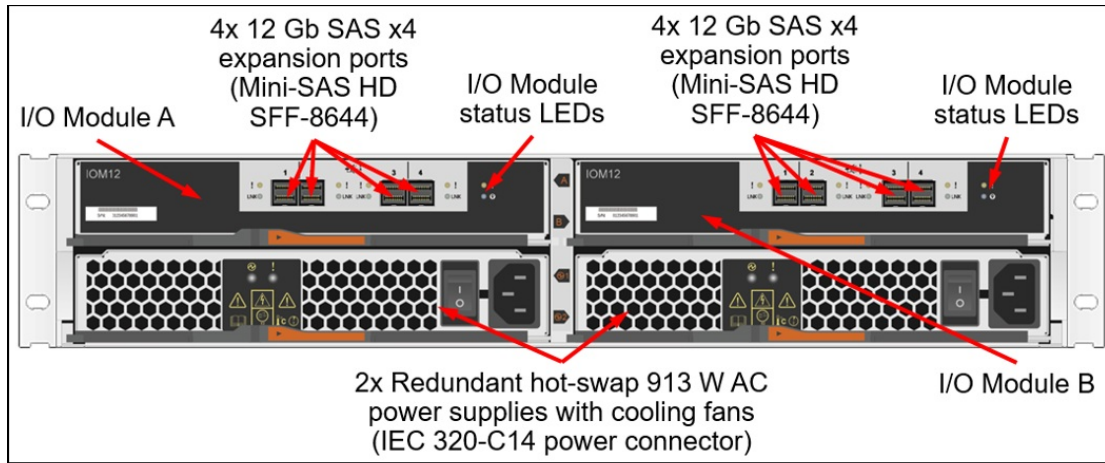


Figure 6. ThinkSystem DM120S 2U LFF or DM240S expansion enclosure rear view

The rear of the ThinkSystem DM120S 2U LFF or DM240S 2U SFF expansion enclosure includes the following components:

- Two redundant hot-swap I/O Modules; each I/O Module provides four 12 Gb SAS x4 expansion ports (Mini-SAS HD SFF-8644) for connections to the controller enclosures and for connecting the expansion enclosures between each other.
- Two redundant hot-swap 913 W (100 - 240 V) AC power supplies (IEC 320-C14 power connector) with integrated cooling fans.
- I/O Module status LEDs.

The following figure shows the front of the ThinkSystem DM600S 4U60 LFF NLSAS HDD expansion enclosure.

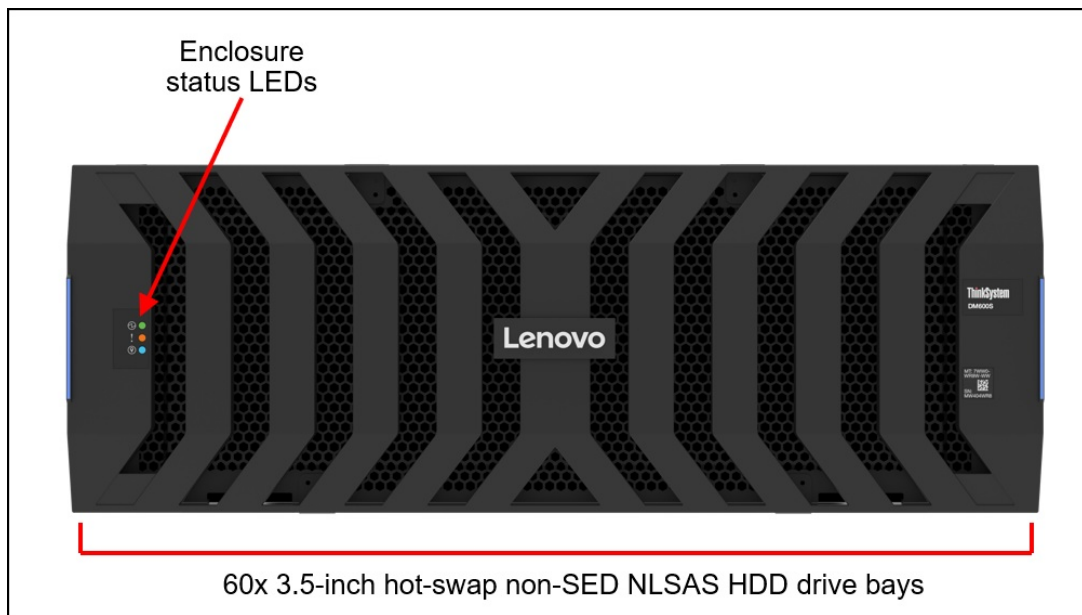


Figure 7. ThinkSystem DM600S 4U60 LFF expansion enclosure front view

## System specifications

The following table lists the Lenovo ThinkSystem DM5200H Unified Storage Array system specifications.

**Note:** The supported hardware options, software features, and interoperability listed in this product guide are based on the ONTAP software version 9.16.1. For details about specific software releases that introduced support for certain hardware options and software features, refer to the Release notes of the particular software release for the ThinkSystem DM5200H that can be found at:

<http://datacentersupport.lenovo.com>

Table 1. ThinkSystem DM5200H system specifications

Attribute	Specification			
Model	DM5200H	DM120S	DM240S	DM600S
Machine type	7DJ1	7D7X	7D7Y	7D7Z
Form factor	2U	2U	2U	4U
SAN/NAS Cluster limit	4 HA pairs	-	-	-
System memory (per HA pair)	128 GB	-	-	-
System NVMEM (per HA pair)	32 GB	-	-	-
Cluster Scaling Limit NAS (HA pair)	4	-	-	-
Cluster Scaling Limit SAN (HA pair)	4	-	-	-
Drive bays (per HA pair)	24	-	-	-
Drive Minimum (per HA pair)	12	-	-	-
Capacity Minimum (per HA pair)	100 TB NLSAS 50 TB SSD	-	-	-
Cluster Connected Shelves (per HA pair)	4x 100Gbe	-	-	-
Host/Storage HIC options (per HA Pairs)†	Select up to (6) Host/Storage HICs. Ordered in pairs <ul style="list-style-type: none"> <li>● 2-port, 40/100Gb Ethernet, QSFP28 (RoCEv2)</li> <li>● 4-port, 64Gb Fiber Channel, SFP+</li> <li>● 4-port, 32Gb Fiber Channel, SFP+</li> <li>● 2-port, 10/25Gb Ethernet, SFP28</li> <li>● 4-port, 10/25Gb Ethernet, SFP28 (IPSec support)</li> <li>● 4-port, 10GBASE-T, RJ45               <ul style="list-style-type: none"> <li>○ All HICs require SFPs plus optical cable or DAC cables</li> <li>○ All ethernet SFPs run at posted speed only. No dual line rates.</li> </ul> </li> </ul>			
RAID levels	RAID-4, RAID-DP, RAID-TEC			
Supported Drive capacities	3.84 TB, 7.68 TB, and 15.36 TB SAS SSDs or 4 TB, 10 TB, 24 TB NLSAS HDDs			



Attribute	Specification			
Storage Protocols	FC, iSCSI, NVMe/FC, NVMe/TCP, NFS, NFSv4/RDMA, SMB, S3			
Category 1 Host operating systems*	Microsoft Windows Server, Red Hat Enterprise Linux, SUSE Linux Enterprise Server, VMware ESXi			
Category 2 Host operating systems**	Oracle Linux, Oracle VM, Citrix Hypervisor, CentOS, Ubuntu, Solaris. For version details, see the latest Category 2 Interoperability Matrix, available as a download from <a href="#">Lenovo Storage Interoperation Center</a> (LSIC)			
Standard software features	RAID data protection, snapshots, volume copy (FlexClone), storage quality of service (QoS), thin provisioning, compression, deduplication, encryption, disk-based backup (SnapVault), application-aware backup (SnapCenter), quick data recovery (SnapRestore), clustering, clustering with data mirroring (MetroCluster IP), and synchronous and asynchronous replication (SnapMirror)			
Optional software features	Object storage tiering (FabricPool). Tiering to other DM/DG systems require no additional licensing			
Cooling	Redundant cooling with built-in power supply fans			
Power Supply	Two redundant hot-swap 1600 W Titanium AC power supplies			
	200 to 240	100 to 120 200 to 240 Autosensing	100 to 120 200 to 240 Autosensing	200 to 240
Hot-swap parts	Controllers, I/O modules, drives, power supplies, and transceivers and DAC cables			
Management ports	1x 1 GbE port (UTP, RJ-45) per controller for out-of-band management			
	2x Serial console ports (RJ-45 and Micro-USB) for system configuration			
Management interfaces	ThinkSystem Storage Manager web-based GUI; SSH CLI; Serial console CLI; SNMP, email, and syslog alerts; optional Lenovo XClarity.			
Security features	Secure Socket Layer (SSL), Secure Shell (SSH), user level security, role-based access control (RBAC), LDAP authentication.			
Warranty and support	Three-, four-, or five-year customer-replaceable unit and onsite limited warranty with selectable service levels: 9x5 service coverage next business day (NBD) onsite response (Foundation) or 24x7 service coverage with 4-hour onsite response (Essential). Premier Support is also available. Software support is included in the Foundation or Essential Service for the duration of the warranty period.			
Dimensions	<ul style="list-style-type: none"> <li>● Height: 87 mm (3.4 in.)</li> <li>● Width with flange: 483 mm (19 in.)</li> <li>● Width without flange: 447 mm (17.6 in.)</li> <li>● Depth: 543 mm (21.4 in.)</li> </ul>			
Weight (fully configured)	24.6 kg (54.3 lb)		30.2 kg (66.6 lb)	

\* For Category 1 operating system support information, see [Lenovo Storage Interoperation Center](#) (LSIC).

\*\* For Category 2 operating system support information, see the latest Category 2 Interoperability Matrix. Go to the [Lenovo Storage Interoperation Center](#) (LSIC) home page and scroll down to the Lenovo Information section and click the **Download Lenovo 3rd party of interop matrix** link.

† For a detailed list of configuration limits and restrictions for a specific version of the software, refer to the Lenovo Data Center Support website:

<http://datacentersupport.lenovo.com>



## Controller enclosures

The following table lists the CTO base models (Factory-integrated models) for the the Lenovo ThinkSystem DM5200H Unified Storage Array which are configured by using the Lenovo Data Center Solution Configurator (DCSC), <http://dcsc.lenovo.com>

Table 2. ThinkSystem DM5200H CTO base models

Machine Type/Model	Feature code	Description
7DJ1CTO1WW	BF3C	Lenovo ThinkSystem DM5200H

The models of the ThinkSystem DM5200H ship with the following items:

- One chassis with the following components:
  - Two controllers
  - Two power supplies
- Rack Mount Kit
- 2m USB Cable (USB Type A to Micro-USB)
- Documentation flyer
- Two customer-configured power cables

## Controllers

The ThinkSystem DM5200H enclosure ship with two NVMe controllers. A controller provides interfaces for host connectivity, management, and internal drives, and it runs ONTAP storage management software. The DM5200H enclosure provides 128 GB RAM and 8 GB NVMEM per controller

Each DM5200H controller has two interconnect ports to cable a directly-connected dual-controller HA pair or for switched cluster interconnect with multiple dual-controller HA pairs. Up to six HA pairs can be combined into a single SAN cluster or up to 12 HA pairs can be combined into a single NAS cluster.

- DM5200H 2x 100 GbE ports

Each controller also has the following host interfaces:

- 4x slots for host interfaces using HIC adapters; choices of HIC adapters are:
  - 25GbE HIC, with 4x 10/25 GbE SFP28 (DAC cables or SW fiber optic cables, LC)
  - 100GbE HIC, with 2x 100 GbE QSFP28 (DAC cables or SW fiber optic cables, MPO)
  - Fibre Channel HIC, with 4x 16/32/64 Gb FC SFP+ host ports, 32/64 Gb transceivers included (SW fiber optic cables, LC)

Two controllers are required for selection and must have the same HIC adapters installed.

The following table lists the controllers for the DM5200H Storage Array and supported connectivity options.

Table 3. DM5200H controller and connectivity options

Part number	Feature code	Description	Maximum quantity per controller
Host Interface Cards - DM5200H			
4XC7A97035	C4AC	Lenovo ThinkSystem Storage 25Gb 4 port Ethernet, RoCE Adapter (Host/Cluster)	3
4XC7A97034	C4AB	Lenovo ThinkSystem Storage 25Gb 2 port Ethernet, RoCE Adapter (Host)	3
4XC7A97031	C4A8	Lenovo ThinkSystem Storage 64/32Gb 4 Port Fiber Channel Adapter	3

Part number	Feature code	Description	Maximum quantity per controller
4XC7A97032	C4A9	Lenovo ThinkSystem Storage 10Gb BaseT 4 Port Adapter (Host)	3
4XC7A97033	C4AA	Lenovo ThinkSystem Storage 100Gb 2 port Ethernet, RoCE Adapter (Host/Cluster)	4
4XC7A97036	C4AD	Lenovo ThinkSystem Storage 100Gb iWARP 2 Port Ethernet Adapter (MCC-IP)	1
SFP+ and transceiver for 25Gb/100Gb optical cables			
4XF7A14919	B4K9	10G SW Optical iSCSI SFP+ Module 1 pack	12
4TC7A94751	C4K4*	Lenovo 25G SR SFP28 Amphenol Ethernet Transceiver	12
4M27A67042	BFH1	Lenovo 100Gb SR4 QSFP28 Ethernet Transceiver	8
Fiber SFP+ transceivers			
4TC7A97241	C4AF	Lenovo 64/32G Fiber Channel SFP+ SW Transceiver	12
4M17A13528	B4B3	Lenovo 32Gb FC SFP+ Transceiver	12

\*25 Gbps transceivers are not auto-negotiating down to 10 Gbps

The following table lists the supported optical and copper cables.

Table 4. Supported cables

Part number	Feature code	Description	Maximum quantity per controller
DAC breakout cable options for 100GbE			
7Z57A03564	AV22	Lenovo 1m 100G QSFP28 to 4x25G SFP28 Breakout DAC Cable	3
7Z57A03565	AV23	Lenovo 3m 100G QSFP28 to 4x25G SFP28 Breakout DAC Cable	3
7Z57A03566	AV24	Lenovo 5m 100G QSFP28 to 4x25G SFP28 Breakout DAC Cable	3
100G QSFP28 DAC cables			
7Z57A03561	AV1Z	Lenovo 1m Passive 100G QSFP28 DAC Cable	4
7Z57A03562	AV20	Lenovo 3m Passive 100G QSFP28 DAC Cable	4
7Z57A03563	AV21	Lenovo 5m Passive 100G QSFP28 DAC Cable	4
DAC cable options for 25 GbE SFP28 connectivity			
7Z57A03557	AV1W	Lenovo 1m Passive 25G SFP28 DAC Cable	12
7Z57A03558	AV1X	Lenovo 3m Passive 25G SFP28 DAC Cable	12
7Z57A03559	AV1Y	Lenovo 5m Passive 25G SFP28 DAC Cable	12
4X97A94008	AV1F	Lenovo 3m 25G SFP28 Active Optical Cable	12
4X97A94011	AV1G	Lenovo 5m 25G SFP28 Active Optical Cable	12
4X97A94012	AV1H	Lenovo 10m 25G SFP28 Active Optical Cable	12
4X97A94013	AV1J	Lenovo 15m 25G SFP28 Active Optical Cable	12
4X97A94702	AV1K	Lenovo 20m 25G SFP28 Active Optical Cable	12
DAC cable options for 25GbE SFP28 and 10 GbE SFP+ connectivity (base ports and interconnect ports)			
00D6288	A3RG	0.5m Passive DAC SFP+ Cable	12
90Y9427	A1PH	1m Passive DAC SFP+ Cable	12
00AY764	A51N	1.5m Passive DAC SFP+ Cable	12

Part number	Feature code	Description	Maximum quantity per controller
00AY765	A51P	2m Passive DAC SFP+ Cable	12
90Y9430	A1PJ	3m Passive DAC SFP+ Cable	12
90Y9433	A1PK	5m Passive DAC SFP+ Cable	12
00D6151	A3RH	7m Passive DAC SFP+ Cable	12
OM3 cable options for 16/32 Gb FC and 25 GbE SW SFP28 optical transceivers			
00MN499	ASR5	Lenovo 0.5m LC-LC OM3 MMF Cable	12
00MN502	ASR6	Lenovo 1m LC-LC OM3 MMF Cable	12
00MN505	ASR7	Lenovo 3m LC-LC OM3 MMF Cable	12
00MN508	ASR8	Lenovo 5m LC-LC OM3 MMF Cable	12
00MN511	ASR9	Lenovo 10m LC-LC OM3 MMF Cable	12
00MN514	ASRA	Lenovo 15m LC-LC OM3 MMF Cable	12
00MN517	ASRB	Lenovo 25m LC-LC OM3 MMF Cable	12
00MN520	ASRC	Lenovo 30m LC-LC OM3 MMF Cable	12
OM4 cable options for 16/32 Gb FC and 25 GbE SFP28 optical transceivers			
4Z57A10845	B2P9	Lenovo 0.5m LC-LC OM4 MMF Cable	12
4Z57A10846	B2PA	Lenovo 1m LC-LC OM4 MMF Cable	12
4Z57A10847	B2PB	Lenovo 3m LC-LC OM4 MMF Cable	12
4Z57A10848	B2PC	Lenovo 5m LC-LC OM4 MMF Cable	12
4Z57A10849	B2PD	Lenovo 10m LC-LC OM4 MMF Cable	12
4Z57A10850	B2PE	Lenovo 15m LC-LC OM4 MMF Cable	12
4Z57A10851	B2PF	Lenovo 25m LC-LC OM4 MMF Cable	12
4Z57A10852	B2PG	Lenovo 30m LC-LC OM4 MMF Cable	12
OM4 cables for 100 GbE QSFP28 transceivers			
7Z57A03567	AV25	Lenovo 5m MPO-MPO OM4 MMF Cable	8
7Z57A03568	AV26	Lenovo 7m MPO-MPO OM4 MMF Cable	8
7Z57A03569	AV27	Lenovo 10m MPO-MPO OM4 MMF Cable	8
7Z57A03570	AV28	Lenovo 15m MPO-MPO OM4 MMF Cable	8
7Z57A03571	AV29	Lenovo 20m MPO-MPO OM4 MMF Cable	8
7Z57A03572	AV2A	Lenovo 30m MPO-MPO OM4 MMF Cable	8
25Gb SR SFP28 ethernet transceivers			
4TC7A94751	C4K4	Lenovo 25G SR SFP28 Amphenol Ethernet Transceiver	12
UTP Category 6 cables for 1/10 GbE RJ-45 adapter cards and 1 GbE RJ-45 management ports			
00WE123	AVFW	0.75m Green Cat6 Cable	13
00WE127	AVFX	1.0m Green Cat6 Cable	13
00WE131	AVFY	1.25m Green Cat6 Cable	13
00WE135	AVFZ	1.5m Green Cat6 Cable	13
00WE139	AVG0	3m Green Cat6 Cable	13
90Y3718	A1MT	10m Green Cat6 Cable	13
90Y3727	A1MW	25m Green Cat6 Cable	13

## Expansion enclosures

The ThinkSystem DM5200H supports attachment of DM120S, DM240S and DM600S expansion enclosures. The expansion enclosure can be added to the system non-disruptively.

The following table lists the CTO base models for the ThinkSystem DM Series expansion enclosures.

Table 5. CTO base models for the ThinkSystem DM Series expansion enclosures

Description	Machine Type/Model	Feature code
Lenovo ThinkSystem 3yrs DM120S Expansion Base	7D7XCTO1WW	BEY6
Lenovo ThinkSystem 3yrs DM240S Expansion Base	7D7YCTO1WW	BEY7
Lenovo ThinkSystem 3yrs DM600S Expansion Base	7D7ZCTO1WW	BQ9W

The models of the ThinkSystem DM120S, DM240S, and DM600S ship with the following items:

- One chassis with the following components:
  - Two I/O modules
  - Two power supplies
  - Two cooling modules (4U60 LFF only)
- Rack Mount Kit
- Electronic Publications Flyer
- Two customer-configured power cables

Additionally, expansion enclosures modular design provide:

- Expanded and enhanced serviceability
- Controllers are serviced from the rear
- Adapters can be serviced separately

## Drives

Drives are supported in the ThinkSystem DM5200H 2U24 enclosure and in the DM120S, DM240S and DM600S shelves (expansion enclosures).

Currently, two drives only: bay 0, bay23 (for FlashCache) are supported in the base ThinkSystem DM5200H 2U24 enclosure. See the [DM5200H front view](#) section for details

HA pair requires external storage such as: DM120S, DM240S and DM600S.

Supported drives are:

- NVMe and NLSAS support only
- Scale from 12 to 480 drives
- NVMe and NLSAS support only
- 10K SAS drives are not supported
- Drives are quotable at point of sale
- Drives are sold in packs for the following units:
  - The DM5200H 2U24 SFF controller enclosure supports only 2 flash drives
  - The DM120S 2U12 LFF expansion enclosure supports only 12 LFF drives
  - The DM240S 2U24 SFF expansion enclosure supports only 24 SFF drives
  - The DM600S 4U60 LFF expansion enclosure supports only 60 LFF drives

The following table lists supported drive packs for the controller and expansion enclosures.

Table 6. DE4200H and expansion enclosures drive options

Feature code	Description	Max Qty
DE4200H 2U24 SFF drives		
C48M	Lenovo ThinkSystem DM Series 2TB Flash Cache	2
DM120S 2U12 LFF drives		
C4WW	Lenovo ThinkSystem 8TB (2x 4TB, 3.5", Non-SED, NLSAS HDD) Drive Pack	6
C4X6	Lenovo ThinkSystem 20TB (2x 10TB, 3.5", Non-SED, NLSAS HDD) Drive Pack	6
C4X5	Lenovo ThinkSystem 48TB (2x 24TB, 3.5", Non-SED, NLSAS HDD) Drive Pack	6
DM240 2U24 SFF drives		
C4X1	Lenovo ThinkSystem 7.7TB (2x 3.84TB, 2.5", Non-SED, SSD) Drive Pack	12
C4X0	Lenovo ThinkSystem 15.4TB (2x 7.68TB, 2.5", Non-SED, SSD) Drive Pack	12
C4WZ	Lenovo ThinkSystem 30.7TB (2x 15.36TB, 2.5", Non-SED, SSD) Drive Pack	12
DM600S 4U60 LFF drives		
C4X4	Lenovo ThinkSystem 8TB (2x 4TB, 3.5", Non-SED, NLSAS HDD) Drive Pack - 4U60	30
C4X3	Lenovo ThinkSystem 20TB (2x 10TB, 3.5", Non-SED, NLSAS HDD) Drive Pack - 4U60	30
C4X2	Lenovo ThinkSystem 48TB (2x 24TB, 3.5", Non-SED, NLSAS HDD) Drive Pack - 4U60	30

### Configuration notes:

- When ordering the systems, select the drives that match the ONTAP offering and bundle you are installing on the DM controller. Drive feature codes are specific to Unified or SAN Only offerings, and to Base, Fundamentals and Premium bundles. See the [Software](#) section for details.
- For factory-installed drive packs, all drives in the enclosure must be of the same type and capacity

## Software

In this section:

- [Feature bundles](#)
- [ONTAP software versions](#)

ONTAP software unifies data management across flash, disk, and cloud to simplify the Lenovo DM storage environment. It builds the foundation for a Data Fabric, making it easy to move the data where it is needed across flash, disk, and cloud resources.

### Feature bundles

Controller software for the DM5100F is available in the following bundles of features:

- SAN Base (China only) (Feature BKKC)
- SAN Premium (Feature BKKE)
- Unified Essentials (China only) (Feature BWU9)
- Unified Complete (Feature BWU8)

The following table summarizes the features in each bundle for the DM5200H.

Table 7. Software selection

Feature	Unified Essentials (WW)	Unified Complete (WW)
Controller software feature code	BWU9	BWU8
RAID-4, RAID-DP, and RAID-TEC data protection	Included	Included
SAN (Block access): iSCSI, FC, NVMe/FC	Included	Included
NAS (File access): NFS, CIFS/SMB	Included	Included
All Flash Array (AFA) capability	Included	Included
Thin provisioning	Included	Included
Compression	Included	Included
Compaction	Included	Included
Deduplication	Included	Included
Snapshots	Included	Included
Encryption*	Included	Included*†
Balanced placement	Included	Included
Dynamic capacity expansion	Included	Included
Adaptive Quality of Service	Included	Included
SnapRestore	Included	Included
FlexClone	Included	Included
FlexVol	Included	Included
FlexCache	Included	Included
SnapMirror asynchronous replication	No	Included
SyncMirror data protection	Included	Included
Trusted Platform Module (TPM) support	Included	Included †
MetroCluster IP	Included	Included
NVMe over FC Protocol	Included	Included
NVMe over TCP Protocol	Included	Included
SnapMirror Business Continuity (SMBC)	No	Included
SnapMirror synchronous replication	No	Included
FlexGroup	Included	Included
SnapVault disk-based storage backup	No	Included
SnapCenter	No	Included
ONTAP S3	Included	Included
ONTAP S3 SnapMirror	No	Included
SnapLock data protection	No	Included
Multitenant Key Magement	No	Included
Anti-ransomware Protection	No	Included
SnapMirror Cloud	No	Included
FabricPool object storage tiering	Optional	Optional

\* Requires the encryption version of ONTAP. See the [ONTAP software](#) section

† Not available in PRC



The features are summarized as follows:

- **RAID-4, RAID-DP, and RAID-TEC data protection** : Provides the flexibility to choose the level of data protection required and helps improve performance and availability with built-in spare capacity and by distributing data across all physical drives in the aggregate, sustaining to up to one (RAID-4), two (RAID-DP), or three (RAID-TEC) concurrent drive failures.
- **All Flash Array (AFA) capability** : Meets the demand for higher speed, lower latency storage and provides higher IOPS and bandwidth with lower power usage and total cost of ownership than hybrid or HDD-based solutions.
- **Thin provisioning**: Optimizes efficiency by allocating storage space based on the minimum space required by each application at any given time, so that applications consume only the space they are actually using, not the total space that has been allocated to them, which allows customers to purchase storage they need today and add more as application requirements grow.
- **Compression**: Provides transparent inline and post-process data compression to reduce the amount of storage that customers need to purchase and manage.
- **Compaction**: enhances compression to further reduce the amount of storage that customers need to purchase and manage.
- **Deduplication**: Performs general-purpose deduplication for removal of redundant data to reduce the amount of storage that customers need to purchase and manage.
- **Snapshots**: Enables creation of read-only copies of data for backup, parallel processing, testing, and development, and have the copies available almost immediately.
- **Encryption**: Provides software-based encryption for data at rest for enhanced data security with the traditional drives and embedded key management (requires the encryption-capable version of the ONTAP software).
- **Balanced placement**: Provides automated workload distribution across the cluster to help increase utilization and performance.
- **Dynamic capacity expansion**: Allows the capacity of a volume or aggregate to be expanded by adding new physical drives.
- **Adaptive Quality of Service**: Simplifies operations and maintains consistent workload performance by defining QoS policies and automatically adjusting storage resources to respond to workload changes.
- **SnapRestore**: Enables quick recovery of data by reverting a local volume or file to its previous state from a particular snapshot copy stored on the file system.
- **FlexClone**: References snapshot metadata to create writable point-in-time copies of a volume.
- **FlexVol**: Provides abstraction layer between the logical volume and its physical location in the storage array.
- **FlexCache**: Speeds up access to data and offloads traffic from heavily accessed volumes for read-intensive workloads by placing frequently used data in cache locally or remotely (closer to the point of client access) and serving the data to the clients directly from cache without accessing the data source.
- **SnapMirror asynchronous replication**: Provides storage system-based data replication between the storage systems containing source (local) and destination (remote) volumes by using asynchronous (at specified regular intervals) data transfers over IP communication links.
- **SyncMirror data protection**: Adds extra level of data protection and availability by mirroring a pair of RAID aggregates.
- **Trusted Platform Module (TPM)**: For encryption enabled systems. The encryption keys for the onboard key manager (OKM) are no longer stored in the boot device, but instead are stored in the physical TPM for systems so equipped, offering greater security and protection. Moving to the TPM is a nondisruptive process.
- **MetroCluster IP**: Provides storage system-based clustering with online, real-time data mirroring between the local and remote sites by using synchronous data transfers over IP communication links to deliver continuous availability with zero RPO and near-zero RTO. All storage systems in a MetroCluster

IP configuration must be of the same model. New to ONTAP 9.11: MetroCluster with Storage Virtual Machine Disaster Recovery (SVM-DR) can now use a third site for the SVM-DR

- **NVMe over FC Protocol:** Enables NVMe over FC
- **NVMe over TCP Protocol:** Enables NVMe over TCP
- **Data Protection Optimized (DPO):** Increases the amount of concurrent SnapMirror sessions per node, as well as improving SnapMirror performance to the cluster.
- **SnapMirror Business Continuity (SMBC):** Non-disruptive failover active-active cross site clusters. Based on existing SnapMirror Synchronous Replication. Offers Zero data loss, zero downtime. You do not have to failover the application. If there is a failure the application will continue to run and there will be no need to restart.
- **SnapMirror synchronous replication:** Provides storage system-based data replication between the storage systems containing source (local) and destination (remote) volumes by using synchronous (as soon as the data is written to the source volume)
- **FlexGroup:** Enables a single volume to span across multiple clustered storage arrays to maximize storage capacity and automate load distribution. New to ONTAP 9.11: FlexGroups can now be created as SnapLock volumes.
- **SnapVault disk-based storage backup:** Enables data stored on multiple systems to be backed up to a central, secondary system quickly and efficiently as read-only snapshot copies.
- **SnapCenter:** Provides application- and virtual machine-aware backup and restoration of data by using the Snapshots technology and leverages the SnapMirror capabilities of storage systems to provide onsite or offsite backup set mirroring for disaster recovery.
- **ONTAP S3:** Expands the DM Series unified story and allows customers to manage, block, file, and object data from one interface. Customers can now natively store data in S3 buckets onboard the DM Series.
- **ONTAP S3 SnapMirror :** Enables you to protect buckets in ONTAP S3 object stores using familiar SnapMirror mirroring and backup functionality. Requires ONTAP 9.11 or later on both source and destination clusters. Requires the Unified Premium Bundle.
- **SnapMirror Cloud:** A backup and recovery technology designed for ONTAP users who want to transition their data protection workflows to the cloud. SnapMirror Cloud is an extension to the family of SnapMirror replication technologies. While SnapMirror is frequently used for ONTAP-to-ONTAP backups, SnapMirror Cloud uses the same replication engine to transfer Snapshot copies for ONTAP to S3-compliant object storage backups.
- **Multitenant Key Management (MTKM):** Provides the ability for individual tenants or storage virtual machines (SVMs) to maintain their own keys through KMIP for NVE. With multitenant external key management, you can centralize your organization's key management functions by department or tenant while inherently confirming that keys are not stored near the assets. This approach decreases the possibility of compromise.
- **Anti-ransomware:** Uses workload analysis in NAS (NFS and SMB) environments to proactively detect and warn about abnormal activity that might indicate a ransomware attack. When an attack is suspected, anti-ransomware also creates new Snapshot backups, in addition to existing protection from scheduled Snapshot copies. New to ONTAP 9.11: Optional multi-admin verification to approve administration functions that could result in data loss.
- **FabricPool:** FabricPool is a hybrid storage solution that uses an all flash (all SSD) aggregate as the performance tier and an object store as the external capacity tier. Data in a FabricPool is stored in a tier based on whether it is frequently accessed or not. Using a FabricPool helps you reduce storage cost without compromising performance, efficiency, or protection.
- No license is required when tiering to StorageGRID or ONTAP S3.
- **SnapLock data protection:** Creates Write-Once-Read-Many (WORM) non-rewritable, non-erasable data on hard disk drives to prevent files from being altered or deleted until a predetermined or default retention date.

## ONTAP software versions

The following table lists the software selection options for the DM5200H. The table also indicates which markets each version is available in.

Table 8. Software selection

Feature code	Description	Availability
C4AG	Lenovo ThinkSystem Storage ONTAP 9.16 Software Encryption - IPAv2	All markets
C4AH	Lenovo ThinkSystem Storage ONTAP 9.16 Software NonEncryption - IPAv2	All markets

Software maintenance is included in the DM5200H warranty and support (see [Warranty and support](#) for details).

## Management

The ThinkSystem DM5200H supports the following management interfaces:

- Lenovo ThinkSystem Storage Manager, a web-based interface via HTTPS for single-system management or centralized management of the cluster of systems, that runs on the storage system itself and requires only a supported browser (Microsoft Internet Explorer, Google Chrome, or Mozilla Firefox), so there is no need for a separate console or plug-in.
- Command line interface (CLI) via SSH or through serial console.
- Syslog, SNMP, and e-mail notifications.
- Optional Lenovo XClarity for discovery, inventory, monitoring, and alerts.

## Power supplies and cables

The ThinkSystem DM5200H base enclosures ship with two redundant hot-swap 1600 W (200-240 V) Platinum AC power supplies, each with an IEC 320-C14 connector.

The ThinkSystem DM120S 2U12 LFF and DM240S 2U24 SFF expansion enclosures ship with two redundant hot-swap 913 W (100 - 240 V) Platinum AC power supplies, each with an IEC 320-C14 connector.

The ThinkSystem DM600S 4U60 LFF expansion enclosures ship with two redundant hot-swap 2325 W (200 - 240 V) Platinum AC power supplies, each with an IEC 320-C20 connector.

Each ThinkSystem DM Series enclosure requires the selection of two power cables.

## Rack installation

The individually shipped ThinkSystem DM5200H and DM120S, DM240S, DM600S enclosures come with the ThinkSystem Storage Rack Mount Kit 2U24/4U60 listed in the following table.

Table 9. 4-post rack mount kit

Feature code	Description	Quantity
B6Y6	Lenovo ThinkSystem NVMe Rail Kit 4 post	1

When the **ThinkSystem DM5200H enclosure** is factory-integrated and shipped installed in a rack cabinet, the rack mount kits that support Ship-in-Rack (SIR) capabilities are derived by the configurator. The SIR-capable rack mount kits are listed in the following tables.

Table 10. 4-post SIR rack mount kits

Feature code	Description	Quantity
B6Y7	ThinkSystem NVMe Adjustable Rail Kit	1

The following table summarizes the rack mount kit features and specifications.

Table 11. Rack mount kit features and specifications summary

Attribute	Screw-in fixed rail with adjustable depth	
	2U24 NVMe	2U24 NVMe SIR
Feature code	B6Y6	B6Y7
Enclosure support	DM5200H	DM5200H
Rail type	Fixed (static) with adjustable depth	Fixed (static) with adjustable depth
Tool-less installation	No	No
In-rack maintenance	Yes*	Yes*
Ship-in-rack (SIR) support	No	Yes
1U PDU support	Yes	Yes
0U PDU support	Limited**	Limited**
Rack type	IBM or Lenovo 4-post, IEC standard-compliant	IBM or Lenovo 4-post, IEC standard-compliant
Mounting holes	Square or round	Square or round
Mounting flange thickness	2.0 - 3.3 mm (0.08 - 0.13 in.)	2.0 - 3.3 mm (0.08 - 0.13 in.)
Distance between front and rear mounting flanges <sup>^</sup>	605 - 813 mm (23.8 - 32 in.)	605 - 813 mm (23.8 - 32 in.)

\* The majority of the enclosure components can be serviced from the front or rear of the enclosure, which does not require the removal of the enclosure from the rack cabinet.

\*\* If a 0U PDU is used, the rack cabinet must be at least 1000 mm (39.37 in.) deep for 2U24 enclosures.

<sup>^</sup> Measured when mounted on the rack, from the front surface of the front mounting flange to the rear most point of the rail.

When the ThinkSystem **DM expansion enclosures** are factory-integrated and shipped installed in a rack cabinet, the rack mount kits that support Ship-in-Rack (SIR) capabilities are derived by the configurator.

Table 12. 4-post SIR rack mount kits

Description	Feature code	Quantity
Lenovo ThinkSystem Storage Rack Mount Kit 2U12	B38X	1
Lenovo ThinkSystem Storage Rack Mount Kit 2U24/4U60	B38Y	1
Lenovo ThinkSystem Storage SIR Rack Mount Kit (for 2U24 enclosures)	B6TH	1

The following table summarizes the rack mount kit features and specifications.

Table 13. Rack mount kit features and specifications summary

Attribute	Screw-in fixed rail with adjustable depth		
	2U12	2U24/4U60	2U24 SIR
Feature code	B38X	B38Y	B6TH
Enclosure support	DM120S	DM240S DM600S‡	DM240S
Rail type	Fixed (static) with adjustable depth	Fixed (static) with adjustable depth	Fixed (static) with adjustable depth
Tool-less installation	No	No	No
In-rack maintenance	Yes*	Yes*	Yes*
Ship-in-rack (SIR) support	Yes	No	Yes
1U PDU support	Yes	Yes	Yes
0U PDU support	Limited**	Limited**	Limited**
Rack type	IBM or Lenovo 4-post, IEC standard-compliant		
Mounting holes	Square or round	Square or round	Square or round
Mounting flange thickness	2 mm (0.08 in.) – 3.3 mm (0.13 in.)	2 mm (0.08 in.) – 3.3 mm (0.13 in.)	2 mm (0.08 in.) – 3.3 mm (0.13 in.)
Distance between front and rear mounting flanges^	605 mm (23.8 in.) – 812.8 mm (32 in.)	605 mm (23.8 in.) – 812.8 mm (32 in.)	605 mm (23.8 in.) – 812.8 mm (32 in.)

‡ The rack cabinet must be at least 1100 mm (43.31 in.) deep for 4U60 enclosures.

\* The majority of the enclosure components can be serviced from the front or rear of the enclosure, which does not require the removal of the enclosure from the rack cabinet.

\*\* If a 0U PDU is used, the rack cabinet must be at least 1000 mm (39.37 in.) deep for 2U12 and 2U24 enclosures, or at least 1200 mm (47.24 in.) deep for 4U and 4U60 enclosures.

^ Measured when mounted on the rack, from the front surface of the front mounting flange to the rear most point of the rail.

## Physical specifications

The ThinkSystem DM5200H controller enclosure has the following dimensions and weight:

- Height: 87 mm (3.4 in.)
- Width with flange: 483 mm (19 in.)
- Width without flange: 447 mm (17.6 in.)
- Depth: 543 mm (21.4 in.)
- Weight (fully configured): 24.6 kg (54.3 lb)

The ThinkSystem DM120S 2U12 LFF enclosures have the following dimensions and weight (approximate):

- Height: 85 mm (3.4 in.)
- Width: 447 mm (17.6 in.)
- Depth: 483 mm (19.0 in.)
- Weight (fully configured): 28.7 kg (63.3 lb)

The ThinkSystem DM240S 2U24 SFF enclosures have the following dimensions and weight (approximate):

- Height: 85 mm (3.4 in.)
- Width: 449 mm (17.7 in.)
- Depth: 484 mm (19.1 in.)
- Weight (fully configured): 24.4 kg (53.8 lb)

The ThinkSystem DM600S 4U60 LFF enclosures have the following dimensions and weight (approximate):

- Height: 174 mm (6.9 in.)
- Width: 449 mm (17.7 in.)
- Depth: 922 mm (36.3 in.)
- Weight (fully configured): 111.5 kg (245.8 lb)

## Operating environment

The ThinkSystem DM5200H, DM120S 2U12 LFF, DM240S 2U24 SFF and DM600S 4U60 LFF enclosures are supported in the following environment:

- Air temperature:
  - Operating:
    - DM5200H: 10 °C - 35 °C (50 °F - 95 °F)
    - DM120S 2U12 LFF and DM240S 2U24 SFF: 10 °C - 40 °C (50 °F - 104 °F)
    - DM600S 4U60 LFF: 5 °C - 40 °C (41 °F - 104 °F)
  - Non-operating: -40 °C - +70 °C (-40 °F - 158 °F)
  - Maximum altitude: 3050 m (10,000 ft)
- Relative humidity (non-condensing):
  - Operating:
    - DM5200H: 8% - 80%
    - DM240S 2U24 SFF and DM120S 2U12 LFF: 20% - 80%
    - DM600S 4U60 LFF: 8% - 85%
  - Non-operating: 10% - 95%
- Electrical power:
  - DM5200H
    - 200 to 240 (nominal) V AC; 50 Hz or 60 Hz; 8.06 A
    - Maximum system power load: 1579 W
  - DM240S 2U24 SFF
    - 100 to 127 (nominal) V AC; 50 Hz or 60 Hz; 4.11 A
    - 200 to 240 (nominal) V AC; 50 Hz or 60 Hz; 2.05 A
    - Maximum system power load: 390 W
  - DM120S 2U12 LFF
    - 100 to 127 (nominal) V AC; 50 Hz or 60 Hz; 3.56 A
    - 200 to 240 (nominal) V AC; 50 Hz or 60 Hz; 1.78 A
    - Maximum system power load: 338 W
  - DM600S 4U60 LFF
    - 200 to 240 (nominal) V AC; 50 Hz or 60 Hz; 8.11 A
    - Maximum system power load: 1541 W
- Heat dissipation:
  - 4066 BTU/Hr (maximum), 2435 BTU/Hr (typical)
  - DM240S 2U24 SFF: 1331 BTU/hour
  - DM120S 2U12 LFF: 1153 BTU/hour
  - DM600S 4U60 LFF: 5258 BTU/hour
- Acoustical noise emission:
  - DM5200H: 8.0 bels
  - DM240S 2U24 SFF: 6.9 bels
  - DM120S 2U12 LFF: 6.3 bels
  - DM600S 4U60 SFF: 7.2 bels



## Warranty upgrades and post-warranty support

The DM5200H and expansion enclosure have a 3-year warranty based on the machine type of the system:

- Lenovo ThinkSystem DM5200H Unified Storage Array: 7DJ1 (3-year warranty)
- Lenovo ThinkSystem DE120S LFF Expansion Enclosure: 7D7X (3-year warranty)
- Lenovo ThinkSystem DE240S LFF Expansion Enclosure: 7D7Y (3-year warranty)
- Lenovo ThinkSystem DE600S LFF Expansion Enclosure: 7D7Z (3-year warranty)

Our global network of regional support centers offers consistent, local-language support enabling you to vary response times and level of service to match the criticality of your support needs:

- **Standard Next Business Day** – Best choice for non-essential systems requiring simple maintenance.
- **Premier Next Business Day** – Best choice for essential systems requiring technical expertise from senior-level Lenovo engineers.
- **Premier 24x7 4-Hour Response** – Best choice for systems where maximum uptime is critical.
- **Premier Enhanced Storage Support 24x7 4-Hour Response** – Best choice for storage systems where maximum uptime is critical.

For more information, consult the brochure [Lenovo Operational Support Services for Data Centers Services](#).

## Services

Lenovo Data Center Services empower you at every stage of your IT lifecycle. From expert advisory and strategic planning to seamless deployment and ongoing support, we ensure your infrastructure is built for success. Our comprehensive services accelerate time to value, minimize downtime, and free your IT staff to focus on driving innovation and business growth.

**Note:** Some service options may not be available in all markets or regions. For more information, go to <https://lenovocator.com/>. For information about Lenovo service upgrade offerings that are available in your region, contact your local Lenovo sales representative or business partner.

In this section:

- [Lenovo Advisory Services](#)
- [Lenovo Plan & Design Services](#)
- [Lenovo Deployment, Migration, and Configuration Services](#)
- [Lenovo Support Services](#)
- [Lenovo Managed Services](#)
- [Lenovo Sustainability Services](#)

## Lenovo Advisory Services

Lenovo Advisory Services simplify the planning process, enabling customers to build future-proofed strategies in as little as six weeks. Consultants provide guidance on projects including VM migration, storage, backup and recovery, and cost management to accelerate time to value, improve cost efficiency, and build a flexibly scalable foundation.

- **Assessment Services**

An Assessment helps solve your IT challenges through an onsite, multi-day session with a Lenovo technology expert. We perform a tools-based assessment which provides a comprehensive and thorough review of a company's environment and technology systems. In addition to the technology based functional requirements, the consultant also discusses and records the non-functional business requirements, challenges, and constraints. Assessments help organizations like yours, no matter how large or small, get a better return on your IT investment and overcome challenges in the ever-changing technology landscape.

- **Design Services**

Professional Services consultants perform infrastructure design and implementation planning to support your strategy. The high-level architectures provided by the assessment service are turned into low level designs and wiring diagrams, which are reviewed and approved prior to implementation. The implementation plan will demonstrate an outcome-based proposal to provide business capabilities through infrastructure with a risk-mitigated project plan.

## Lenovo Plan & Design Services

Unlock faster time to market with our tailored, strategic design workshops to align solution approaches with your business goals and technical requirements. Leverage our deep solution expertise and end-to-end delivery partnership to meet your goals efficiently and effectively.

## Lenovo Deployment, Migration, and Configuration Services

Optimize your IT operations by shifting labor-intensive functions to Lenovo's skilled technicians for seamless on-site or remote deployment, configuration, and migration. Enjoy peace of mind, faster time to value, and comprehensive knowledge sharing with your IT staff, backed by our best-practice methodology.

- **Deployment Services for Storage and ThinkAgile**

A comprehensive range of remote and onsite options tailored specifically for your business needs to ensure your storage and ThinkAgile hardware are fully operational from the start.

- **Hardware Installation Services**

A full-range, comprehensive setup for your hardware, including unpacking, inspecting, and positioning components to ensure your equipment is operational and error-free for the most seamless and efficient installation experience, so you can quickly benefit from your investments.

- **DM/DG File Migration Services**

Take the burden of file migration from your IT's shoulders. Our experts will align your requirements and business objectives to the migration plans while coordinating with your team to plan and safely execute the data migration to your storage platforms.

- **DM/DG/DE Health Check Services**

Our experts perform proactive checks of your Firmware and system health to ensure your machines are operating at peak and optimal efficiency to maximize up-time, avoid system failures, ensure the security of IT solutions and simplify maintenance.

- **Factory Integrated Services**

A suite of value-added offerings provided during the manufacturing phase of a server or storage system that reduces time to value. These services aim at improving your hardware deployment experience and enhance the quality of a standard configuration before it arrives at your facility.

## Lenovo Support Services

In addition to response time options for hardware parts, repairs, and labor, Lenovo offers a wide array of additional support services to ensure your business is positioned for success and longevity. Our goal is to reduce your capital outlays, mitigate your IT risks, and accelerate your time to productivity.

- **Premier Support for Data Centers**

Your direct line to the solution that promises the best, most comprehensive level of support to help you fully unlock the potential of your data center.

- **Premier Enhanced Storage Support (PESS)**

Gain all the benefits of Premier Support for Data Centers, adding dedicated storage specialists and resources to elevate your storage support experience to the next level.

- **Committed Service Repair (CSR)**

Our commitment to ensuring the fastest, most seamless resolution times for mission-critical systems that require immediate attention to ensure minimal downtime and risk for your business. This service is only available for machines under the Premier 4-Hour Response SLA.

- **Multivendor Support Services (MVS)**

Your single point of accountability for resolution support across vast range of leading Server, Storage, and Networking OEMs, allowing you to manage all your supported infrastructure devices seamlessly from a single source.

- **Keep Your Drive (KYD)**

Protect sensitive data and maintain compliance with corporate retention and disposal policies to ensure your data is always under your control, regardless of the number of drives that are installed in your Lenovo server.

- **Technical Account Manager (TAM)**

Your single point of contact to expedite service requests, provide status updates, and furnish reports to track incidents over time, ensuring smooth operations and optimized performance as your business grows.

- **Enterprise Software Support (ESS)**

Gain comprehensive, single-source, and global support for a wide range of server operating systems and Microsoft server applications.

For more information, consult the brochure [Lenovo Operational Support Services for Data Centers](#).

## Lenovo Managed Services

Achieve peak efficiency, high security, and minimal disruption with Lenovo's always-on Managed Services. Our real-time monitoring, 24x7 incident response, and problem resolution ensure your infrastructure operates seamlessly. With quarterly health checks for ongoing optimization and innovation, Lenovo's remote active monitoring boosts end-user experience and productivity by keeping your data center's hardware performing at its best.

Lenovo Managed Services provides continuous 24x7 remote monitoring (plus 24x7 call center availability) and proactive management of your data center using state-of-the-art tools, systems, and practices by a team of highly skilled and experienced Lenovo services professionals.

Quarterly reviews check error logs, verify firmware & OS device driver levels, and software as needed. We'll also maintain records of latest patches, critical updates, and firmware levels, to ensure you systems are providing business value through optimized performance.

## Lenovo Sustainability Services

- **Asset Recovery Services**

Lenovo Asset Recovery Services (ARS) provides a secure, seamless solution for managing end-of-life IT assets, ensuring data is safely sanitized while contributing to a more circular IT lifecycle. By maximizing the reuse or responsible recycling of devices, ARS helps businesses meet sustainability goals while recovering potential value from their retired equipment. For more information, see the [Asset Recovery Services offering page](#).

- **CO2 Offset Services**

Lenovo's CO2 Offset Services offer a simple and transparent way for businesses to take tangible action on their IT footprint. By integrating CO2 offsets directly into device purchases, customers can easily support verified climate projects and track their contributions, making meaningful progress toward their sustainability goals without added complexity.

- **Lenovo Certified Refurbished**

Lenovo Certified Refurbished offers a cost-effective way to support IT circularity without compromising on quality and performance. Each device undergoes rigorous testing and certification, ensuring reliable performance and extending its lifecycle. With Lenovo's trusted certification, you gain peace of mind while making a more sustainable IT choice.

## Lenovo TruScale

Lenovo TruScale XaaS is your set of flexible IT services that makes everything easier. Streamline IT procurement, simplify infrastructure and device management, and pay only for what you use – so your business is free to grow and go anywhere.

Lenovo TruScale is the unified solution that gives you simplified access to:

- The industry's broadest portfolio – from pocket to cloud – all delivered as a service
- A single-contract framework for full visibility and accountability
- The global scale to rapidly and securely build teams from anywhere
- Flexible fixed and metered pay-as-you-go models with minimal upfront cost
- The growth-driving combination of hardware, software, infrastructure, and solutions – all from one single provider with one point of accountability.

For information about Lenovo TruScale offerings that are available in your region, contact your local Lenovo sales representative or business partner.

## Regulatory compliance

The ThinkSystem DM Series enclosures conform to the following regulations:

- United States: FCC Part 15, Class A; UL 60950-1
- Canada: ICES-003, Class A; CAN/CSA-C22.2 60950-1
- Mexico NOM
- European Union: CE Mark (EN55032 Class A, EN55024, IEC/EN60950-1); ROHS Directive 2011/65/EU
- Russia, Kazakhstan, Belarus: EAC
- China: CCC GB 4943.1, GB 17625.1, GB 9254 Class A; CELP; CECP
- Japan: VCCI, Class A
- Taiwan: BSMI CNS 13438, Class A; CNS 14336-1
- Korea KN32/35, Class A
- Australia/New Zealand: AS/NZS CISPR 22 Class A

## Interoperability

Lenovo provides end-to-end storage compatibility testing to deliver interoperability throughout the network. The ThinkSystem DMxx00F Unified Flash Storage Array supports attachment to Lenovo servers by using NVMe over Fibre Channel (NVMe/FC), NAS (NFS and CIFS/SMB), iSCSI, and Fibre Channel storage connectivity.

For end-to-end storage configuration support, refer to the Lenovo Storage Interoperation Center (LSIC): <https://datacentersupport.lenovo.com/us/en/lxic>

Use the LSIC to select the known components of your configuration and then get a list all other supported combinations, with details about supported hardware, firmware, operating systems, and drivers, plus any additional configuration notes. View results on screen or export them to Excel.

## Cluster interconnect

The following lists the Ethernet storage switches that can be used with the ThinkSystem DM5200H for cluster interconnect and MetroCluster IP configurations.

- BES-53248
- Nvidia SN2100
- Cisco 9336C-FX2 (Preferred switch)

For more information, see the BES-53248 Ethernet Storage Switch for Lenovo Product Guide: <http://lenovopress.com/lp1226>

For more information, see the Nvidia SN2100 Switch for Lenovo Product Guide: <https://lenovopress.lenovo.com/lp1756-nvidia-sn2100-100gb-ethernet-storage-switch>

## Fibre Channel SAN switches

Lenovo offers the ThinkSystem DB Series of Fibre Channel SAN switches for high-performance storage expansion. See the DB Series product guides for models and configuration options:

- ThinkSystem DB Series SAN Switches: <https://lenovopress.com/storage/switches/rack#rt=product-guide>

## Rack cabinets

The following table lists the supported rack cabinets.

Table 14. Rack cabinets (D)

Model	Description
7D6DA007WW	ThinkSystem 42U Onyx Primary Heavy Duty Rack Cabinet (1200mm)
7D6DA008WW	ThinkSystem 42U Pearl Primary Heavy Duty Rack Cabinet (1200mm)
7D6EA009WW	ThinkSystem 48U Onyx Primary Heavy Duty Rack Cabinet (1200mm)
7D6EA00AWW	ThinkSystem 48U Pearl Primary Heavy Duty Rack Cabinet (1200mm)
93604PX	42U 1200mm Deep Dynamic Rack
93614PX	42U 1200mm Deep Static Rack
93634PX	42U 1100mm Dynamic Rack
93634EX	42U 1100mm Dynamic Expansion Rack
93074RX	42U Standard Rack (1000mm)

For specifications about these racks, see the Lenovo Rack Cabinet Reference, available from:

<https://lenovopress.com/lp1287-lenovo-rack-cabinet-reference>

For more information, see the list of Product Guides in the Rack cabinets category:

<https://lenovopress.com/servers/options/racks>

## Power distribution units

The following table lists the power distribution units (PDUs) that are offered by Lenovo.

Table 15. Power distribution units

Part number	Feature code	Description	ANZ	ASEAN	Brazil	EET	MEA	RUCIS	WE	HTK	INDIA	JAPAN	LA	NA	PRC
<b>0U Basic PDUs</b>															
4PU7A93176	C0QH	0U 36 C13 and 6 C19 Basic 32A 1 Phase PDU v2	Y	Y	Y	Y	Y	Y	Y	Y	Y	N	Y	Y	Y
4PU7A93169	C0DA	0U 36 C13 and 6 C19 Basic 32A 1 Phase PDU	Y	Y	Y	Y	Y	Y	Y	Y	Y	N	Y	Y	Y
4PU7A93177	C0QJ	0U 24 C13/C15 and 24 C13/C15/C19 Basic 32A 3 Phase WYE PDU v2	Y	Y	Y	Y	Y	Y	Y	Y	Y	Y	Y	Y	Y
4PU7A93170	C0D9	0U 24 C13/C15 and 24 C13/C15/C19 Basic 32A 3 Phase WYE PDU	Y	Y	Y	Y	Y	Y	Y	Y	Y	N	Y	Y	Y
<b>0U Switched and Monitored PDUs</b>															
4PU7A93181	C0QN	0U 21 C13/C15 and 21 C13/C15/C19 Switched and Monitored 48A 3 Phase Delta PDU v2 (60A derated)	N	Y	N	N	N	N	N	Y	N	Y	N	Y	N
4PU7A93174	C0D5	0U 21 C13/C15 and 21 C13/C15/C19 Switched and Monitored 48A 3 Phase Delta PDU (60A derated)	N	Y	N	N	N	N	N	Y	N	N	N	Y	N
4PU7A93178	C0QK	0U 20 C13 and 4 C19 Switched and Monitored 32A 1 Phase PDU v2	Y	Y	Y	Y	Y	Y	Y	Y	Y	N	Y	Y	Y
4PU7A93171	C0D8	0U 20 C13 and 4 C19 Switched and Monitored 32A 1 Phase PDU	Y	Y	Y	Y	Y	Y	Y	Y	Y	N	Y	Y	Y
4PU7A93182	C0QP	0U 18 C13/C15 and 18 C13/C15/C19 Switched and Monitored 63A 3 Phase WYE PDU v2	Y	Y	Y	Y	Y	Y	Y	Y	Y	Y	Y	Y	Y
4PU7A93175	C0CS	0U 18 C13/C15 and 18 C13/C15/C19 Switched and Monitored 63A 3 Phase WYE PDU	Y	Y	Y	Y	Y	Y	Y	Y	Y	N	Y	Y	Y
4PU7A93180	C0QM	0U 18 C13/C15 and 18 C13/C15/C19 Switched and Monitored 32A 3 Phase WYE PDU v2	Y	Y	Y	Y	Y	Y	Y	Y	Y	Y	Y	Y	Y
4PU7A93173	C0D6	0U 18 C13/C15 and 18 C13/C15/C19 Switched and Monitored 32A 3 Phase WYE PDU	Y	Y	Y	Y	Y	Y	Y	Y	Y	N	Y	Y	Y
4PU7A93179	C0QL	0U 16 C13/C15 and 16 C13/C15/C19 Switched and Monitored 24A 1 Phase PDU v2 (30A derated)	N	Y	N	N	N	N	N	Y	N	Y	N	Y	N
4PU7A93172	C0D7	0U 16 C13/C15 and 16 C13/C15/C19 Switched and Monitored 24A 1 Phase PDU(30A derated)	N	Y	N	N	N	N	N	Y	N	N	N	Y	N
<b>1U Switched and Monitored PDUs</b>															
4PU7A90808	C0D4	1U 18 C19/C13 Switched and monitored 48A 3P WYE PDU V2 ETL	N	N	N	N	N	N	N	Y	N	Y	Y	Y	N
4PU7A81117	BNDV	1U 18 C19/C13 switched and monitored 48A 3P WYE PDU - ETL	N	N	N	N	N	N	N	N	N	N	N	Y	N
4PU7A90809	C0DE	1U 18 C19/C13 Switched and monitored 48A 3P WYE PDU V2 CE	Y	Y	Y	Y	Y	Y	Y	Y	Y	Y	Y	N	Y
4PU7A81118	BNDW	1U 18 C19/C13 switched and monitored 48A 3P WYE PDU – CE	Y	Y	Y	Y	Y	Y	Y	Y	Y	Y	Y	N	Y



Part number	Feature code	Description	ANZ	ASEAN	Brazil	EET	MEA	RUCIS	WE	HTK	INDIA	JAPAN	LA	NA	PRC
4PU7A90810	C0DD	1U 18 C19/C13 Switched and monitored 80A 3P Delta PDU V2	N	N	N	N	N	N	N	Y	N	Y	Y	Y	N
4PU7A77467	BLC4	1U 18 C19/C13 Switched and Monitored 80A 3P Delta PDU	N	N	N	N	N	N	N	N	N	Y	N	Y	N
4PU7A90811	C0DC	1U 12 C19/C13 Switched and monitored 32A 3P WYE PDU V2	Y	Y	Y	Y	Y	Y	Y	Y	Y	Y	Y	Y	Y
4PU7A90812	C0DB	1U 12 C19/C13 Switched and monitored 60A 3P Delta PDU V2	N	N	N	N	N	N	N	Y	N	Y	Y	Y	N
4PU7A77469	BLC6	1U 12 C19/C13 switched and monitored 60A 3P Delta PDU	N	N	N	N	N	N	N	N	N	N	N	Y	N
71763NU	6051	Ultra Density Enterprise C19/C13 PDU 60A/208V/3PH	N	N	Y	N	N	N	N	N	N	Y	Y	Y	N
71762NX	6091	Ultra Density Enterprise C19/C13 PDU Module	Y	Y	Y	Y	Y	Y	Y	Y	Y	Y	Y	Y	Y
<b>Line cords for 1U PDUs that ship without a line cord</b>															
40K9611	6504	DPI 32a Cord (IEC 309 3P+N+G)	Y	Y	Y	Y	Y	Y	Y	Y	Y	Y	Y	Y	Y
40K9612	6502	DPI 32a Cord (IEC 309 P+N+G)	Y	Y	Y	Y	Y	Y	Y	Y	Y	Y	Y	Y	Y
40K9613	6503	DPI 63a Cord (IEC 309 P+N+G)	Y	Y	Y	Y	Y	Y	Y	Y	Y	Y	Y	Y	Y
40K9614	6500	DPI 30a Cord (NEMA L6-30P)	Y	Y	Y	Y	Y	Y	Y	Y	Y	Y	Y	Y	Y
40K9615	6501	DPI 60a Cord (IEC 309 2P+G)	N	N	Y	N	N	N	Y	N	N	Y	Y	Y	N

For more information, see the Lenovo Press documents in the PDU category:  
<https://lenovopress.com/servers/options/pdu>

## Uninterruptible power supply units

The following table lists the uninterruptible power supply (UPS) units that are offered by Lenovo.

Table 16. Uninterruptible power supply units

Part number	Description
<b>Rack-mounted or tower UPS units - 100-125VAC</b>	
7DD5A001WW	RT1.5kVA 2U Rack or Tower UPS-G2 (100-125VAC)
7DD5A003WW	RT3kVA 2U Rack or Tower UPS-G2 (100-125VAC)
<b>Rack-mounted or tower UPS units - 200-240VAC</b>	
7DD5A002WW	RT1.5kVA 2U Rack or Tower UPS-G2 (200-240VAC)
7DD5A005WW	RT3kVA 2U Rack or Tower UPS-G2 (200-240VAC)
7DD5A007WW	RT5kVA 3U Rack or Tower UPS-G2 (200-240VAC)
7DD5A008WW	RT6kVA 3U Rack or Tower UPS-G2 (200-240VAC)
7DD5A00AWW	RT11kVA 6U Rack or Tower UPS-G2 (200-240VAC)

† Only available in China and the Asia Pacific market.

For more information, see the list of Product Guides in the UPS category:  
<https://lenovopress.com/servers/options/ups>

## Lenovo Financial Services

Why wait to obtain the technology you need now? No payments for 90 days and predictable, low monthly payments make it easy to budget for your Lenovo solution.

- **Flexible**

Our in-depth knowledge of the products, services and various market segments allows us to offer greater flexibility in structures, documentation and end of lease options.

- **100% Solution Financing**

Financing your entire solution including hardware, software, and services, ensures more predictability in your project planning with fixed, manageable payments and low monthly payments.

- **Device as a Service (DaaS)**

Leverage latest technology to advance your business. Customized solutions aligned to your needs. Flexibility to add equipment to support growth. Protect your technology with Lenovo's Premier Support service.

- **24/7 Asset management**

Manage your financed solutions with electronic access to your lease documents, payment histories, invoices and asset information.

- **Fair Market Value (FMV) and \$1 Purchase Option Leases**

Maximize your purchasing power with our lowest cost option. An FMV lease offers lower monthly payments than loans or lease-to-own financing. Think of an FMV lease as a rental. You have the flexibility at the end of the lease term to return the equipment, continue leasing it, or purchase it for the fair market value. In a \$1 Out Purchase Option lease, you own the equipment. It is a good option when you are confident you will use the equipment for an extended period beyond the finance term. Both lease types have merits depending on your needs. We can help you determine which option will best meet your technological and budgetary goals.

Ask your Lenovo Financial Services representative about this promotion and how to submit a credit application. For the majority of credit applicants, we have enough information to deliver an instant decision and send a notification within minutes.

## Seller training courses

The following sales training courses are offered for employees and partners (login required). Courses are listed in date order.

### 1. **How to Order DM and DE Services Through DCSC**

2025-02-07 | 15 minutes | Employees and Partners

The goal of this training is to provide Lenovo sellers and business partners with an overview of the available services for ThinkSystem DM and DE.

Learning Objectives:

- Review what is included in each service
- Describe the benefits of each service
- Demonstrate how to order
- Discover where to go for more details

Tags: Services

Published: 2025-02-07

Length: 15 minutes

**Start the training:**

Employee link: [Grow@Lenovo](mailto:Grow@Lenovo)

Partner link: [Lenovo Partner Learning](#)

Course code: DSVC134r4

### 2. **Partner Technical Webinar - Cost Effective Storage Solutions**

2025-01-14 | 60 minutes | Employees and Partners

In this 60-minute replay, Lenovo Storage Architect, Dan Beins presented Lenovo's strategy, capabilities, and portfolio for Data Management. Dan did a super job going beyond the product feature / function and talking about where our products bring value to our customer's Data Management.

Tags: Data Management

Published: 2025-01-14

Length: 60 minutes

**Start the training:**

Employee link: [Grow@Lenovo](mailto:Grow@Lenovo)

Partner link: [Lenovo Partner Learning](#)

Course code: 011025

### 3. **How to Attach Services for ThinkSystem DM Using DCSC**

2024-12-23 | 20 minutes | Employees and Partners

The goal of this training is to review services for ThinkSystem DM products, professional and support services, support levels, and recommended options. By the end of this course, you will be able to summarize the professional services for ThinkSystem DM, identify the levels of maintenance support for the DM series, and recognize the steps required to attach services to DM products.

Tags: Services, ThinkSystem

Published: 2024-12-23

Length: 20 minutes

**Start the training:**

Employee link: [Grow@Lenovo](mailto:Grow@Lenovo)

Partner link: [Lenovo Partner Learning](#)

Course code: DSVC122r4

#### 4. **ThinkSystem DM and DE Series Technical Overview**

2024-10-15 | 30 minutes | Employees and Partners

This course provides a technical overview of the ThinkSystem DM and DE series products. Course DDMO101 – Lenovo ThinkSystem DM & DE Series Overview is recommended prior to this course.

By the end of this course, you should be able to:

- Describe the Lenovo portfolio for the DM and DE storage systems
- Explain features of the DM series ONTAP software
- Explain features of the ThinkSystem SAN Manager

Tags: Data Management, Storage

Published: 2024-10-15

Length: 30 minutes

**Start the training:**

Employee link: [Grow@Lenovo](mailto:Grow@Lenovo)

Partner link: [Lenovo Partner Learning](#)

Course code: DDMT100r2

#### 5. **Lenovo ThinSystem DG/DM Storage Series Portfolio Overview**

2024-09-10 | 60 minutes | Employees and Partners

This course builds on what you've learned in the Data Management Overview course. The course will help position the Lenovo ThinkSystem DG and DM series storage products. Completing this course will help you:

- understand the advantages of each product line and
- understand the key features and relate them to a range of customer business needs, whether small-scale or enterprise-level storage needs

Tags: Data Management, Storage, ThinkSystem

Published: 2024-09-10

Length: 60 minutes

**Start the training:**

Employee link: [Grow@Lenovo](mailto:Grow@Lenovo)

Partner link: [Lenovo Partner Learning](#)

Course code: DDMO103

6. **Lenovo Data Center Product Portfolio**  
2024-05-29 | 20 minutes | Employees and Partners

This course introduces the Lenovo data center portfolio, and covers servers, storage, storage networking, and software-defined infrastructure products. After completing this course about Lenovo data center products, you will be able to identify product types within each data center family, describe Lenovo innovations that this product family or category uses, and recognize when a specific product should be selected.

Tags: Advanced DataCenter, DataCenter Products, ThinkAgile, ThinkEdge, ThinkSystem

Published: 2024-05-29

Length: 20 minutes

**Start the training:**

Employee link: [Grow@Lenovo](mailto:Grow@Lenovo)

Partner link: [Lenovo Partner Learning](#)

Course code: SXXW1110r7

7. **VTT Data Management How to sell storage - April 2024**  
2024-04-10 | 60 minutes | Employees Only

In this course, you will know:

- Why do we sell storage?
- What are the basics you need to get an opportunity rolling?
- Why Lenovo for Storage?
- What is happening in the market today?
- How to determine traction?

Tags: Data Management, Storage

Published: 2024-04-10

Length: 60 minutes

**Start the training:**

Employee link: [Grow@Lenovo](mailto:Grow@Lenovo)

Course code: DVDAT209

8. **Lenovo Data Backup and Recovery Solution Overview**  
2024-03-25 | 40 minutes | Employees and Partners

The goal of this course is to give Lenovo sellers and business partners an overview of the Data Backup and Recovery solution. This course includes general information about backup, archive, disaster, nomenclature and key terms for back and recovery, and Lenovo features and alliance partners software.

Tags: Data Management

Published: 2024-03-25

Length: 40 minutes

**Start the training:**

Employee link: [Grow@Lenovo](mailto:Grow@Lenovo)

Partner link: [Lenovo Partner Learning](#)

Course code: DSOLO200

## 9. **ONTAP Technical Positioning**

2024-03-14 | 45 minutes | Employees and Partners

This course focuses on enabling you to interpret the technical market trends and challenges that ONTAP customers face. You also learn to ask qualifying questions that identify which industries, companies, and customer contacts are appropriate targets for ONTAP software. Module two covers explaining ONTAP features and functionality and enabling you to strengthen ONTAP marketing claims with technical details.

Learning Objectives:

- Interpret the technical market trends and challenges that ONTAP customers face
- Ask qualifying questions that identify which industries, companies, and customer contacts are appropriate targets for ONTAP software
- Explain ONTAP features and functionality
- Strengthen ONTAP marketing claims with technical details

Tags: Data Management, Sales, Storage, Technical Sales, ThinkSystem

Published: 2024-03-14

Length: 45 minutes

### **Start the training:**

Employee link: [Grow@Lenovo](mailto:Grow@Lenovo)

Partner link: [Lenovo Partner Learning](#)

Course code: DDMT200r2

## 10. **Data management Overview**

2024-03-14 | 25 minutes | Employees and Partners

After completing this course you will be able to:

1. Know more about the data management trends and challenges
2. Understand the data management portfolio
3. Find out how data drives business value

Tags: Data Management, Storage, ThinkSystem

Published: 2024-03-14

Length: 25 minutes

### **Start the training:**

Employee link: [Grow@Lenovo](mailto:Grow@Lenovo)

Partner link: [Lenovo Partner Learning](#)

Course code: DSTOO201

11. **VTT ONTAP 9.14.1 and Bundle Change Update - February 2024**  
2024-03-07 | 25 minutes | Employees and Partners

In this course, you will know more about:  
- The new Features of ONTAP 9.14.1 update  
- ONTAP Bundle Update

Tags: Data Management, Storage

Published: 2024-03-07  
Length: 25 minutes

**Start the training:**  
Employee link: [Grow@Lenovo](mailto:Grow@Lenovo)  
Partner link: [Lenovo Partner Learning](#)

Course code: DVDAT207

12. **Selling ONTAP**  
2024-03-06 | 22 minutes | Employees and Partners

In this course, you learn how ONTAP software helps your customers simplify data management, access and protect their data across clouds, and future-proof their environments.  
Learning objectives:

- Explain the value of ONTAP data-management software
- Describe the features and benefits of ONTAP 9 software
- Effectively position ONTAP software to your customers

Tags: Data Management, Storage, Technical Sales, ThinkSystem

Published: 2024-03-06  
Length: 22 minutes

**Start the training:**  
Employee link: [Grow@Lenovo](mailto:Grow@Lenovo)  
Partner link: [Lenovo Partner Learning](#)

Course code: DDMO102

13. **Family Portfolio: Storage**  
2024-02-02 | 15 minutes | Employees and Partners

This course covers products in the Lenovo storage portfolio, from storage servers to direct-access storage through storage systems.  
After completing this course about the Storage family, the learner will be able to identify products within the family, describe the features of this product family, and recognize when a specific product should be selected.

Tags: DataCenter Products, Storage, ThinkSystem

Published: 2024-02-02  
Length: 15 minutes

**Start the training:**  
Employee link: [Grow@Lenovo](mailto:Grow@Lenovo)  
Partner link: [Lenovo Partner Learning](#)

Course code: SXSW1201r16

14. **Competing with ONTAP Fundamentals**  
2024-02-01 | 16 minutes | Employees and Partners

Competing with ONTAP Fundamentals is intended to help sellers and partners be able to discuss the ONTAP Fundamentals license and how to position DM Series Storage with ONTAP Fundamentals versus competition.

Objectives:

Identify How to Position DM Series Storage with ONTAP Fundamentals Vs. Competition  
Discuss the ONTAP Fundamentals License

Tags: Sales, Storage

Published: 2024-02-01

Length: 16 minutes

**Start the training:**

Employee link: [Grow@Lenovo](mailto:Grow@Lenovo)

Partner link: [Lenovo Partner Learning](#)

Course code: DSTOC100

15. **ONTAP Data Protection Fundamentals**  
2023-11-02 | 76 minutes | Employees and Partners

In this course, we discuss the integrated data protection features in ONTAP data-management software. We also discuss the tools and software that you use to manage and monitor the data protection features. You learn about cluster peering, storage virtual machine (or SVM) peering, and data protection relationships. You also learn about the architecture and functionality of the Snapshot, SnapMirror, SnapVault, and SyncMirror technologies.

Course DDMT203 – ONTAP SAN Fundamentals is a prerequisite.

Course Objectives:

- Describe the integrated data protection features in ONTAP data-management software
- Identify the tools and software that you use to manage and monitor ONTAP data protection features
- Describe cluster peering, storage virtual machine (SVM) peering, and data protection relationships
- Explain the architecture and functionality of the Snapshot, SnapMirror, SnapVault, and SyncMirror technologies

Tags: Data Management, Sales, Storage, Technical Sales, ThinkSystem

Published: 2023-11-02

Length: 76 minutes

**Start the training:**

Employee link: [Grow@Lenovo](mailto:Grow@Lenovo)

Partner link: [Lenovo Partner Learning](#)

Course code: DDMT204r2



16. **Lenovo DM Series Data Efficiency Guarantee**

2023-10-09 | 10 minutes | Employees Only

The Data Efficiency Guarantee offers Lenovo customers an agreed amount of capacity savings. If the Lenovo solution does not meet the terms agreed to in the Guarantee, Lenovo will remediate.

Course Objectives:

- Define the Lenovo DM Series Data Efficiency Guarantee
- Understand how the guarantee works
- Describe the sales process for delivering and tracking the guarantee

Tags: Sales, Storage, ThinkSystem

Published: 2023-10-09

Length: 10 minutes

**Start the training:**

Employee link: [Grow@Lenovo](mailto:Grow@Lenovo)

Course code: DDMC100

17. **ThinkSystem DM Series Technical 200 - ONTAP Data Management Fundamentals**

2023-10-03 | 90 minutes | Employees and Partners

This course focuses on enabling you to manage and provision ONTAP systems and it is part of the ISG Sales education supporting our ThinkSystem DM and DE Series education. Before taking this course, you should have completed the ThinkSystem DM and DE Series Overview as well as the ThinkSystem DM and DE Series Technical Overview 100. 200 level technical knowledge is provided separately for the DM and DE Series products.

This course focuses on enabling you to do the following:

- Describe the consumers of resources and management requirements
- Describe the user and administrative roles that manage resources
- List the various data management products you can use to manage ONTAP systems
- Define the resources that are commonly provisioned
- Describe various methods and tools that can be used to provision resources

Tags: Storage

Published: 2023-10-03

Length: 90 minutes

**Start the training:**

Employee link: [Grow@Lenovo](mailto:Grow@Lenovo)

Partner link: [Lenovo Partner Learning](#)

Course code: DDMT205

18. **ThinkSystem DM Series Technical 200 - ONTAP Cluster Fundamentals**

2023-10-02 | 135 minutes | Employees and Partners

This course identifies and describes the components that make up a cluster. It also describes the supported cluster configurations and details the steps that are required to create and configure a cluster as well as discusses the physical storage components and the Write Anywhere File Layout file system, also known as the WAFL file system. Course DDMT200 – ONTAP Technical Positioning is a prerequisite.

By the end of this course, you will be able to:

- Identify the components that make up a cluster
- Describe the cluster configurations that are supported
- Create and configure a cluster
- Describe the physical storage components
- Describe the Write Anywhere File Layout (WAFL) file system

Tags: Storage

Published: 2023-10-02

Length: 135 minutes

**Start the training:**

Employee link: [Grow@Lenovo](mailto:Grow@Lenovo)

Partner link: [Lenovo Partner Learning](#)

Course code: DDMT201

19. **Assessment for Lenovo ThinkSystem DM and DE Series Technical Overview 100**

2023-10-02 | 30 minutes | Partners Only

This is the online assessment for the virtual-live course Lenovo ThinkSystem DM and DE Series Technical Overview 100 (DDMT100).

Your objective for this assessment is to complete the 15-question quiz with the minimum passing score of 80%.

Tags: Technical Sales

Published: 2023-10-02

Length: 30 minutes

**Start the training:**

Partner link: [Lenovo Partner Learning](#)

Course code: DDMT101

20. **ThinkSystem DM Series Technical 200 Assessment**

2023-09-28 | 15 minutes | Employees and Partners

This is the assessment for the DM Series Technical 200 training

Tags: Sales, Storage, ThinkSystem

Published: 2023-09-28

Length: 15 minutes

**Start the training:**

Employee link: [Grow@Lenovo](#)

Partner link: [Lenovo Partner Learning](#)

Course code: DDMT206

21. **VEEAM Solutions Sales Training**

2023-09-27 | 20 minutes | Employees and Partners

In this course you will learn about Hyper-availability for the Always-On Enterprise.

By the end of this training, you should be able to:

Identify and explain the core products and solutions offered by Veeam.

Explain the key benefits and value propositions of integrating Veeam solutions with Lenovo products.

Tags: Sales

Published: 2023-09-27

Length: 20 minutes

**Start the training:**

Employee link: [Grow@Lenovo](#)

Partner link: [Lenovo Partner Learning](#)

Course code: DSTOO100

22. **ONTAP SAN Fundamentals**

2023-09-26 | 60 minutes | Employees and Partners

In this course, you learn how ONTAP provides block access to a host by using SAN protocols. You learn about LUNs and how to map them to a host to enable read and write access. You also learn about multipathing techniques that can improve availability and performance.

The course objectives are:

1. Describe how ONTAP provides block access to a host
2. Explain how SANs use the iSCSI, FC, and FCoE protocols to transport data between a host and storage system
3. List the steps that are required to access a LUN in a storage virtual machine (SVM) from the host
4. Describe multipathing between the host and a cluster

Tags: Sales, Storage, ThinkSystem

Published: 2023-09-26

Length: 60 minutes

**Start the training:**

Employee link: [Grow@Lenovo](#)

Partner link: [Lenovo Partner Learning](#)

Course code: DDMT203

### 23. **ONTAP NAS Fundamentals**

2023-09-25 | 45 minutes | Employees and Partners

This course describes how ONTAP provides file access to clients. The course also explains how you use the NFS and SMB protocols to access files, how you access files over a network, and how you use load-balancing techniques to improve performance.

Course objectives:

1. Describe how ONTAP provides file access to clients
2. Use the NFS protocol to access files
3. Use the SMB protocol to access files
4. Access files over a network and use the load-balancing features of ONTAP

Tags: Sales, Storage, ThinkSystem

Published: 2023-09-25

Length: 45 minutes

**Start the training:**

Employee link: [Grow@Lenovo](mailto:Grow@Lenovo)

Partner link: [Lenovo Partner Learning](#)

Course code: DDMT202

### 24. **VEEAM Hyper-Availability Integration with ThinkSystem DM Series**

2023-09-20 | 20 minutes | Employees and Partners

In this course you will learn about VEEAM Hyper-Availability for ThinkSystem DM Series

Tags: ThinkSystem

Published: 2023-09-20

Length: 20 minutes

**Start the training:**

Employee link: [Grow@Lenovo](mailto:Grow@Lenovo)

Partner link: [Lenovo Partner Learning](#)

Course code: DSTOO300

### 25. **VTT The Benefits of Scale Out Clustering with DM/DG - September 2023**

2023-09-12 | 60 minutes | Employees Only

In this course, you will know more about:

- What is scale out?
- Hardware benefits
- Administrative benefits
- Scale out Features

Tags: Data Management, ThinkSystem

Published: 2023-09-12

Length: 60 minutes

**Start the training:**

Employee link: [Grow@Lenovo](mailto:Grow@Lenovo)

Course code: DVDAT204

26. **Storage Masters - Unified Storage on DM Series**

2023-07-28 | 14 minutes | Employees and Partners

Storage Masters is a multi-module education series. It is intended to help sellers and partners be able to discuss various storage topics that you will encounter in the field and how to position the valuable features of the DM Series within these conversations.

By the end of this training, you should be able to:

- Describe the business challenges resolved by the unified storage for the ThinkSystem DM series.
- Learn about the technology implemented on the DM series of storage arrays.
- Find out what are the benefits of the technology and positioning.

Tags: Data Management, Storage

Published: 2023-07-28

Length: 14 minutes

**Start the training:**

Employee link: [Grow@Lenovo](mailto:Grow@Lenovo)

Partner link: [Lenovo Partner Learning](#)

Course code: DSTOT2006

27. **VTT: SAP HANA Transition and Refresh Opportunity - July 2023**

2023-07-14 | 60 minutes | Employees Only

In this session, we cover:

- What Next for SAP Clients?
- Lenovo Opportunity
- Lenovo Portfolio for SAP Solutions
- RISE with SAP

Tags: Data Management, SAP, ThinkAgile, ThinkEdge, ThinkSystem

Published: 2023-07-14

Length: 60 minutes

**Start the training:**

Employee link: [Grow@Lenovo](mailto:Grow@Lenovo)

Course code: DVDAT202

28. **Storage Masters - DM Series - Data Security**

2023-06-30 | 14 minutes | Employees and Partners

Storage Masters is a multi-module education series. It is intended to help sellers and partners be able to discuss various storage topics that you will encounter in the field and how to position the valuable features of the DM Series within these conversations.

Tags: Data Management, Storage

Published: 2023-06-30

Length: 14 minutes

**Start the training:**

Employee link: [Grow@Lenovo](mailto:Grow@Lenovo)

Partner link: [Lenovo Partner Learning](#)

Course code: DSTOT2005

29. **Benefits and the positioning of Lenovo ThinkSystem file offerings with WEKA, DSS, and DM+ONTAP**

2023-05-08 | 10 minutes | Employees and Partners

Course objectives:

1. Learn about file storage
2. Understand the different types of storage
3. Recognize the Lenovo data management portfolio

Tags: Artificial Intelligence (AI), Storage, Technical Sales

Published: 2023-05-08

Length: 10 minutes

**Start the training:**

Employee link: [Grow@Lenovo](#)

Partner link: [Lenovo Partner Learning](#)

Course code: DSOLS207

30. **Lenovo ThinkSystem DM and DE Series Overview**

2023-02-15 | 25 minutes | Employees and Partners

This course focuses on enabling you to identify current business and technology challenges for your customers and position the ThinkSystem DM and DE series products, based on the needs of your customers.

The main objectives are:

- Identify current business and technology challenges for your customers
- Position the Lenovo ThinkSystem DM and DE Series products based on the needs of your customers

Tags: Sales, Storage, ThinkSystem

Published: 2023-02-15

Length: 25 minutes

**Start the training:**

Employee link: [Grow@Lenovo](#)

Partner link: [Lenovo Partner Learning](#)

Course code: DDMO101r5

31. **Storage Masters - DM Series Performance**  
2023-02-15 | 15 minutes | Employees and Partners

Storage Masters is a multi-module education series. It is intended to help sellers and partners be able to discuss various storage topics that you will encounter in the field and how to position the valuable features of the DM Series within these conversations.

By the end of this course, you will be able to:

- Understand the key business challenges that companies face with their data storage solutions
- Describe DM Series features
- Explain the benefit of DM Series features to customers

Tags: Data Management, Storage, ThinkSystem

Published: 2023-02-15

Length: 15 minutes

**Start the training:**

Employee link: [Grow@Lenovo](mailto:Grow@Lenovo)

Partner link: [Lenovo Partner Learning](#)

Course code: DSTOT2004r3

32. **Storage Masters - Hybrid Cloud for DM Series**  
2023-02-01 | 30 minutes | Employees and Partners

Storage Masters is a multi-module education series. It is intended to help sellers and partners be able to discuss various storage topics that you will encounter in the field and how to position the valuable features of the DM Series within these conversations.

Tags: Storage

Published: 2023-02-01

Length: 30 minutes

**Start the training:**

Employee link: [Grow@Lenovo](mailto:Grow@Lenovo)

Partner link: [Lenovo Partner Learning](#)

Course code: DSTOT2003

33. **ONTAP Fundamentals Bundle**  
2023-02-01 | 15 minutes | Employees and Partners

ONTAP Fundamentals is intended to help sellers and partners be able to discuss the ONTAP Fundamentals license. By the end of this training, you should be able to position ONTAP Fundamentals within the marketplace; describe the ONTAP bundle; identify when to use the ONTAP Bundle in an opportunity; and determine when to use ONTAP Premium in an opportunity.

Tags: DataCenter Products, Storage

Published: 2023-02-01

Length: 15 minutes

**Start the training:**

Employee link: [Grow@Lenovo](mailto:Grow@Lenovo)

Partner link: [Lenovo Partner Learning](#)

Course code: DSTOF200

### 34. **Lenovo DM Storage Series - Hybrid Cloud Solutions**

2022-11-04 | 15 minutes | Employees Only

This course focuses on enabling you to:

- Identify DM Series Hybrid Cloud Solutions
- Describe features of the DM Series FabricPool capability
- Describe features of the DM Series Cloud Volumes ONTAP capability.

Tags: Cloud, Storage, Technology solutions

Published: 2022-11-04

Length: 15 minutes

**Start the training:**

Employee link: [Grow@Lenovo](#)

Course code: DDM201

### 35. **Data Infrastructure Management - DM Series Storage**

2022-10-28 | 25 minutes | Employees Only

This course provides a technical overview of the ThinkSystem DM series products. Course DDMO101 – Lenovo ThinkSystem DM & DE Series Overview is recommended prior to this course.

By the end of this course, you should be able to:

- Recognize the components of the Lenovo Data Management portfolio
- Discuss the features of the Lenovo Data Management components
- Describe the features of the SnapCenter software components

Tags: Sales, Storage, Technical Sales, ThinkSystem

Published: 2022-10-28

Length: 25 minutes

**Start the training:**

Employee link: [Grow@Lenovo](#)

Course code: DDM200

## **Related publications and links**

For more information, see the following resources:

- Lenovo Data Center Unified Storage product page  
<https://www.lenovo.com/us/en/c/data-center/storage/unified-storage>
- Lenovo Data Center Solution Configurator  
<http://dcsc.lenovo.com>
- ThinkSystem DM Series documentation  
[http://thinksystem.lenovofiles.com/storage/help/topic/ontap\\_software/overview.html](http://thinksystem.lenovofiles.com/storage/help/topic/ontap_software/overview.html)
- ONTAP Ransomware Protection  
[https://thinksystem.lenovofiles.com/storage/help/topic/ontap\\_anti-ransomware/anti-ransomware.pdf](https://thinksystem.lenovofiles.com/storage/help/topic/ontap_anti-ransomware/anti-ransomware.pdf)
- Lenovo Data Center Support - ThinkSystem DMxx00F  
<https://datacentersupport.lenovo.com/us/en/products/storage/lenovo-storage/>



## Related product families

Product families related to this document are the following:

- [DM Series Storage](#)
- [External Storage](#)
- [Lenovo SAN Storage](#)

## Notices

Lenovo may not offer the products, services, or features discussed in this document in all countries. Consult your local Lenovo representative for information on the products and services currently available in your area. Any reference to a Lenovo product, program, or service is not intended to state or imply that only that Lenovo product, program, or service may be used. Any functionally equivalent product, program, or service that does not infringe any Lenovo intellectual property right may be used instead. However, it is the user's responsibility to evaluate and verify the operation of any other product, program, or service. Lenovo may have patents or pending patent applications covering subject matter described in this document. The furnishing of this document does not give you any license to these patents. You can send license inquiries, in writing, to:

Lenovo (United States), Inc.  
8001 Development Drive  
Morrisville, NC 27560  
U.S.A.

Attention: Lenovo Director of Licensing

LENOVO PROVIDES THIS PUBLICATION "AS IS" WITHOUT WARRANTY OF ANY KIND, EITHER EXPRESS OR IMPLIED, INCLUDING, BUT NOT LIMITED TO, THE IMPLIED WARRANTIES OF NON-INFRINGEMENT, MERCHANTABILITY OR FITNESS FOR A PARTICULAR PURPOSE. Some jurisdictions do not allow disclaimer of express or implied warranties in certain transactions, therefore, this statement may not apply to you.

This information could include technical inaccuracies or typographical errors. Changes are periodically made to the information herein; these changes will be incorporated in new editions of the publication. Lenovo may make improvements and/or changes in the product(s) and/or the program(s) described in this publication at any time without notice.

The products described in this document are not intended for use in implantation or other life support applications where malfunction may result in injury or death to persons. The information contained in this document does not affect or change Lenovo product specifications or warranties. Nothing in this document shall operate as an express or implied license or indemnity under the intellectual property rights of Lenovo or third parties. All information contained in this document was obtained in specific environments and is presented as an illustration. The result obtained in other operating environments may vary. Lenovo may use or distribute any of the information you supply in any way it believes appropriate without incurring any obligation to you.

Any references in this publication to non-Lenovo Web sites are provided for convenience only and do not in any manner serve as an endorsement of those Web sites. The materials at those Web sites are not part of the materials for this Lenovo product, and use of those Web sites is at your own risk. Any performance data contained herein was determined in a controlled environment. Therefore, the result obtained in other operating environments may vary significantly. Some measurements may have been made on development-level systems and there is no guarantee that these measurements will be the same on generally available systems. Furthermore, some measurements may have been estimated through extrapolation. Actual results may vary. Users of this document should verify the applicable data for their specific environment.

© Copyright Lenovo 2025. All rights reserved.

This document, LP2149, was created or updated on April 23, 2025.

Send us your comments in one of the following ways:

- Use the online Contact us review form found at:  
<https://lenovopress.lenovo.com/LP2149>
- Send your comments in an e-mail to:  
[comments@lenovopress.com](mailto:comments@lenovopress.com)

This document is available online at <https://lenovopress.lenovo.com/LP2149>.

## Trademarks

Lenovo and the Lenovo logo are trademarks or registered trademarks of Lenovo in the United States, other countries, or both. A current list of Lenovo trademarks is available on the Web at <https://www.lenovo.com/us/en/legal/copytrade/>.

The following terms are trademarks of Lenovo in the United States, other countries, or both:

Lenovo®

ThinkAgile®

ThinkSystem®

XClarity®

The following terms are trademarks of other companies:

Linux® is the trademark of Linus Torvalds in the U.S. and other countries.

Microsoft®, Excel®, Internet Explorer®, Windows Server®, and Windows® are trademarks of Microsoft Corporation in the United States, other countries, or both.

Other company, product, or service names may be trademarks or service marks of others.