

QLogic 10Gb CNA for IBM System x and IBM Power Systems

Product Guide (withdrawn product)

The QLogic 10Gb CNA is a PCI Express 2.0 x4 10Gb Converged Network Adapter and is available for both IBM System x and IBM Power Systems servers. For IBM Power Systems, the adapter is known as the 10 Gb FCoE PCIe Dual Port Adapter (Feature 5708). The adapter connects to SFP+ Multimode Fiber SR optical modules. The System x version also supports SFP+ Active Copper cables, depending on the Ethernet switch used.

This adapter supports 10 Gbps per port maximum bidirectional throughput for high-bandwidth storage (SAN) and networking (LAN) traffic, with full hardware offload for Fibre Channel over Ethernet (FCoE) protocol processing. The QLogic 10Gb CNA is shown in Figure 1.

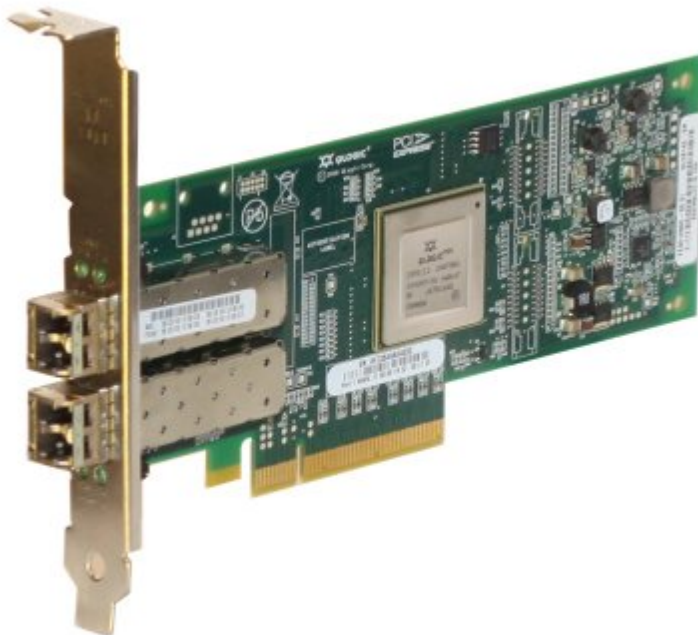


Figure 1. QLogic 10Gb CNA

Did you know?

Convergence of SAN and LAN traffic on a single adapter and wire helps lower the total cost of ownership by reducing the reduced hardware, power, cooling, management, and maintenance costs. It offers investment protection by providing seamless compatibility with existing Fibre Channel (FC) Storage, ethernet networks, driver software, and management applications.

Part number information

Table 1. Ordering part number and feature code

Description	Option part number	Feature code
QLogic 10Gb CNA for IBM System x	42C1800	5751
QLogic 10Gb CNA for IBM Power Systems (Feature 5708, 10 Gb FCoE PCIe Dual Port Adapter)*	Not applicable	5708
QLogic 10Gb SFP+ SR Optical Transceiver	49Y4218	0064

* Includes the QLogic 10Gb SFP+ SR Optical Transceiver

Part number 42C1800 includes the following items:

- One QLogic 10Gb CNA for IBM System x
- 2U bracket
- Support CD
- Safety flyer

The transceiver is not included with part number 42C1800 or System x feature 5751, however it is included with Power Systems feature 5708. The adapter supports either SFP+ SR transceivers or twin-ax direct-attached copper cables as listed in Table 2.

Note: Direct-attach copper cables are not supported by the QLogic 10Gb CNA for IBM Power Systems, feature code 5708.

Table 2. Supported Transceivers and DACs

Description	Option part number
Optical Transceivers	
QLogic 10Gb SFP+ SR Optical Transceiver*	49Y4218
Active DAC/Twinax cables**	
IBM Twinax Direct Attach Cable (DAC) 1m	45W2398 (8-pack: 45W2401)
IBM Twinax Direct Attach Cable (DAC) 3m	45W2408 (8-pack: 45W2409)
IBM Twinax Direct Attach Cable (DAC) 5m	45W3039 (8-pack: 45W3042)

* This transceiver is standard with the Power Systems feature 5708

** Direct-attach copper cables are not supported by the QLogic 10Gb CNA for IBM Power Systems, feature code 5708

Features

The QLogic 10Gb CNA has the following features:

- PCI Express 2.0 compliance
- Operates at PCI Express 2.0 x4 or PCI Express 1.1 x8
- Transceiver support:
 - System x option: Two SFP+ cages for either SFP+ Fiber SR or SFP+ Active Copper
 - Power Systems feature: Two QLogic 10Gb SFP+ SR Optical Transceivers standard
- Standard PCI Express half length card with low profile form factor
- Support for both standard PCI-E slot and low profile PCI-E slot (System x option only)
- Support for 10Gb Converged Enhanced Ethernet (CEE)
- Support for Fibre Channel over Converged Enhanced Ethernet (FCoCEE)
- Full hardware offload for FC protocol processing
- Support for IPv4 and IPv6
- Support for PXE boot (firmware 1.01.94 or later)

Ethernet specifications

The QLogic 10Gb CNA has the following Ethernet specifications:

- Throughput: 10 Gbps full duplex line rate per port
- Topology: Any 10Gb Ethernet Network
- Ethernet Frame: 1500 byte or 9000 byte (Jumbo Frame)
- Stateless offload features:
 - IP, TCP, and UDP checksum offloads
 - Large and Giant Send Offload (LSO, GSO)
 - Receive Side Scaling (RSS)
 - Header-data split
 - Interrupt coalescing
 - NetQueue
- Enhanced Ethernet features:
 - Priority-based flow control (802.1Qbb rev. 0)
 - Enhanced transmission selection (802.1Qaz rev. 0)
 - DCBX protocol (802.1Qaz rev. 0)
- Compliance
 - IEEE: 802.3ae (10Gb Ethernet)
 - 802.1q (VLAN)
 - 802.3ad (Link Aggregation)
 - 802.1p (Priority Encoding)
 - 802.3x (Flow Control)
 - 802.3ap (KX/KX4)
 - 802.3ak (CX4)
 - IEEE 1149.1 (JTAG)
 - IPv4 Specification (RFC 791)
 - IPv6 Specification (RFC 2460)
 - TCP/UDP Specification (RFC 793/768)
 - ARP Specification (RFC 826)

FCoE specifications

The QLogic 10Gb CNA has the following FCoE specifications:

- Performance: 250,000 IOPS per port
- Logins: Support for 2048 concurrent logins and 2048 active exchanges
- Class of service: Class 3
- Protocols: FCP (SCSI-FCP), FC-TAPE (FCP-2)
- Compliance:
 - SCSI-3 Fibre Channel Protocol (SCSI-FCP)
 - Fibre Channel Tape (FC-TAPE) profile
 - SCSI Fibre Channel Protocol-2 (FCP-2)
 - Second Generation FC Generic Services (FC-GS-2)
 - Third Generation FC Generic Services (FC-GS-3)

Operating environment

The adapter is supported in this environment:

- Temperature:
 - Operating: 0° to 55°C (32° to 113°F) at 0 to 914 m (0 to 3000 ft)
 - Storage: -43° to 73°C (-40° to 163°F) at 0 to 914 m (0 to 3000 ft)
- Relative humidity: 5% to 93% (non-condensing)

Supported servers

The QLogic 10Gb CNA for IBM System x is supported in the IBM System x servers listed in Table 3.

Table 3. Supported System x servers (Part 1)

		x3100 M3	x3200 M2	x3200 M3	x3250 M2	x3250 M3	x3350	x3400	x3400 M2	x3400 M3	x3455	x3500	x3500 M2	x3500 M3
QLogic 10Gb CNA for IBM System x	42C1800	N	Y	Y	Y	Y	Y	Y	Y	Y	Y	Y	Y	Y

Table 3. Supported System x servers (Part 2)

		x3550	x3550 M2	x3550 M3	x3620 M3	x3630 M3	x3650	x3650 T	x3650 M2	x3650 M3	x3655	x3690 X5	x3755	x3755 M3	x3850 M2	x3950 M2	x3850 X5
QLogic 10Gb CNA for IBM System x	42C1800	Y	Y	Y	Y	Y	Y	Y	Y	Y	Y	Y	Y	N	Y	Y	Y

See IBM ServerProven for the latest information on the System x servers that support this adapter:
<http://ibm.com/servers/eserver/serverproven/compat/us/>

The QLogic CNA is supported in the IBM Power Systems servers listed in Table 4.

Table 4. Supported Power Systems servers

Adapter	Feature code	Power 520	Power 550	Power 560	Power 570	Power 575	Power 595	Power 750	Power 755	Power 770	Power 780
QLogic 10Gb CNA for IBM Power Systems (10 Gb FCoE PCIe Dual Port Adapter)	5708	Y	Y	Y	Y	Y	Y	Y	Y	Y	Y

Popular configurations

This section illustrates how the QLogic 10Gb CNA for IBM System x can be used in configurations.

Figure 2 shows QLogic 10Gb CNA installed in a supported x3650 M2 server. The server is connected to the IBM System Storage DS4700 via two IBM Converged Switch B32 switches.

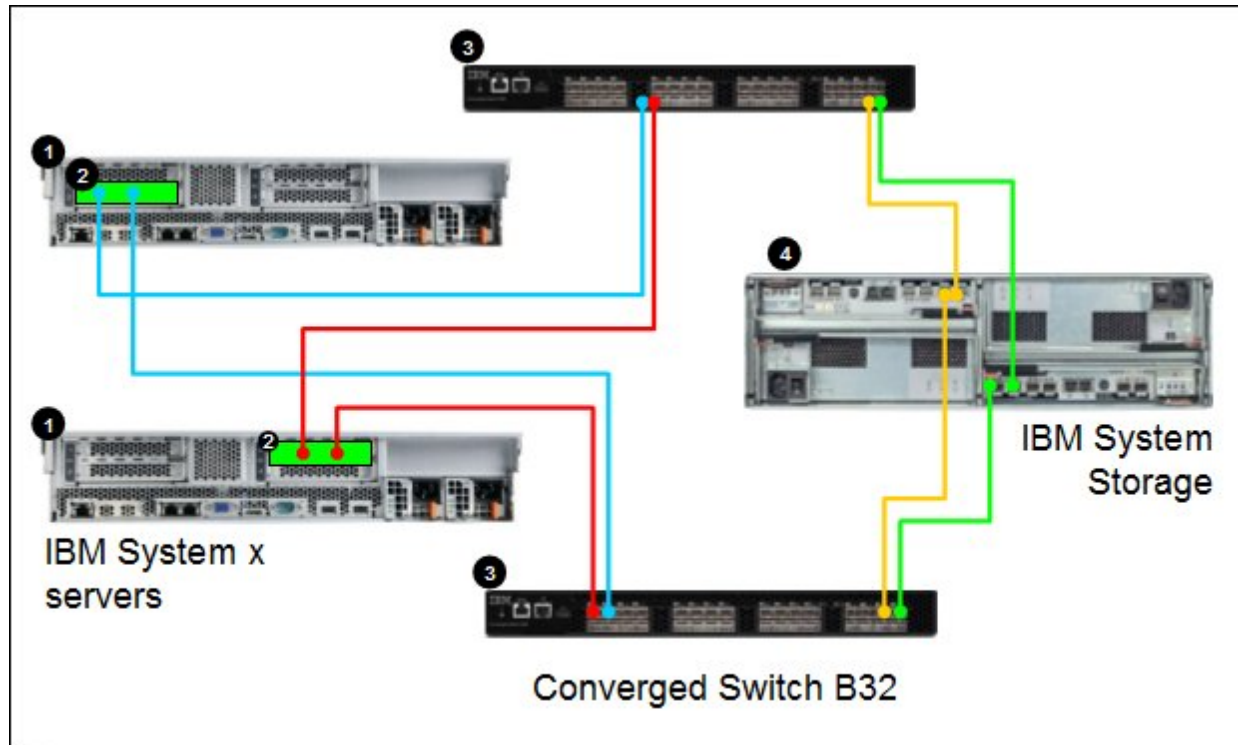


Figure 2. x3650 M2 server with the QLogic 10Gb CNA connected the IBM System Storage DS4700

The parts used are listed in Table 5.

Table 5. Components used when connecting QLogic 10Gb CNA to external disk storage (Figure 2)

Diagram reference	Part number/machine type	Description	Quantity
1	Varies	x3650 M2 or other supported server (See Tables 3 and 4)	2
2	42C1800	QLogic 10Gb CNA for IBM System x	2
2	49Y4218	QLogic 10Gb SFP+ SR Optical Transceiver	4
3	3758-B32	IBM Converged Switch B32	2
4	1814-70A or 1814-70H	IBM System Storage DS4700 (Model 70 or Model 72)	1

This configuration also requires cabling between the servers and the IBM Converged Switches B32 and between the IBM Converged Switches B32 and storage system. (The cable part numbers are not listed in Table 4.)

Supported operating systems

The QLogic 10Gb CNA for IBM System x supports the following operating systems:

- Microsoft Windows Server 2003, Web Edition
- Microsoft Windows Server 2003/2003 R2, Datacenter Edition
- Microsoft Windows Server 2003/2003 R2, Datacenter x64 Edition
- Microsoft Windows Server 2003/2003 R2, Enterprise Edition
- Microsoft Windows Server 2003/2003 R2, Enterprise x64 Edition
- Microsoft Windows Server 2003/2003 R2, Standard Edition
- Microsoft Windows Server 2003/2003 R2, Standard x64 Edition
- Microsoft Windows Server 2008 R2
- Microsoft Windows Server 2008, Datacenter x64 Edition
- Microsoft Windows Server 2008, Datacenter x86 Edition
- Microsoft Windows Server 2008, Enterprise x64 Edition
- Microsoft Windows Server 2008, Enterprise x86 Edition
- Microsoft Windows Server 2008, Standard x64 Edition
- Microsoft Windows Server 2008, Standard x86 Edition
- Microsoft Windows Server 2008, Web x64 Edition
- Microsoft Windows Server 2008, Web x86 Edition
- Red Hat Enterprise Linux 4 AS for AMD64/EM64T
- Red Hat Enterprise Linux 4 AS for x86
- Red Hat Enterprise Linux 4 ES for AMD64/EM64T
- Red Hat Enterprise Linux 4 ES for x86
- Red Hat Enterprise Linux 4 WS/HPC for AMD64/EM64T
- Red Hat Enterprise Linux 4 WS/HPC for x86
- Red Hat Enterprise Linux 5 Server Edition
- Red Hat Enterprise Linux 5 Server Edition with Xen
- Red Hat Enterprise Linux 5 Server with Xen x64 Edition
- Red Hat Enterprise Linux 5 Server x64 Edition
- Red Hat Enterprise Linux 6 Server Edition
- Red Hat Enterprise Linux 6 Server x64 Edition
- SUSE LINUX Enterprise Server 10 for AMD64/EM64T
- SUSE LINUX Enterprise Server 10 for x86
- SUSE LINUX Enterprise Server 10 with Xen for AMD64/EM64T
- SUSE LINUX Enterprise Server 11 for AMD64/EM64T
- SUSE LINUX Enterprise Server 11 for x86
- SUSE LINUX Enterprise Server 11 with Xen for AMD64/EM64T
- VMware ESX 4.0
- VMware ESX 4.1
- VMware ESXi 4.0
- VMware ESXi 4.1

See IBM ServerProven at <http://ibm.com/servers/eserver/serverproven/compat/us/> for the latest information about the specific versions and service packs supported.

The QLogic 10Gb CNA for IBM Power Systems (feature 5708) supports the following operating systems:

- AIX 5.3 with the 5300-11 Technology Level, or later
- AIX 6.1 with the 6100-04 Technology Level, or later
- SUSE Linux Enterprise Server 10 Service Pack 3 or later
- Red Hat Enterprise Linux 5.4 or later
- VIOS 2.1.2.0 (also for IBM i support)

Note: IBM i support is limited to Ethernet traffic only

Related publications

For more information refer to these documents:

- 10Gb CNAs for IBM System x product page
<http://ibm.com/systems/x/options/storage/cna>
- *QLogic 10Gb CNA for IBM System x Installation and User's Guide* (You will need to download the "publication release" EXE file and run it to unpack the PDF)
<http://ibm.com/support/entry/portal/docdisplay?Indocid=MIGR-5081072>
- Software and firmware for the adapter (QLE8142)
http://driverdownloads.qlogic.com/QLogicDriverDownloads_UI/Product_detail_new.aspx?oemid=395
- IBM US Announcement Letter for the QLogic 10Gb CNA for IBM System x
<http://ibm.com/common/ssi/cgi-bin/ssialias?infotype=dd&subtype=ca&&htmlfid=897/ENUS109-333>
- IBM US Announcement Letter for the QLogic 10Gb CNA for IBM Power Systems
<http://ibm.com/common/ssi/cgi-bin/ssialias?infotype=dd&subtype=ca&&htmlfid=897/ENUS109-571>
- IBM System x Configuration and Options Guide
<http://ibm.com/support/entry/portal/docdisplay?Indocid=SCOD-3ZVQ5W>
- IBM Redbooks paper, *IBM Converged Switch B32*, REDP-4588
<http://www.redbooks.ibm.com/abstracts/redp4588.html?Open>

Related product families

Product families related to this document are the following:

- [Ethernet Adapters](#)

Notices

Lenovo may not offer the products, services, or features discussed in this document in all countries. Consult your local Lenovo representative for information on the products and services currently available in your area. Any reference to a Lenovo product, program, or service is not intended to state or imply that only that Lenovo product, program, or service may be used. Any functionally equivalent product, program, or service that does not infringe any Lenovo intellectual property right may be used instead. However, it is the user's responsibility to evaluate and verify the operation of any other product, program, or service. Lenovo may have patents or pending patent applications covering subject matter described in this document. The furnishing of this document does not give you any license to these patents. You can send license inquiries, in writing, to:

Lenovo (United States), Inc.
8001 Development Drive
Morrisville, NC 27560
U.S.A.

Attention: Lenovo Director of Licensing

LENOVO PROVIDES THIS PUBLICATION "AS IS" WITHOUT WARRANTY OF ANY KIND, EITHER EXPRESS OR IMPLIED, INCLUDING, BUT NOT LIMITED TO, THE IMPLIED WARRANTIES OF NON-INFRINGEMENT, MERCHANTABILITY OR FITNESS FOR A PARTICULAR PURPOSE. Some jurisdictions do not allow disclaimer of express or implied warranties in certain transactions, therefore, this statement may not apply to you.

This information could include technical inaccuracies or typographical errors. Changes are periodically made to the information herein; these changes will be incorporated in new editions of the publication. Lenovo may make improvements and/or changes in the product(s) and/or the program(s) described in this publication at any time without notice.

The products described in this document are not intended for use in implantation or other life support applications where malfunction may result in injury or death to persons. The information contained in this document does not affect or change Lenovo product specifications or warranties. Nothing in this document shall operate as an express or implied license or indemnity under the intellectual property rights of Lenovo or third parties. All information contained in this document was obtained in specific environments and is presented as an illustration. The result obtained in other operating environments may vary. Lenovo may use or distribute any of the information you supply in any way it believes appropriate without incurring any obligation to you.

Any references in this publication to non-Lenovo Web sites are provided for convenience only and do not in any manner serve as an endorsement of those Web sites. The materials at those Web sites are not part of the materials for this Lenovo product, and use of those Web sites is at your own risk. Any performance data contained herein was determined in a controlled environment. Therefore, the result obtained in other operating environments may vary significantly. Some measurements may have been made on development-level systems and there is no guarantee that these measurements will be the same on generally available systems. Furthermore, some measurements may have been estimated through extrapolation. Actual results may vary. Users of this document should verify the applicable data for their specific environment.

© Copyright Lenovo 2024. All rights reserved.

This document, TIPS0720, was created or updated on January 11, 2013.

Send us your comments in one of the following ways:

- Use the online Contact us review form found at:
<https://lenovopress.lenovo.com/TIPS0720>
- Send your comments in an e-mail to:
comments@lenovopress.com

This document is available online at <https://lenovopress.lenovo.com/TIPS0720>.

Trademarks

Lenovo and the Lenovo logo are trademarks or registered trademarks of Lenovo in the United States, other countries, or both. A current list of Lenovo trademarks is available on the Web at <https://www.lenovo.com/us/en/legal/copytrade/>.

The following terms are trademarks of Lenovo in the United States, other countries, or both:

Lenovo®

ServerProven®

System x®

The following terms are trademarks of other companies:

Linux® is the trademark of Linus Torvalds in the U.S. and other countries.

Microsoft®, Windows Server®, and Windows® are trademarks of Microsoft Corporation in the United States, other countries, or both.

Other company, product, or service names may be trademarks or service marks of others.