

## IBM 1735 Rack-Based Local Console Switches (Withdrawn)

### Product Guide (withdrawn product)

The family of IBM rack-based local console switches is designed to provide exceptional scalability and flexibility in managing data center environments. They give server administrators the power to centrally manage multiple servers from a single keyboard, mouse, and display. The CAT5-based switches work across all major platforms, are rack-mountable, and provide access for up to two simultaneous local users.



IBM 1x8 Rack Console Switch



IBM 2x16 Rack Console Switch



IBM Local 2x8 Console Manager (LCM2)

Figure 1. The IBM Rack Console Switches

## **Did you know?**

Each of these keyboard-video-mouse (KVM) switches does more than just support the connection of eight or 16 direct-attach systems. With either daisy-chaining or tiered console switches, you can manage up to 128 systems from a single desktop using the 1x8 switch, up to 256 with the 2x16 switch, and up to 512 target systems with three tiers of LCM2 switches.

The LCM2 also supports a virtual media solution where you can connect a USB storage device directly to the LCM2 switch or leverage the integrated optical drive or USB pass-through on an attached 17" or 19" console kit and simply map the device directly to any servers attached to the switch with a Virtual Media Conversion Option (VCO). This solution eliminates the need to physically locate each system in the rack when transferring data during deployment or patching multiple servers.

## Part number information

Table 1. Ordering part numbers and feature codes

Description	Part number	Feature code
IBM 1x8 Console Switch	17353LX	Not applicable
IBM 2x16 Console Switch	17354LX	Not applicable
IBM Local 2x8 Console Manager (LCM2)	17351GX	Not applicable
IBM USB Conversion Option (UCO)	43V6147	1735HC1 fc 3756
IBM USB Conversion Option (UCO) 4-pack	39M2895	Not available
IBM Long KVM Conversion Option (KCO)	39M2897	1735HC1 fc 3754
IBM Virtual Media Conversion Option (VCO)	39M2894	1735HC1 fc 3758

The IBM 1x8 Console Switch includes the following items:

- One 1x8 Console Switch
- Mounting hardware for EIA space for rack sidewall compartment
- One 1U filler panel
- One C13/C14 rack power cable
- Eight terminators for daisy-chaining configurations
- Installation publications and warranty

The IBM 2x16 Console Switch includes the following items:

- One 2x16 Console Switch
- Mounting hardware for EIA space for rack sidewall compartment
- One 1U filler panel
- One C13/C14 rack power cable
- 16 terminators for daisy-chaining configurations
- Installation publications and warranty

The IBM Local 2x8 Console Manager includes the following items:

- One 2x8 Console Switch
- Mounting hardware for EIA space for rack sidewall compartment
- One 1U filler panel
- One C13/C14 rack power cable
- Eight terminators for daisy-chaining configurations
- One 6 ft CAT-5 cable
- Installation publications and warranty

Each of the Conversion Option parts listed in Table 1 ships with:

- One Conversion Option
- One CAT-5 cable
- Installation publications and warranty

## Features

The KVM console switches enable you to share one workspace (keyboard, mouse, and display) across many target

systems. The target systems are connected to the console switch via CAT-5 cables and the appropriate conversion option at the target end. Conversion options are available with either USB or PS/2 connectors. In addition, multiple target systems can be daisy-chained together using CAT-5 cables, and then all connected to the console switch using the one cable, thereby eliminating a lot of cable clutter.

Table 2. Comparison of features

Feature	IBM 1x8 Console Switch	IBM 2x16 Console Switch	IBM 2x8 LCM2
Number of local concurrent users	1	2	2
Local user connections - KVM	VGA + PS/2 or USB	VGA + PS/2 or USB	VGA + PS/2 or USB
Local user connections - extra USB	No	No	Yes (2)
Remote user connections	Not available	Not available	Not available
Maximum number of target systems - Direct (ARI ports)	8	16	8
Maximum number of target systems - Daisy-chained	128	256	128
Maximum number of target systems - Tiered configuration	128	256	512 / 2048‡
Maximum video resolution	1280 x 1024 @ 75 Hz	1280 x 1024 @ 75 Hz	1280 x 1024 @ 75 Hz
Support for USB Conversion Option, UCO (43V6147 and 39M2895)	Yes	Yes	Yes
Support for KVM (PS/2) Conversion Option, KCO (39M2897)	Yes	Yes	Yes
Support for Virtual Media Conversion Option, VCO (39M2894)	Yes*	Yes*	Yes
Virtual media	No	No	Yes
OSCAR user interface	Yes	Yes	Yes
Password protection	Yes	Yes	Yes
Serial port	Yes	Yes	Yes
Ethernet port	No	No	Yes†
Firmware upgrades to the console switch	Via serial port	Via serial port	Via serial & Ethernet
Firmware upgrades to the COs	Via OSCAR interface	Via OSCAR interface	Via OSCAR interface
Input power	100-240V, 50/60 Hz 12.5 W consumption, 40 W max	100-240V, 50/60 Hz 12.5 W consumption, 40 W max	100-240V, 50/60 Hz 12.5 W consumption, 40 W max

\* The 1x8 and 2x16 console switches support the use of the Virtual Media Conversion Option (VCO) for connectivity, but they do not support the use of remote virtual media. The use of the VCO with these console switches represents a lower-cost alternative to the UCO if chaining is not required.

‡ 2048 target systems in a tiered configuration when front-ended with a Global Console Manager console switch.

† The Ethernet port of the LCM2 is for firmware updates only.

#### Number of local concurrent users:

The 1x8 and LCM2 console switches enable a single local user to access any attached servers. The 2x16 console switch enables two simultaneous users to access attached servers. With the 2x16 console switch, connections can be preemptive or cooperative. In preemptive mode, the connection between one local user and a target device is disconnected, without warning, if the second local user selects the same target device. In cooperative mode, the local user maintains the connection to a target device if another user selects the same target device. The way the keyboard and mouse are shared is configurable via the OSCAR interface.

#### Local user connections:

Local displays are connected to the console switch using VGA analog connections. Keyboard and mouse can be either PS/2-style connections or USB. Two USB ports are provided for mouse and keyboard connections. The LCM2 includes two additional USB ports for the attachment of devices such as optical drives or memory keys. These devices can be made available on remote target systems provided Virtual Media Conversion Options are used to connect to those target systems. Note, however, that the Virtual Media Conversion Option does not support chaining of target systems.

### Target systems:

Each console switch has 8 or 16 target system ports (known as analog rack interface or ARI ports). These can be directly attached to systems with the appropriate USB or PS/2 conversion option connector on the end. These connections use standard CAT-5 cables. You can increase the number of connected target systems by two methods: chaining or a tiered arrangement of switches (more about these below). Both methods mean that each of the 8 or 16 ports will have multiple systems connected to it. You can mix connection methods.

### Conversion Options:

These are cables-connector combinations that are connected between the CAT-5 cables from the console switches to the target systems. Figure 2 shows the three conversion option cables available for use with the console switches.

Shown on the left in Figure 2 are the KVM Conversion Option (KCO) with VGA and PS/2-style mouse and keyboard connections, and the USB Conversion Option (UCO) with VGA and USB connections.

The Virtual Media Conversion Option shown on the right in Figure 2 supports the virtual media capability of the LCM2; however, it does not support chaining. More about virtual media in the heading Virtual Media later in this document.

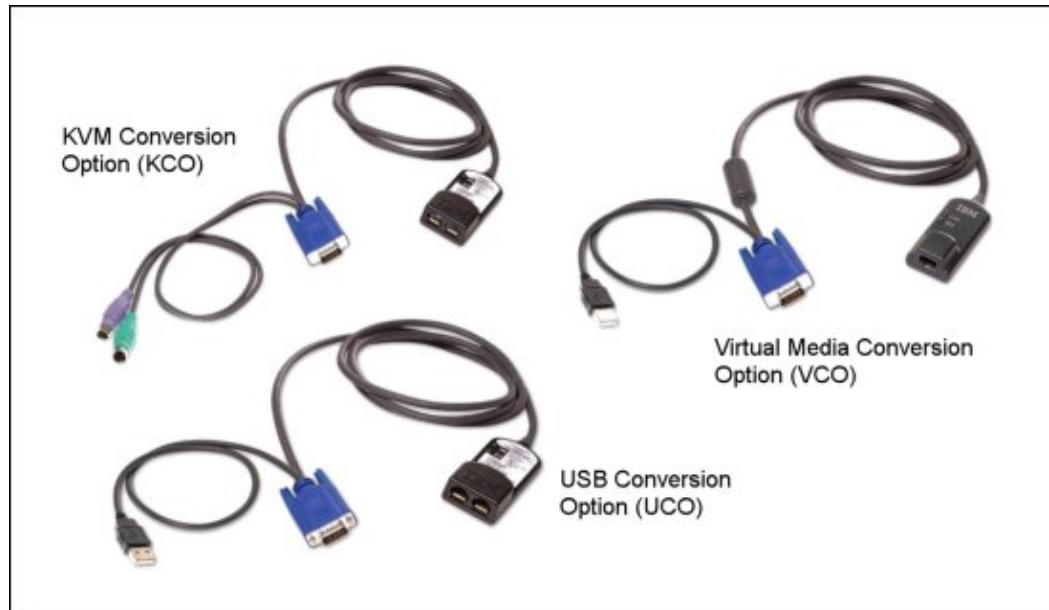


Figure 2. IBM KVM Conversion Option, KCO (top) and IBM USB Conversion Option, UCO (bottom)

The built-in memory of each connection option helps simplify configuration by assigning and retaining unique server identification codes for each attached server. This integrated intelligence enhances security and helps prevent unauthorized access to a server through cable manipulation. The connection option is powered directly from the server, providing Keep Alive functionality even if the server is not powered on.

### OSCAR user interface:

The On-Screen Configuration and Activity Reporting (OSCAR) user interface is the way users access the target

systems. Accessible by default via the Print Screen key, it has menus to configure the switching system and to select computers. You can list target devices by unique name, electronic ID, or port number.

**Security:**

All of these local console switches support the use of a password for access to the target systems. The OSCAR interface enables you to configure a screen saver password; you are prompted for the password after a configurable time-out, when the user logs out, or when the switch is powered on. This prevents unauthorized access to the target systems.

In addition, the OSCAR interface on the 1x8 and 2x16 console switches lets you configure up to four user accounts, and you can specify which target systems each of those accounts can access.

**Firmware updates:**

All of these local console switches can have their firmware updated. The 1x8 and 2x16 console switches enable the updating of firmware via the serial port. The LCM2 lets you update the firmware using a serial port console and a TFTP server using the Ethernet connection. With all of these console switches, once the console switch firmware is updated, the firmware of the Conversion Options can be performed via the OSCAR user interface, either individually or all Conversion Options can all be upgrade simultaneously. Automatic updates of the Conversion Options is also possible.

## Connections

Figure 3 shows the connections on the 2x16 console switch. The 1x8 console switch has identical connections except it only has eight ARI ports, whereas the 2x16 has 16 ARI ports.

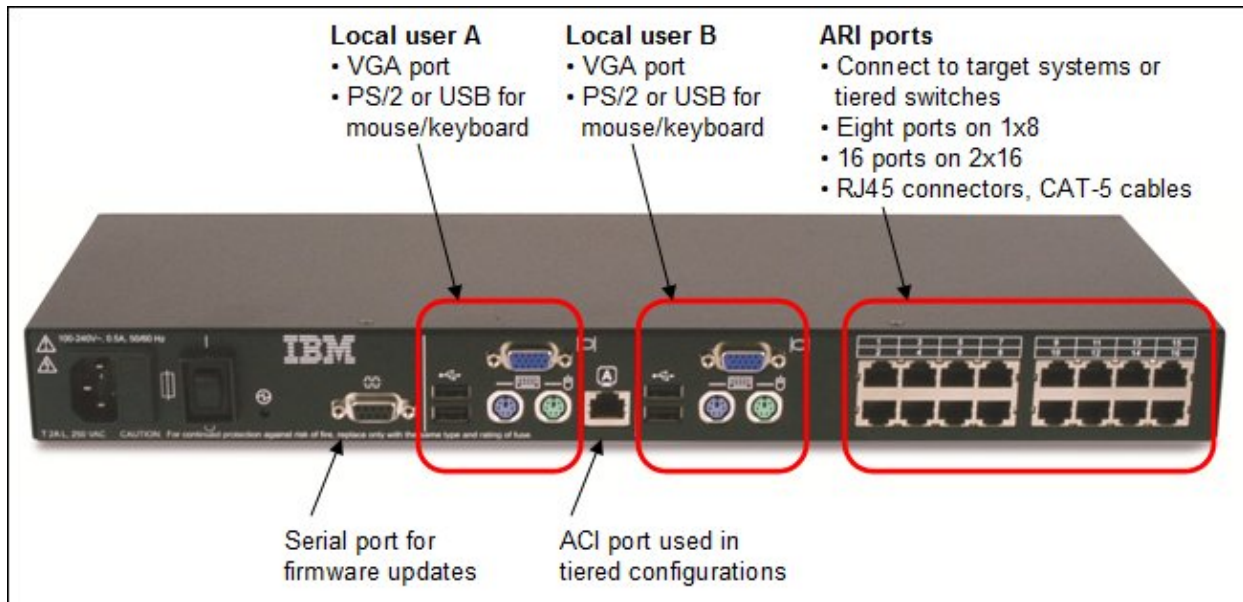


Figure 3. Connections on the 2x16 Console Switch

Figure 4 shows the connections on the LCM2 console switch. The LCM2 offers two extra USB ports for each local user for the virtual media feature plus an Ethernet port for firmware updates.

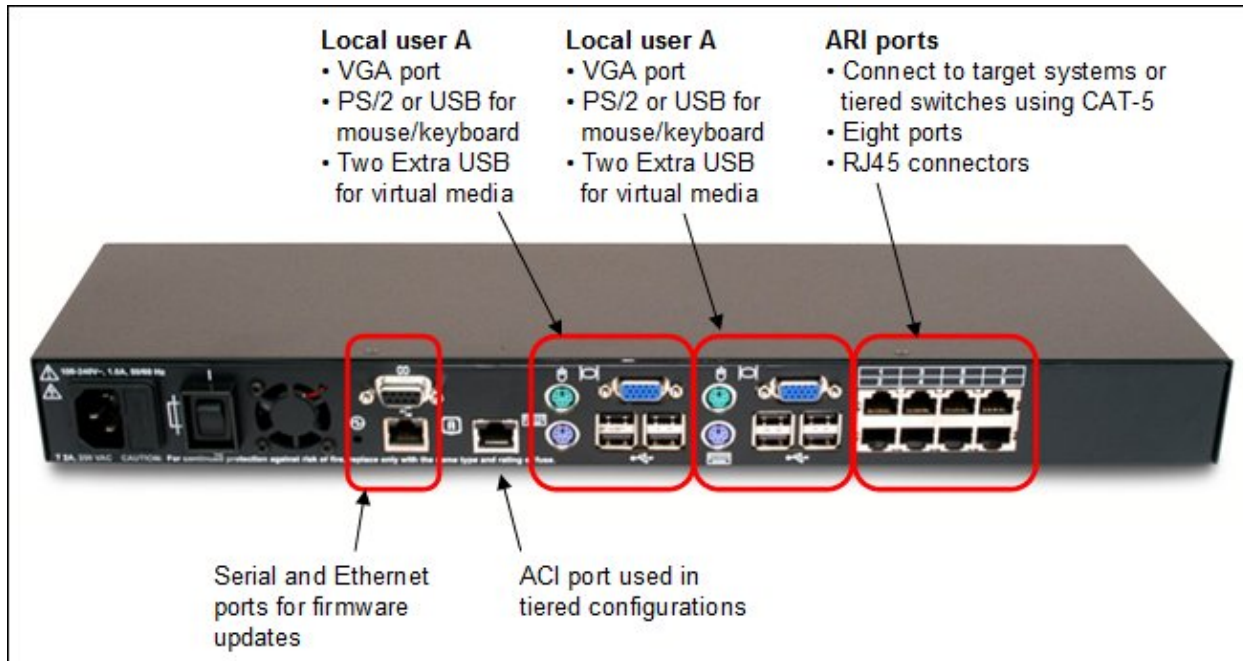


Figure 4. Connections on the LCM2 Console Switch

## Chaining

IBM's cable chaining solution enables users to manage a "daisy chain" of multiple servers through a single connection to the console switch, replacing many long cables with just a few short ones, simplifying rack management, helping lower cabling cost and reducing setup, diagnostic, and maintenance times. The daisy-chain connectivity has the added advantage of thin, flexible, industry-standard CAT5 cabling and standard RJ-45 connectors, eliminating the need for one-to-one, dedicated cable connections between KVM switch ports and managed devices. This cable chaining solution allows up to 16 target systems to be chained together and connected to one port on the switch.

Figure 5 shows an example of chaining three target systems from one port on the console switch. Each conversion option part number includes a CAT-5 cable to connect it to either the console switch or its neighbor conversion option. The console switch includes the terminator needed at the end of the daisy chain.

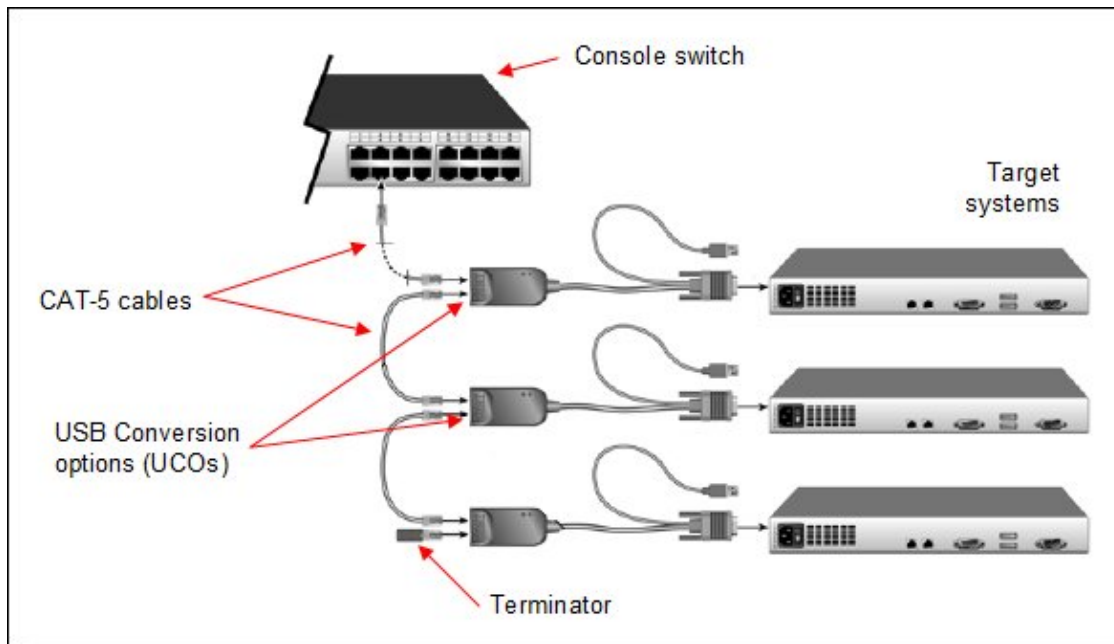


Figure 5. Chaining using USB Conversion Options



## Tiered consoles

You can tier multiple rack console switches to enable access to additional servers. In a tiered system, an ARI port on the main rack console switch connects to the ACI port of a tiered rack console switch (see Figure 3 for locations of these ports). Consider a tiered configuration if you want to manage servers connected to multiple switches from one central location. For example, you could have a primary 2x16 console switch with 16 switches tiered underneath it that all have servers chained on their ports.

Figure 6 shows an example of tiered consoles.

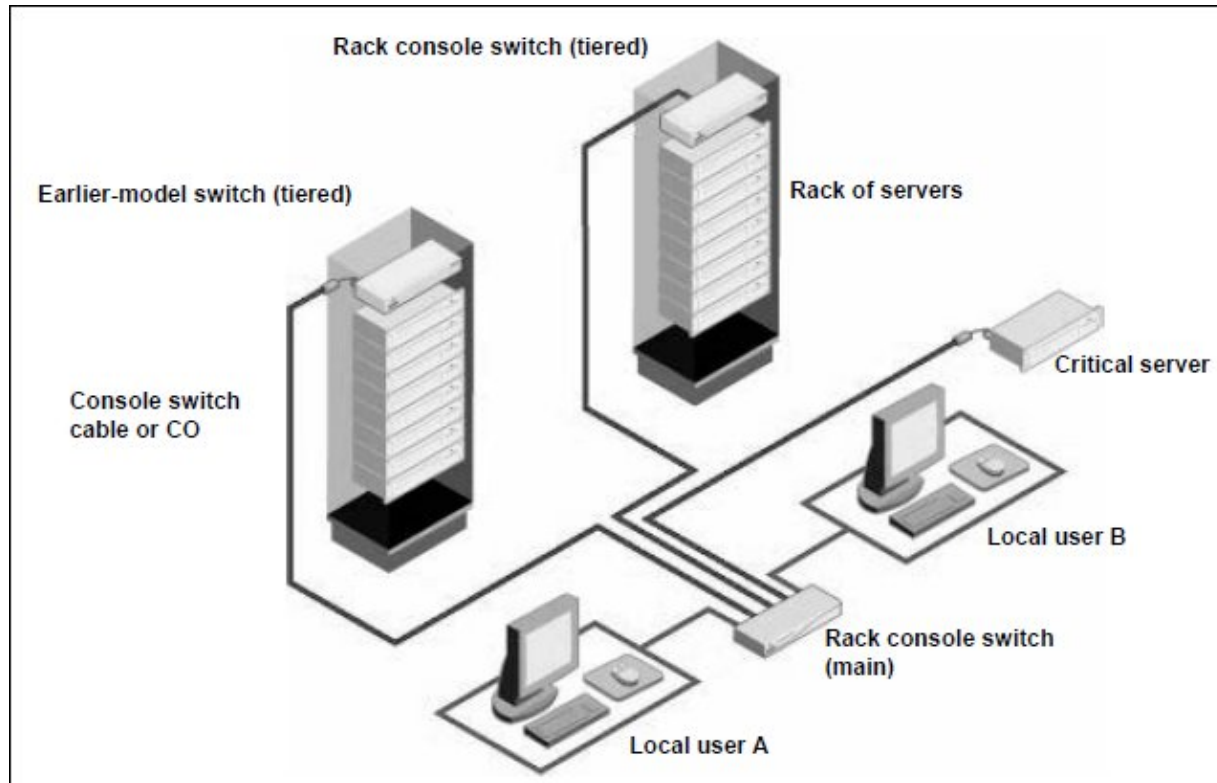


Figure 6. Tiered consoles

Maximum configurations are as follows:

- The 1x8 Console Switch can scale to support up to a total of 128 target systems by connecting additional console switches to each of the 8 ARI ports on the 1x8 switch. Only one level of tiering is supported.
- The 2x16 Console Switch can scale to support up to a total of 256 target systems by connecting additional console switches to each of the 16 ARI ports on the 1x8 switch. Only one level of tiering is supported.
- The LCM2 Console Switch can scale to support up to a total of 512 target systems by connecting additional console switches to each of the 8 ARI ports on the LCM2 switch. One, two, or three levels of tiering are supported.
- When using the IBM GCM console switch as the primary switch in a tiered environment, the KVM switching system can scale to support 2048 target systems

## Virtual Media

The LCM2 supports virtual media when the target systems are connected using the Virtual Media Conversion Option (VCO), part number 39M2894. You can use virtual media support to connect USB 2.0 media devices to the console switch using one of the four USB ports and make those devices available to any connected system. With this feature, you can install software; install, upgrade, or recover the operating system; update the BIOS code; or boot the target system from a USB drive.

Control of how the USB device is connected to the target system is managed through the OSCAR user interface. OSCAR presents the following configuration options:

- **Locked or Unlocked:** In Locked mode, when the user is disconnected from a target system, the virtual media is also disconnected. If Unlocked is selected, then when the user disconnects, the media device is still seen by the target system.
- **Reserved:** By checking this option in the OSCAR user interface, the virtual media connection can be accessed only by your user name and no other user can connect to the virtual media connection.
- **CD-ROM:** Establishes a virtual CD connection to the target system.
- **Mass Storage:** Establishes a virtual mass-storage device connection to the target system.
- **Write Access:** With this option, you can specify whether the target system can write to the USB device (assuming it is writable).

Note that USB ports are assigned to a single virtual media session and cannot be independently mapped. This means you cannot map one USB device to one target system and another USB device to another target system.

## Physical specifications

1x8 and 2x16 console switches:

Height: 43 mm (1.7 inches)  
Width: 432 mm (17 inches)  
Depth: 165 mm (6.5 inches)  
Weight: 3.6 kg (8 lb)

LCM2 console switch:

Height: 43 mm (1.7 inches)  
Width: 432 mm (17 inches)  
Depth: 203 mm (8 inches)  
Weight: 2.6 kg (5.75 lb)

## Warranty

Each console switch has a three-year limited warranty when installed in an IBM rack or used with IBM servers.

## Supported systems

The console switches are supported connected to the IBM BladeCenter chassis listed in Table 3.

Table 3. Supported IBM BladeCenter chassis

I/O module	Part number	BladeCenter S	BladeCenter E	BladeCenter H	BladeCenter T	BladeCenter HT
IBM 1x8 Console Switch	17353LX	Y	Y	Y	Y	Y
IBM 2x16 Console Switch	17354LX	Y	Y	Y	Y	Y
IBM Local 2x8 Console Manager (LCM2)	17351GX	Y	Y	Y	N	Y

The console switches are supported connected to the IBM System x servers listed in Table 4.

Table 4. Supported IBM System x servers

	x3200 M2	x3200 M3	x3250 M2	x3250 M3	x3350	x3400	x3400 M2	x3455	x3500	x3500 M2	x3550	x3550 M2	x3650	x3650 T	x3650 M2	x3655	x3755	x3850 M2	x3950 M2
1x8 Console Switch	N	Y	Y	Y	Y	Y	Y	N	Y	Y	Y	Y	Y	N	Y	Y	Y	Y	Y
2x16 Console Switch	N	Y	Y	Y	Y	Y	Y	N	Y	Y	Y	Y	Y	N	Y	Y	Y	Y	Y
LCM2 Console Switch	Y	Y	Y	Y	Y	Y	Y	N	Y	Y	Y	Y	Y	N	Y	Y	Y	Y	Y

See the IBM ServerProven Web site for the latest compatibility information:

<http://ibm.com/servers/eserver/serverproven/compat/us/>.

## Related publications and links

For more information refer to these documents and Web links:

- IBM Console Switches product page  
<http://www.ibm.com/systems/x/hardware/options/kvm.html>
- Avocent downloads page  
<http://ibm.avocent.com/index.php/home/downloads>
- Installation and User's Guide - 1x8 and 2x16 console switches  
<http://www.ibm.com/support/docview.wss?uid=psg1MIGR-5076639>
- Installation and User's Guide - LCM2 console switch  
<http://www.ibm.com/support/docview.wss?uid=psg1MIGR-62083>
- IBM Redbooks at-a-glance guide for the IBM 1U 17-inch and 19-inch Flat Panel Console Kits  
<http://www.redbooks.ibm.com/abstracts/tips0731.html?Open>
- IBM US Announcement Letter - 1x8 and 2x16 console switches  
<http://ibm.com/common/ssi/cgi-bin/ssialias?infotype=dd&subtype=ca&&htmlfid=897/ENUS107-158>
- IBM US Announcement Letter - LCM2 console switch  
<http://ibm.com/common/ssi/cgi-bin/ssialias?infotype=dd&subtype=ca&&htmlfid=897/ENUS105-438>

## Related product families

Product families related to this document are the following:

- [KVM Switches & Consoles](#)

## Notices

Lenovo may not offer the products, services, or features discussed in this document in all countries. Consult your local Lenovo representative for information on the products and services currently available in your area. Any reference to a Lenovo product, program, or service is not intended to state or imply that only that Lenovo product, program, or service may be used. Any functionally equivalent product, program, or service that does not infringe any Lenovo intellectual property right may be used instead. However, it is the user's responsibility to evaluate and verify the operation of any other product, program, or service. Lenovo may have patents or pending patent applications covering subject matter described in this document. The furnishing of this document does not give you any license to these patents. You can send license inquiries, in writing, to:

Lenovo (United States), Inc.  
8001 Development Drive  
Morrisville, NC 27560  
U.S.A.  
Attention: Lenovo Director of Licensing

LENOVO PROVIDES THIS PUBLICATION "AS IS" WITHOUT WARRANTY OF ANY KIND, EITHER EXPRESS OR IMPLIED, INCLUDING, BUT NOT LIMITED TO, THE IMPLIED WARRANTIES OF NON-INFRINGEMENT, MERCHANTABILITY OR FITNESS FOR A PARTICULAR PURPOSE. Some jurisdictions do not allow disclaimer of express or implied warranties in certain transactions, therefore, this statement may not apply to you.

This information could include technical inaccuracies or typographical errors. Changes are periodically made to the information herein; these changes will be incorporated in new editions of the publication. Lenovo may make improvements and/or changes in the product(s) and/or the program(s) described in this publication at any time without notice.

The products described in this document are not intended for use in implantation or other life support applications where malfunction may result in injury or death to persons. The information contained in this document does not affect or change Lenovo product specifications or warranties. Nothing in this document shall operate as an express or implied license or indemnity under the intellectual property rights of Lenovo or third parties. All information contained in this document was obtained in specific environments and is presented as an illustration. The result obtained in other operating environments may vary. Lenovo may use or distribute any of the information you supply in any way it believes appropriate without incurring any obligation to you.

Any references in this publication to non-Lenovo Web sites are provided for convenience only and do not in any manner serve as an endorsement of those Web sites. The materials at those Web sites are not part of the materials for this Lenovo product, and use of those Web sites is at your own risk. Any performance data contained herein was determined in a controlled environment. Therefore, the result obtained in other operating environments may vary significantly. Some measurements may have been made on development-level systems and there is no guarantee that these measurements will be the same on generally available systems. Furthermore, some measurements may have been estimated through extrapolation. Actual results may vary. Users of this document should verify the applicable data for their specific environment.

© Copyright Lenovo 2024. All rights reserved.

This document, TIPS0730, was created or updated on March 10, 2010.

Send us your comments in one of the following ways:

- Use the online Contact us review form found at:  
<https://lenovopress.lenovo.com/TIPS0730>
- Send your comments in an e-mail to:  
[comments@lenovopress.com](mailto:comments@lenovopress.com)

This document is available online at <https://lenovopress.lenovo.com/TIPS0730>.

## Trademarks

Lenovo and the Lenovo logo are trademarks or registered trademarks of Lenovo in the United States, other countries, or both. A current list of Lenovo trademarks is available on the Web at <https://www.lenovo.com/us/en/legal/copytrade/>.

The following terms are trademarks of Lenovo in the United States, other countries, or both:

Lenovo®

BladeCenter®

ServerProven®

System x®

Other company, product, or service names may be trademarks or service marks of others.